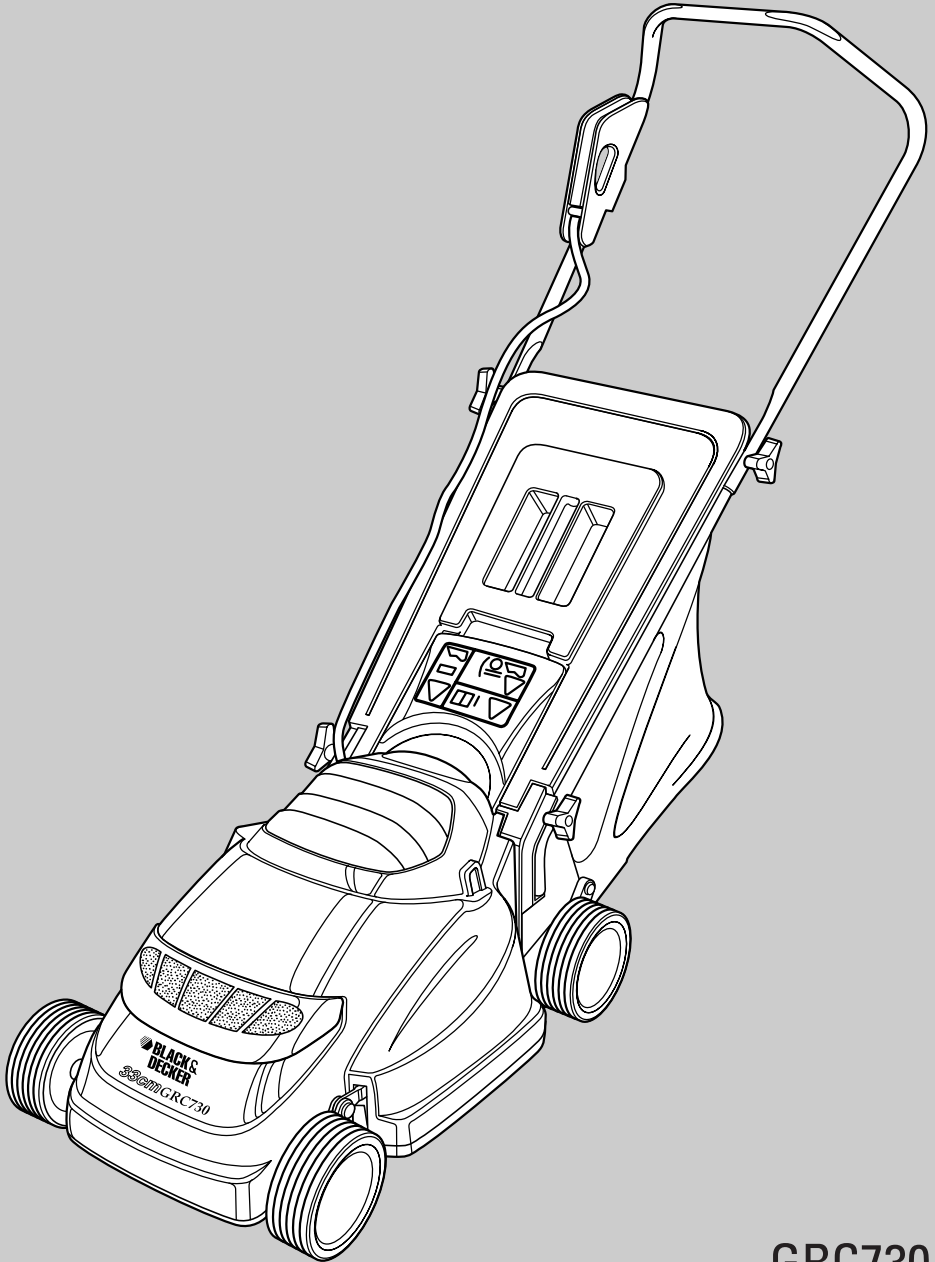
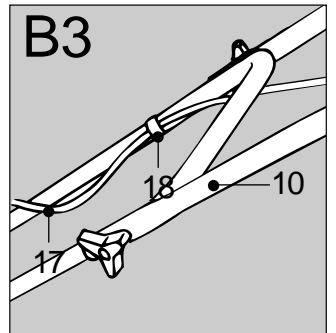
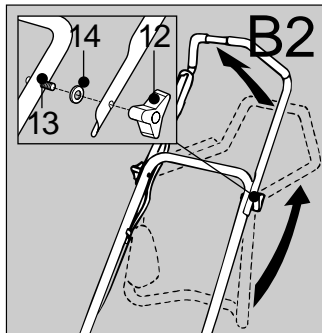
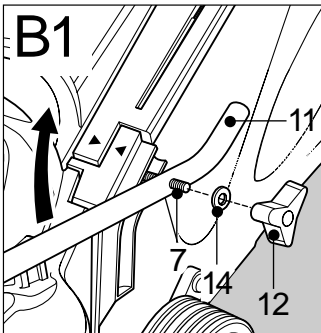
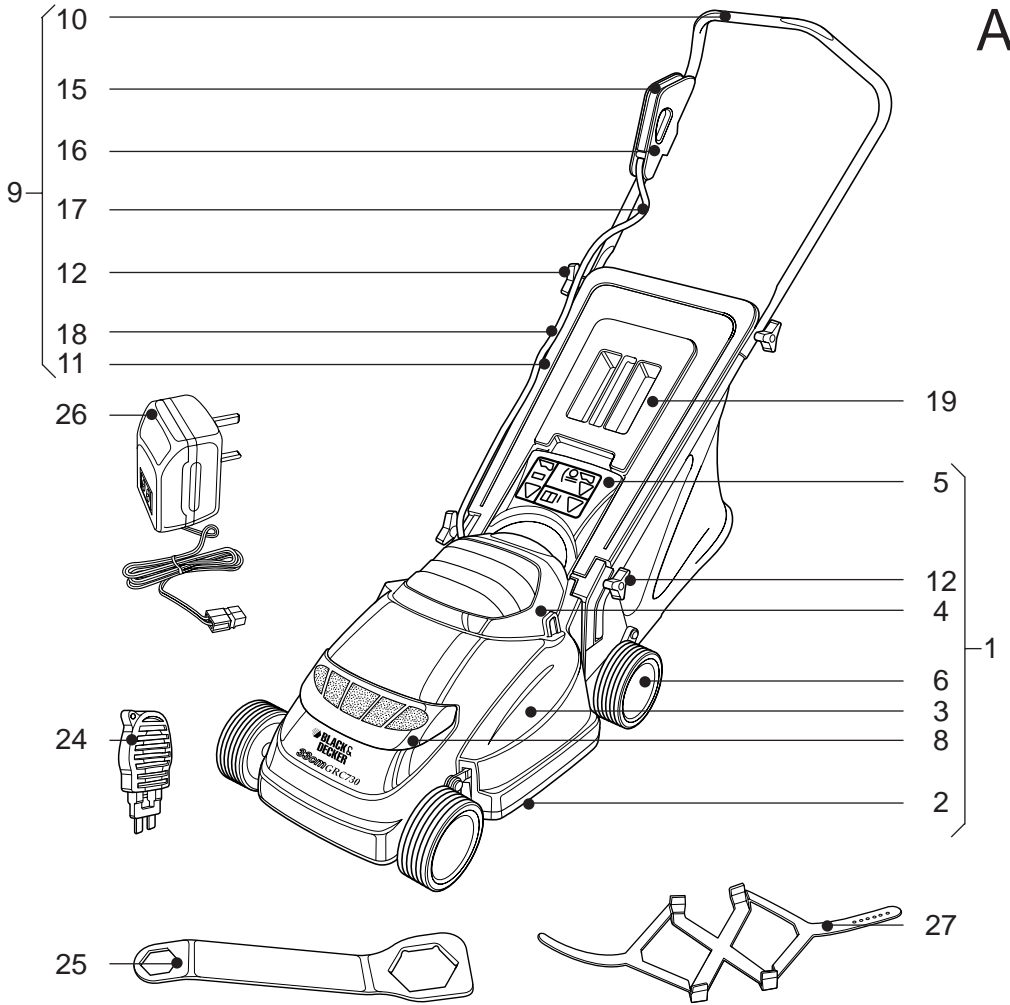


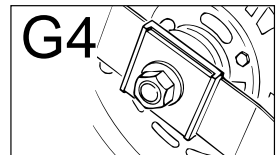
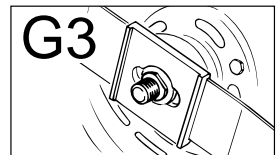
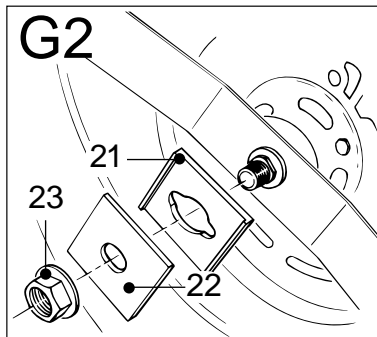
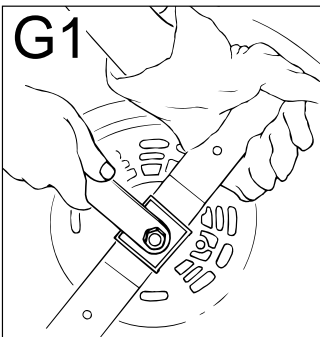
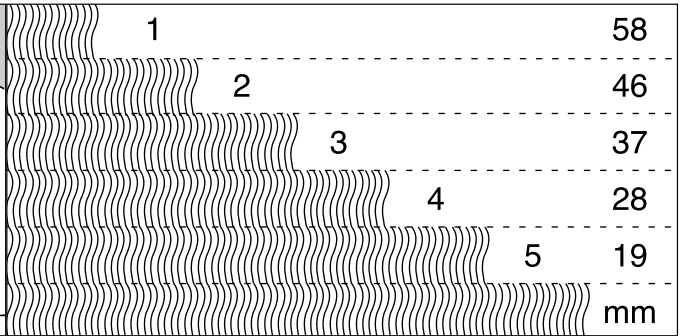
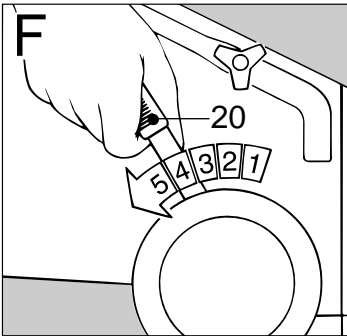
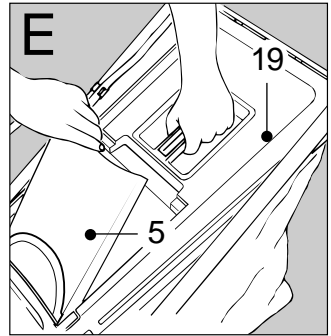
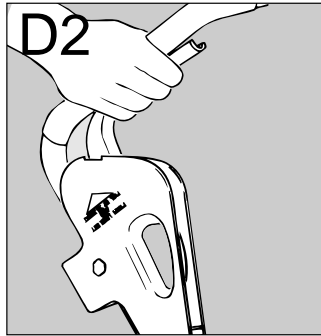
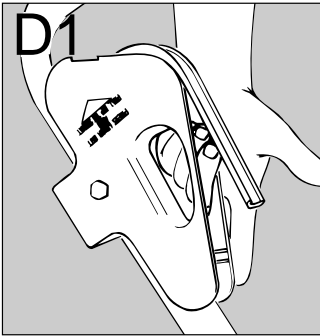
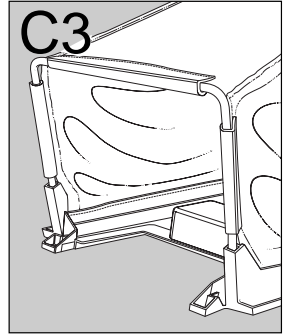
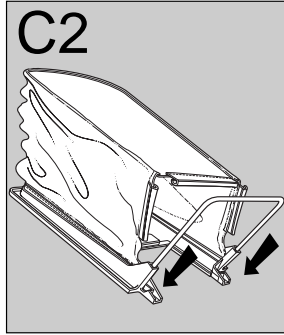
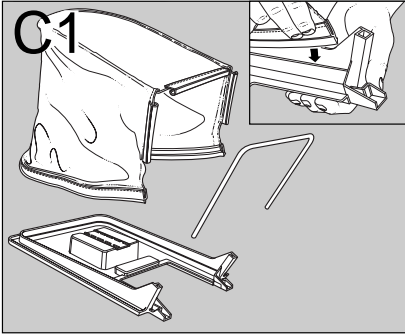
 **BLACK &  
DECKER**®



**GRC730**

A





---

English

---

Italiano

---

Deutsch

---

Français

---

Nederlands

---

Español

---

Português

---

Ελληνικά

---

# Lawnmower

## GRC730

## Instruction manual

This manual provides operating and maintenance instructions for the Black & Decker GRC730 cordless lawnmower.

### Know your machine



Read this manual carefully. Observe all the recommended safety instructions before, during and after using your machine, and maintain your machine in good working order.

Familiarise yourself with the controls on your machine before attempting to operate it, but above all, be sure you know how to stop your machine in an emergency.

Retain this manual and all other literature supplied with your machine for future reference.

### Safety instructions

#### Training

- Never allow children or persons who are unfamiliar with this type of machine to use it, nor anyone who has not read this leaflet.



Do not allow children, animals or other persons near your machine when in use - always keep them at least 6m (20ft) away from the cutting area.

- Remember that the operator/user is responsible for accidents or hazards occurring to other people or their property.

#### Preparation

- To protect your feet, always wear stout shoes or boots - freshly cut grass is damp and slippery.
- Use protective equipment. Wear safety spectacles or goggles whilst mowing. Use a face mask if dusty.
- Do not operate in gaseous explosive atmospheres.
- Do not mow barefoot or in open sandals.
- Wear long trousers to protect your legs - any debris left on the lawn or cutting path may be picked up and ejected by the blades.
- Always be sure your machine is in a safe operating condition.



- Before using your machine, remove safety key and visually check that the blade, blade nut and cutter assembly are not worn or damaged. Damaged blades and worn blade nuts must be replaced. Also check that the blade nut is securely fastened.
- Always check that your lawn or cutting path is clear of all sticks, stones, wire and other debris. Contact with such debris may damage your machine.

#### Operation

- When tilting the handle downwards for starting, do not tilt it more than is absolutely necessary. Always ensure that both hands are in the operating position and feet are well away from the blades before returning the mower to the ground.
- Avoid accidental starting. Ensure switch is off when inserting safety key.
- Release switch lever to turn mower off and remove the safety key:
  - Whenever you leave your machine unattended.
  - Before checking, cleaning or working on the mower.
  - Before clearing a blockage.
  - If the mower starts to vibrate abnormally (check immediately).
  - After striking a foreign object. Inspect the mower for damage and make repairs as necessary.
- Never run the unit whilst on its' side or attempt to stop the blade - always allow it to stop on its own.
- Do not put hands or feet near or under rotating parts.
- Keep clear of discharge openings at all times.
- Start your machine carefully according to the instructions and with your feet well away from the blades.
- Avoid using the machine during rain and avoid wet grass if possible.
- Mow only in daylight or good artificial light.
- Do not pull your machine towards you or walk backwards when mowing.
- Do not cross gravel paths or roads whilst the blade is rotating.

- Always be sure of your footing, particularly on slopes.
- Always mow across the face of slopes, never up and down. Exercise extreme caution when changing direction on slopes.
- Do not cut excessively steep slopes and always wear non-slip footwear.
- Check the grassbag frequently for wear or damage, and replace if necessary.
- Walk, never run. Do not force the mower.
- Never pick up or carry your mower while the motor is running. Ensure the blades have stopped rotating when tilting for transporting the mower to and from the area to be mowed.
- When transporting your unit, always remove the safety key, adjust the cut height setting to a mid position and take extreme care when lifting.
- Never operate the mower with defective guards or shields.

### Maintenance and storage

- Store your machine in a dry place when not in use, remove the safety key and place out of the reach of children.
- Do not use solvents or cleaning fluids to clean your machine - use a blunt scraper to remove grass and dirt. Always remove the safety key before cleaning.
- Do not charge or store the unit outdoors.
- Do not operate your machine if any parts are defective; discard all defective parts and fit new parts before use.
- Replace worn or damaged parts for safety.
- Keep all nuts, bolts and screws tight to be sure your mower is in a safe working condition.
- Use only Black & Decker recommended replacement parts and accessories.

- Rechargeable 12V battery - provides reliable power that will cut approx. 300m<sup>2</sup>.
- Easy to start - starts first time every time.
- Specially designed switch box (16) and safety key (24) to prevent accidental starting of the mower.
- Ergonomically designed upswept handle for comfortable use and ease of pushing (10).
- A blade brake (autostop) for added safety - stops the blade from rotating within 3 seconds once the switchbox lever is released.
- Large handle wing nuts for easy assembly and storage.
- Single lever height of cut adjustment for quick and easy operation (20).
- Five height of cut positions which provides the flexibility to deal with most grass conditions.
- The in line wheels allowing cutting right up to the edge of the lawn.
- Large capacity grass bag (30 litres) for longer cutting periods (19).
- Easy grassbag removal.
- Smooth bottom deck design giving you a better cut performance and an improved quality of cut.
- Tough, durable plastic deck which will not rust and contributes to low noise and low vibration.
- Rear roller (UK only) which produces the traditional, striped effect on the lowest height of cut.
- Powerful and efficient 12V permanent magnet motor which gives effective cutting and bagging in all reasonable conditions and a low noise level.
- The GRC730 will have a run time under average cutting conditions of approximately 300m<sup>2</sup>. This run time will vary upwards and downwards dependant upon grass conditions, cut height used and push speed.

Black & Decker policy is one of continuous improvement to their product and as such they reserve the right to change product specification without prior notice.

### Features (Fig. A)

**A** Your purchase of the Black & Decker GRC730 lawnmower gives you a product combining quality with modern design and the following features, to provide safe, efficient and easy mowing.

- Cordless - there is no need for extension cables while mowing.
- Gasless - there is no need for petrol and oil to buy, mix, store or transport.
- Clean - there are no emissions, the mower is environmentally friendly.

---

## Unpacking and assembly

Your mower carton contains:

- The mower and handle assembly.
  - One hardware bag containing:
    - Two safety keys (24).
    - Instruction literature.
    - Blade nut spanner (25).
  - Charger (26).
  - Battery strap (27).
  - One grassbag assembly (19) - see below for assembly instructions.
- 

## Handle assembly (Fig. A & B)

**A** Remove the contents of the carton and familiarise yourself with the individual parts of the mower.

The main parts of the mower shown in Fig. A are as follows:

- Machine body (1):
  - Cutter deck (2)
  - Motor cover (3)
  - Battery cover (4)
  - Grass flap (5)
  - Wheel assembly (6)
  - Pivot pin (7)
  - Grill (8)
- Handle (9):
  - Upper handle (10)
  - Lower handle (11)
  - Handle knob (12)
  - Switch lever (15)
  - Switch box (16)
  - Electric cable (17)
  - Retaining clips (18)

• The lower handle (11) comes ready assembled to the mower body.

**B1** • All that is required is to unfold the handle by lifting it until the handle ends snap into their locations on the sides of the mower. Once this is complete the knobs (12) can be tightened.

**B2** • The upper handle (10) is assembled by fitting the bolts (13) through the holes in the lower handle, aligning the upper handle over these and securing with a washer (14) and then the knob (12).

- Tighten each one with hand pressure only. Do not use a spanner.

**B3** • When both handles are assembled, fit one cable clip (18) onto the upper handle and one onto the lower handle. Clip the cable into these ensuring the grassbox can be removed and positioned freely.

---

## Grassbag assembly (Fig. C)

**Note:** Ensure the battery is disconnected.

Read the safety instructions at the beginning of this manual before using this accessory.

**C1** • Before starting to assemble the grassbag, check that the parts are similar to those shown in Fig. C1.

- Secure the grassbag by inserting the bag rim into the channel and pushing down firmly until the clip feature locks onto the bag rim (inset).

**C2** • Push the support frame firmly into place.

**C3** • Assemble the two side clips to the support frame, then assemble the bottom clip.

---

## Battery information

- The battery in your cordless lawnmower is a 12 volt sealed lead acid system. The battery employs an absorbed electrolyte and, can therefore, be stored in any position without fear of leakage.
- **The battery has been charged at the factory, however, it will be necessary to recharge the battery to ensure full charge before initial use.**
- For optimal performance the battery should be recharged after each use.
- For winter storage ensure:
  - The mower is fully charged before storing.
  - The temperature of the storage location is below 25°C.
  - Storage duration is less than 6 months.
- Always store your mower in a dry and cool location.
- Keep the mower and battery away from water, heat sources (such as radiators, heaters, stoves etc.), flames or chemicals.

## Battery strap

- Locate the battery and its carrying strap.
- Fold the sides of the strap up and put the battery in place.
- Click the straps together ensuring you locate every hole.
- The strap should be kept on the battery at all times.

## Charging instructions



- Always charge your mower indoors in a well ventilated area, where it is dry and protected from the weather.
- Charge mower in a location where the temperature is more than 5°C (41 F) and below 40°C (104°F).



**Warning!** Do not attempt to charge non-rechargeable batteries.

### To charge

- The battery on your mower can be charged on the mower or can be removed and charged away from the mower if a mains socket is not at hand.

### To charge the battery ON the mower

- Remove the safety key (24) and store in a safe place away from children.
- Open the battery cover (4) by pressing in the lock symbols at each side of the cover and hinge upwards.
- Disconnect the battery lead (red and black) by pulling it from the socket at the side of the battery recess.
- The red and black socket of the charger is then connected to the red and black socket of the battery.

**Note:** The charger socket will fit one way only.

- Connect the charger to the mains socket and switch on.
- The red indicator on the charger will turn on. This indicates that the battery is being charged.
- When the battery becomes charged, normal time 24 to 30 hours, the red light will go out and the green light will turn on.
- It is safe to leave your battery on charge until ready to use.
- Disconnect the charger from the battery and connect the battery to the socket on the mower.
- Your mower is now ready for use.

### To charge the battery OFF the mower

- Remove the safety key and open battery cover as described above and disconnect the battery.
- Lift out battery out of the mower using the carry handle.
- Charge as described above.
- After charging, replace in mower and connect to the mower socket.

## ENGLISH

### Important!

**Recharge mower to a full charge immediately after use.**

In order to get maximum performance from your mower with maximum battery life, it is important that you recharge the battery immediately after each use. Battery failure will occur if the mower is stored without having a full charge.

**Recharge mower to a full charge for winter storage.**

When preparing your mower for winter storage, it is important that it is recharged. Battery failure will occur if the mower is stored without having a full charge.

### Battery disposal

When the mower's battery requires replacing discharge the energy from the battery by running the mower until the motor stops. Remove the battery from the mower .



**Warning:** The battery may still have some residual charge even after the motor stops. It is therefore necessary to protect against accidental short circuit of the battery terminals with uninsulated tools or materials of a conductive nature, such as, but not limited to steel wool or aluminium foil.

Batteries must be disposed of in a responsible manner.



This symbol indicates the lead acid battery contained within this unit must be disposed of properly and not discarded in everyday household waste which may be disposed of in an incinerator or landfill site.



Lead acid batteries can be harmful to the environment and can explode when exposed to fire. **Do not incinerate.**

The battery should be taken to a Black & Decker service centre, your local dealer or your local recycling station. If necessary, contact your local authority for disposal information.

If the cutting performance begins to deteriorate, please refer to the "Fault finding" guide.



**Warning!** Do not cross battery leads when installing a new battery as this will cause the blade to run in reverse until battery is discharged. When you attempt to recharge the battery, the charger circuit will be destroyed as soon as you connect the charger plug.



## How to use your machine (Fig. D & E)



**Important! Always observe all the relevant warnings when using your machine.**

**Warning!** Never attempt to operate your machine with one hand. You must guide your machine with both hands.



### Safety key

- In order to prevent accidental start-up or unauthorised use of your cordless mower, a removable safety key has been incorporated into the design of your mower. The mower will be completely disabled when this safety key has been removed from the mower.

**Note:** The safety key has a hole in the centre to allow for storage on a hook, out of the reach of children.



**Warning!** Always remove the safety key from mower when leaving it unattended, even for a short period of time.

- Your safety key will be found in the parts pack (plus one spare).

### Starting

- Remove tie wrap from switch lever prior to first use.
- Insert the safety key into position and push fully home.
- Tilt the handle downwards to slightly raise the front of the mower to reduce the risk of lawn damage whilst starting.
- Your mower is equipped with a special on/off switch lever. The switch lever is recessed within the switch housing to prevent turning the mower on accidentally.

To operate the switch, insert your finger into the opening and push the lever out so that you can pull it with your other hand.

D2

- Pull the lever back against the mower handle and hold in this position to keep the mower running.
- To turn the mower off, just release the lever. The spring-loaded “snap-action” lever will relocate itself back into its original position inside the switch housing.

When you have finished using your machine we recommend that you clean all debris from it before putting it away. It is important to remove the safety key before cleaning. Please refer to the “Care and maintenance” section.

**Note:** To obtain the best results cut your lawn or grassed area regularly and do not cut when the grass is wet.

E

If, when grasscutting, loose grass is seen to be scattered from beneath the mower, the grassbag is probably full and should be emptied.

### Fitting the grassbag to the unit

- Hold the grassbag top (19) by its handle.
- Lift the grassflap (5), then guide the grassbag through the lower handle tube and fix to the rear of the unit by lining up the arrows marked ↓ on the cutter deck and grassbag top.
- Finally, when this is complete, gently release the grassflap (5) and it will return to sit onto the location area of the grassbag top (19).

### Removing the grassbag

The full grassbag may be removed by raising the grassflap (5) and then lifting the grassbag up and through the lower handle.

## Height of cut adjustment (Fig. F)



**Warning!** Remove safety key before making any adjustments and give the blade time to stop rotating; cutting blades are sharp.

F

- By moving the height of cut adjuster (20) at the rear of your machine outwards from the mower body and then up or down as required, the height of cut can be varied to give 5 positions.

**Note:** The 5 position height of cut adjuster is under tension when in the engaged position. It has to be sprung outwards to move it from one height setting to another and will spring back automatically into position when released.

- Settings 1, 2 and 3 are suitable for course or overgrown grass. Settings 4 and 5 should be used for maintaining cultivated lawns. Setting 5 should only be used if a very short cut is desired.

### UK only

- To produce a stripe effect on your lawn, simply adjust the height of cut to its lowest position, setting 5, which will bring the roller into contact with the grass. The roller may be removed for cleaning by levering out one end to release the axle from its clip.

## Maintenance of blades

The steel blade is designed to give a fine finish in long or tough grass.

If, however, because of damage or wear the cutting performance deteriorates, then the mower may require a new blade, or at least the existing blade to be sharpened.

We recommend that the steel blade is sharpened or a new blade fitted at the beginning of the season.

Replacement blades **A6157** are available from Black & Decker dealers and service centres.



**Warning!** When fitting a new blade use only the Black & Decker replacement part specified for your machine - do not attempt to fit any other blade.

## Fitting new blade (Fig. G)



Observe all the relevant warnings before changing the blade.



**Warning!** Remove safety key before changing the blade.

- G1**
- Turn your machine over on its side so that the underside of the cutter deck is exposed.
  - Wear gloves to protect hands.
  - Using a cloth placed over the blade or heavy duty gloves to protect your hands, grip the blade and, using the spanner provided, loosen and remove the nut from the motor spindle. Turn the nut in an anti-clockwise direction to loosen it.
- G2**
- Remove nut (23), square washer (22), clutch plate (21) and blade.
  - To replace blade ensure the cutting edges of the blade are closest to the ground and place blade onto the combined mount.
- G3**
- Place the clutch plate over the shoulder of the combined mount protruding through the blade. Ensure to align the inside edges with the outside edges of the blade.
- G4**
- Place the square steel blade spacer on the motor shaft aligning the inside flats with the shaft and engaging the outside edges with the plastic clutch plate. Engage nut on shaft and turn it clockwise to tighten.
  - Ensure that removed parts are replaced correctly before use, incorrect assembly may result in damage to your mower and reduced cutting performance.

**Note:** This unit is fitted with a clutch plate (24), between the blade nut and the blade, which must be assembled correctly at all times. Damaged blade assembly parts must be replaced before use.

## Overload protection

Your machine is fitted with overload protection.

If you work too quickly in long grass, or in heavy cutting conditions, you may overload the motor. This will be indicated by a significant drop in speed, and eventually, the overload protection will operate. This is not a fault but a safety device to protect your machine.

When this occurs, remove the safety key and wait for 1 to 2 minutes to allow to cool, clear any blockage ensuring the blade is free to rotate. To restart, replace the safety key and operate the switch lever.

If the cut-out operates again within 10 minutes, you should increase the height of cut (see "Height of cut adjustment").

Severe overloading may result in a longer delay on restarting. In such cases, after resetting, you should allow the motor to cool.

To obtain the best results:

- Cut the grass regularly.
- Do not cut wet grass.
- When the grass is longer than 10cm (4 inches), it is advisable to go over the lawn on a high cut setting and then finish using a lower setting.

## Care and maintenance

The advice given in this section covers the general care and maintenance of the main body of your mower. Advice relating to the blades is given in "Maintenance of blades". Advice relating to the maintenance and storage of the battery is given in "Battery information".

- Always keep your machine clean and free from grass cuttings, especially the underside of the cutter deck and the air vents.
- At the end of each cutting session we recommend that the build up of grass on the underside of the cutter cover is removed using a blunt scraper, the spanner included with this mower may be used for this purpose.
- Clean all plastic components with a damp cloth.
- **Caution!** Do not use solvents or cleaning fluids as these may damage the plastic components of your mower.

---

## Fault finding

If your mower does not operate correctly, use the following table to locate the problem.

Problem	Solution
Mower does not run when switch lever is activated	(a) Check to make sure safety key has been inserted correctly. (b) Remove the safety key, turn mower over and check that the blade is free to turn. (c) Has battery been fully charged? Plug in charger and wait for green light to come on.
Mower stops when mowing	(a) Remove safety key. Turn mower over and check that blade is free to turn. (b) Raise cutting height of wheels and start mower. (c) Has battery been fully charged. Plug in charger and wait for green light to come on. (d) Check that safety key has not fused. Replace if necessary.
Mower runs but cutting performance is unsatisfactory	(a) Has battery been fully charged? Plug in charger and wait for green light to come on. (b) Battery may need replacing. Refer to 'Battery disposal' section.
Mower is too hard to push	(a) Raise cutting height to reduce drag on grass. Check each wheel for ease of rotation.
Mower is abnormally noisy and vibrates	(a) Remove safety key. Turn unit on its side and check blade for damage. If damaged replace with Black & Decker replacement blade. (b) If there is no visible damage to the blade or underside of the mower return to your local service centre or authorised dealer.



**Warning!** Always remove safety key before carrying out any inspection.

---

## Black & Decker lawn and garden guarantee

This guarantee provides 36 months parts cover and 12 months labour. Proof of purchase will be required.

If your Black & Decker product becomes defective, within the guarantee period, due to faulty materials and workmanship, we guarantee to either replace all defective parts, or at our discretion, replace the unit free of charge, provided that:

- The product is returned to us or our authorised repairers with evidence of purchase.

- The product has been used within the parameters of its consumer classification.
- The product has not been used for hire purposes.
- Repairs have not been attempted by anyone other than authorised repairer agents.
- The failure represents normal wear and tear.

This guarantee is offered as an extra benefit and is additional to your statutory rights.

---

## What to do if your Black & Decker product needs repair

If your Black & Decker product should need repair the quickest and simplest way is to take or send it back to a Black & Decker authorised repair agent, providing proof of purchase if a guarantee repair is required.

If you have any difficulty, please contact our service and information centre (tel: 0345 230230) who will give you every assistance.

---

## Our guarantee policy

Failures due to the following are not covered:

- Replacing worn or damaged blades, nylon line and chains, or cables damaged during storage or use. These are regarded as replacement items which wear during normal usage.
- Failures as a result of sudden impact or obvious abuse.
- Failures due to usage not in accordance with instructions and recommendations contained in the instruction manual.

**The use of other than genuine Black & Decker accessories and parts may damage or reduce the performance of you Black & Decker product and may render the guarantee void.**

---

## Black & Decker after sales service

If you need any help or advice please contact your local Black & Decker authorised repair agent. A full directory is printed on the reverse of the parts drawing included with your mower.

---

## Other Black & Decker products

Black & Decker has a full range of outdoor power tools that make life easy in the garden. If you would like further information on the following products, please contact Black & Decker service information centre at the address on the back cover, or contact your Black & Decker stockist.

<b>Lawnmowers</b>	<b>Hedge trimmers</b>
<b>Grass trimmers</b>	<b>Chainsaws</b>
<b>Lawnrakers</b>	<b>Compost shredder</b>
<b>Leafbuster</b>	

**EC Declaration of Conformity**

We declare that unit: **GRC730**  
conforms to 89/392/EEC, EN55104,  
89/336/EEC, 73/23/EEC, EN60335, EN55014

A weighted sound pressure @ 4m 80dB (A)

A weighted sound power 91dB (A)

Hand/arm weighted vibration  $<2.5\text{m/s}^2$



Brian Cooke


Director of Engineering  
Spennymoor, County Durham DL16 6JG, United Kingdom

# Tosaerba GRC730

## Manuale d'istruzioni

Questo manuale contiene istruzioni di utilizzo e manutenzione per tutti i tosaerba a batteria della gamma Black & Decker GRC730.

### Conoscete la vostra macchina

 Leggete attentamente tutte le istruzioni contenute in questo manuale prima e dopo aver utilizzato la macchina, rispettando le norme di sicurezza e seguendo le avvertenze per una sua corretta manutenzione.

Prima di utilizzare l'utensile, prendete confidenza con la posizione dei comandi ed assicuratevi di essere in grado di spegnere la macchina immediatamente in caso di emergenza.

Tenete con cura il presente manuale per qualsiasi futura necessità.

### Norme antinfortunistiche

#### Addestramento

- Non lasciate mai che bambini o persone non familiari con questo tipo di macchina o che non abbiano letto il presente manuale possano usare l'utensile.



Non lasciate avvicinare bambini o animali o altre persone mentre state usando la macchina - fateli sempre stare ad almeno 6 metri di distanza dalla zona di taglio.

- Ricordate che l'operatore è legalmente responsabile di eventuali danni o ferimenti a terzi.

#### Preparazione

- Per proteggere i vostri piedi portare sempre scarpe protettive e antidrucolo - l'erba appena tagliata è umida e scivolosa.
- Durante l'utilizzo portate occhiali protettivi o maschere in caso di molta polvere.
- Non lavorate in ambienti gassosi o esplosivi.
- Non lavorate a piedi nudi o con sandali aperti.
- Portate pantaloni lunghi per proteggere le vostre gambe da eventuali sassi o detriti scagliati dalle lame.
- Assicuratevi che la vostra macchina sia sempre in buone condizioni operative.



- Prima di usare la macchina, togliete la chiave di sicurezza e controllate che la lama, il suo dado e tutta la zona di taglio non siano danneggiati o usurati. Lame danneggiate o usurate devono essere sostituite. Assicuratevi anche che il dado fissa- lama sia ben stretto.
- Assicuratevi che il terreno da tagliare sia libero da legni, sassi, cavi o altri detriti che potrebbero danneggiare la macchina o essere scagliati dalla lama.

#### Utilizzo

- Per avviarsi al taglio non inclinate mai l'impugnatura più di quanto non sia assolutamente necessario. Prima di appoggiare il tosaerba al terreno assicuratevi che entrambe le mani siano in posizione di lavoro e i piedi ben lontani dalla lama.
- Evitate accensioni accidentali. Assicuratevi che l'interruttore sia sulla posizione di spento prima di inserire la chiave di sicurezza.
- Per spegnere la macchina, rilasciate la leva interruttore e togliete la chiave di sicurezza ogni volta che:
  - Lasciate la macchina incustodita.
  - Prima di controllare o lavorare sulla macchina.
  - Prima di rimuovere un ostacolo che la blocchi.
  - Il tosaerba cominci a vibrare in modo anomalo (controllate subito).
  - Veniate a contatto con un oggetto, ispezionate la macchina e procedete a riparare se necessario.
- Non accendete mai la macchina posta su un fianco e non tentate mai di fermare la lama - lasciate sempre che si fermi da sola.
- Non mettete le mani o i piedi vicino o sotto parti in movimento.
- State sempre alla larga dalle aperture di scarico.
- Accendete la macchina con attenzione secondo le istruzioni e tenendo i piedi ben lontani dalla lama.
- Evitate di usare la macchina sotto la pioggia ed evitate erba bagnata se possibile.

- Lavorate solo con luce solare o in buona luce artificiale.
- Durante il lavoro non tirate la macchina verso di voi e non camminate all'indietro.
- Non attraversate viottoli sassosi o strade con la lama in movimento.
- Mantenete sempre un buon equilibrio particolarmente su pendii.
- Lavorate sempre di traverso a pendii, mai dall'alto al basso. Fate attenzione ai cambi di direzione.
- Non lavorate su pendii troppo ripidi e portate sempre scarpe antiscivolo.
- Controllate frequentemente sul sacchetto eventuali segni di usura o danni e sostituitelo se necessario.
- Non usate mai la macchina senza il sacchetto montato.
- Camminate, non correte. Non forzate la macchina.
- Non sollevate o trasportate la macchina con il motore acceso. Assicuratevi che le lame si siano fermate prima di rovesciare o trasportare la macchina.
- Durante il trasporto, rimuovete sempre la chiave di sicurezza, regolate la profondità di taglio ad una altezza media e sollevate la macchina con estrema attenzione.
- Non utilizzate la macchina con difese danneggiate.

### Cura della macchina

- Riponete la macchina non in uso in un luogo asciutto e lontano dalla portata dei bambini.
- Non usate solventi o altri composti chimici per pulire la macchina. Usate uno scalpello non affilato per rimuovere la terra e l'erba. Prima di pulire la macchina scollegate sempre la spina.
- Non ricaricate o riponete la macchina all'aperto.
- Non utilizzate la macchina con parti difettose. Sostituite sempre le parti difettose prima di lavorare.
- Sostituite parti danneggiate o usurate.
- Mantenete i dadi e le viti ben stretti.
- Usate solo parti ed accessori originali Black & Decker.

caratteristiche che assicurano un lavoro sicuro, facile ed efficiente.

- Senza filo - non occorrono prolunghe durante il lavoro.
- Senza carburante - non serve acquistare, miscelare e conservare benzina e olio.
- Pulizia - non ci sono emissioni di alcun tipo. La macchina è ecologica.
- Batterie a 12V ricaricabili - offrono potenza affidabile che può durare per circa 300 metri quadri di taglio.
- Facile da accendere - parte al primo colpo ogni volta.
- Scatola interruttore (16) appositamente disegnata con chiave di sicurezza (24) per prevenire accensioni accidentali.
- Impugnatura a design ergonomico per un utilizzo comodo e per facilità di conduzione (10).
- Freno lama (autostop) per ulteriore sicurezza. La lama si ferma entro 3 secondi dal rilascio della leva interruttore.
- Galletti di fissaggio di grandi dimensioni per un montaggio più semplice.
- Regolazione altezza di taglio con una sola leva per utilizzo rapido e semplice (20).
- 5 posizioni di altezza di taglio che consentono di affrontare le più diverse condizioni di erba.
- Le ruote in linea che consentono di tagliare proprio fino ai bordi.
- Sacchetto raccogli-erba di grandi dimensioni (30 litri) per lunghi periodi di taglio (19).
- Sacchetto facilmente smontabile.
- Piano inferiore disegnato in modo da offrire le massime prestazioni di taglio e ottime finiture.
- Corpo in plastica robusto e durevole che non arrugginisce e che consente di contenere il rumore e le vibrazioni.
- Motore a magnete permanente a 12V, potente ed efficiente per ottimi risultati di taglio e raccolta, in condizioni normali, a bassa rumorosità.
- In condizioni di taglio medie la durata di funzionamento del GRC730 corrisponde a circa 300m<sup>2</sup>, valore che può aumentare o diminuire in base alle condizioni

### Caratteristiche (Fig. A)

A

L'acquisto di questo tosaerba Black & Decker GRC730 vi offre un prodotto che combina qualità con un design moderno e le seguenti

dell'erba, all'altezza di taglio impiegata e alla velocità di spinta.

Black & Decker si riserva di innovare o modificare le specifiche dell'utensile senza previo avviso.

## Imballo e assemblaggio

Il cartone contiene:

- Il tosaerba e i componenti impugnatura.
- Una borsetta per attrezzi contenente:
  - 2 chiavi di sicurezza (24).
  - Manuale istruzioni.
  - Chiave per flangia (25).
- Caricabatteria (26).
- Staffa della batteria (27).
- Componenti sacchetto raccoglierba (19) - le istruzioni per il montaggio sono riportate di seguito.

## Assemblaggio Impugnatura

**A** Estrarre il contenuto dell'imballo e identificare i singoli componenti del tosaerba.

La Fig. A illustra i componenti principali della macchina qui di seguito riportati:

- Corpo macchina (1):
  - Coprilama (2)
  - Carter motore (3)
  - Coperchio batteria (4)
  - Deflettore erba (5)
  - Gruppo ruota (6)
  - Perno (7)
  - Griglia (8)
- Manico (9):
  - Manico superiore (10)
  - Manico inferiore (11)
  - Manopola sul manico (12)
  - Leva di comando (15)
  - Gruppo comandi (16)
  - Cavo elettrico (17)
  - Serracavo (18)
- Il manico inferiore (11) viene fornito montato sul corpo del tosaerba.

**B1** • E' sufficiente aprire e sollevare il manico finché le sue estremità scattano in posizione negli alloggiamenti laterali del tosaerba. Al termine dell'operazione, stringere le manopole (12).

**B2** • Per il montaggio del manico superiore inserire i bulloni (13) nei fori del manico inferiore, allineare a essi il manico

superiore (10) e fissare il tutto con le relative rondelle (14) e, infine, con le manopole (12).

- Stringere le manopole a mano senza l'ausilio di chiavi.
- B3** • Dopo aver montato i due manici, collocare su ciascuno un serracavo (18). Fissare il cavo nel serracavo accertandosi che il sacco raccoglierba possa essere tolto e riposizionato senza problemi.

## Gruppo sacco raccoglierba (Fig. C)

**Nota:** Assicurarsi che la batteria sia scollegata.

Prima di impiegare questo accessorio leggere le istruzioni di sicurezza all'inizio del presente manuale.

- C1** • Prima di procedere al montaggio del sacco raccoglierba, controllare che i componenti corrispondano a quelli illustrati in Fig. C1.
- Fissare il sacco raccoglierba (a innesto) inserendo e premendo con forza il bordo nella scanalatura finché il bordo del sacco viene bloccato dall'apposita graffa.
- C2** • Premere con forza il telaio di sostegno fino a farlo scattare in posizione.
- C3** • Applicare al telaio di sostegno prima le due graffe laterali, poi quella di fondo.

## Informazioni sulla batteria

- La batteria contenuta nel vostro utensile è del tipo al piombo. L'elettrolita è contenuto in elementi assorbenti; pertanto la batteria può essere riposta in qualsiasi posizione senza pericolo di perdite.
- **La batteria è stata caricata prima di lasciare la fabbrica, ciononostante sarà necessario ricaricarla prima dell'utilizzo per assicurarne la massima autonomia.**
- Per ottenere le prestazioni migliori la batteria dovrebbe essere ricaricata dopo ogni utilizzo.
- Durante il periodo invernale, avendo riposto l'utensile, assicuratevi che:
  - Il tosaerba sia completamente carico prima di essere riposto.
  - La temperatura del luogo ove è riposto l'utensile sia inferiore a 25 gradi.
  - Il periodo di fermo sia inferiore a 6 mesi.
- Riponete l'utensile in luogo fresco e asciutto.
- Tenete l'utensile e la batteria lontano dall'acqua, da fonti di calore (p.es. caloriferi, stufe ecc.), fiamme e agenti chimici.

### Staffa della batteria

- Identificare la batteria con la relativa staffa di supporto.
- Aprire le due estremità della staffa e inserirvi la batteria.
- Chiudere la staffa a scatto verificandone la corrispondenza con ogni foro.
- Tenere sempre la staffa sulla batteria.

### Istruzioni di caricamento



- Caricate sempre le batterie all'interno, in una area ben ventilata, secca ed al riparo da agenti atmosferici.
- Caricate le batterie in un ambiente dove la temperatura sia superiore a 5 gradi ed inferiore a 40 gradi.



**Attenzione!** Non cercate di caricare batterie non ricaricabili.

#### Per caricare

- È possibile caricare la batteria direttamente sul tosaerba oppure, se nelle vicinanze non è disponibile una presa di rete, toglierla e caricarla in altra sede.

#### Carica della batteria SUL tosaerba

- Estrarre la chiave di sicurezza (24) e conservarla in un luogo sicuro fuori dalla portata dei bambini.
- Rimuovere completamente il coperchio della batteria (4) premendo sugli appositi simboli di bloccaggio posti sui due lati.
- Scollegare il cavo della batteria (filo rosso e nero) staccandolo dalla presa a lato dell'apposita sede.
- Collegare la presa rossa e nera del caricabatterie alla presa rossa e nera della batteria.

**Nota:** La presa del caricabatterie si infila da una parte sola.

- Collegare il caricabatterie alla presa di rete e accenderlo.
- Durante la fase di caricamento, sul caricabatterie si illumina la spia rossa.
- Una volta caricata la batteria, di solito dopo 24-30 ore, si spegne la spia rossa e si accende quella verde.
- Per motivi di sicurezza è opportuno lasciare la batteria sotto carica finché non è pronta per l'uso.
- Staccare il caricabatterie e collegare la batteria alla presa del tosaerba.
- Ora il tosaerba è pronto per l'uso.

#### Per caricare la batteria IN ALTRA SEDE

- Togliere la chiave di sicurezza e il coperchio come sopra e scollegare la batteria.
- Estrarre la batteria dal tosaerba sollevandola e servendosi dell'apposito manico.
- Caricare come sopra.
- Dopo aver completato l'operazione, riposizionare la batteria e collegarla alla presa del tosaerba.

### Importante!

**Ricaricate completamente la batteria immediatamente dopo l'uso.**

Così da ottenere le prestazioni migliori assicurando la massima durata alla batteria. È importante ricaricare la batteria immediatamente dopo ogni utilizzo. La batteria potrebbe guastarsi se l'utensile venisse riposto con la batteria scarica.

**Ricaricate completamente la batteria prima di riporre l'utensile per l'inverno.**

Preparandovi a riporre l'utensile per il periodo invernale, è importante che la batteria sia completamente ricaricata. La batteria potrebbe guastarsi se l'utensile venisse riposto con la batteria scarica.

### Batterie esaurite

Dovendo sostituire la batteria, scaricatela completamente facendo girare il motore fino a quando non si fermi. Rimuovete la batteria dall'utensile.



**Attenzione!** La batteria può trattenere un residuo di carica anche se il motore si ferma. È pertanto necessario proteggersi da eventuali corto-circuiti dei terminali della batteria con utensili non isolati o materiali di natura conduttiva come p.es, ma non solo, fogli di alluminio e lana di ferro.

Le batterie devono essere eliminate in modo responsabile.



Questo simbolo indica che la batteria al piombo contenuta in questo utensile deve essere eliminata in modo corretto e non gettata nei rifiuti casalinghi che potrebbero essere distrutti in un'inceneritore o in una cava.



Le batterie al piombo possono essere dannose per l'ambiente e possono esplodere a contatto con il fuoco. **Non bruciatele.**



La batteria deve essere riportata ad un centro di assistenza Black & Decker, al vostro rivenditore o alla vostra stazione di riciclaggio locale.



**Attenzione!** Installando una batteria nuova, fate attenzione a non incrociare i cavi. Questo causerebbe la rotazione contraria della lama fino a completa scarica della batteria. Quando cercherete di ricaricare la batteria, il circuito verrà distrutto non appena collegherete la spina.

## Come utilizzare il tosaerba (Fig. D & E)

**Importante! Osservate sempre tutte le norme di sicurezza durante l'utilizzo del vostro tosaerba.**



**Attenzione!** Non tentate mai di utilizzare la macchina con una sola mano. La macchina deve essere guidata con entrambe le mani.



### Chiave di sicurezza

- Per evitare accensioni accidentali o un uso non autorizzato del vostro tosaerba a batteria, è stata incorporata una chiave di sicurezza nel design dell'utensile. Togliendo la chiave, il tosaerba è totalmente inutilizzabile.

**Nota:** La chiave di sicurezza ha un foro al centro per poter essere appesa ad un gancio, fuori dalla portata dei bambini.



**Attenzione!** Togliete sempre la chiave di sicurezza quando lasciate il tosaerba incustodito, anche se per poco tempo.

- La chiave di sicurezza (più una di riserva) si trova nell'imballo assieme ai componenti della macchina.

### Accensione

- Inserite la chiave di sicurezza.
- Ruotate l'impugnatura verso il basso per sollevare leggermente la parte frontale del tosaerba e ridurre i rischi di danneggiare il terreno accendendo l'utensile.

D1

- Il tosaerba è dotato di leva interruttore speciale on/off. La leva interruttore è ribassata nell'impugnatura per evitare accensioni involontarie. Per azionare l'interruttore, inserite un dito nell'apertura e spingete fuori la leva così che possiate tirarla con l'altra mano.

D2

- Tirate la leva indietro verso il tosaerba e tenetela in questa posizione per far girare il motore.

- Per spegnere il motore, rilasciate la leva. La leva è caricata a molla e tornerà automaticamente in posizione di partenza all'interno della sua sede.

Avendo terminato di usare il tosaerba, vi consigliamo di rimuovere tutti i detriti prima di riporlo. Ricordate di togliere la chiave di sicurezza prima di pulire la macchina. Vi preghiamo di consultare la sezione "Cura e manutenzione" di questo manuale.

**Nota:** Per ottenere i risultati migliori, tagliate regolarmente l'erba e non tagliate quando l'erba è umida.

Se, durante il taglio, noterete che dell'erba viene scagliata dai lati della macchina, è probabile che il sacchetto sia pieno.

### Montaggio del sacchetto raccogliherba

E

- Tenete il sacchetto (19) per la sua impugnatura.
- Sollevate il flap (5) e guidate il sacchetto sul tubo dell'impugnatura inferiore e fissatelo sul retro della macchina allineando le frecce ↓ sul coperchio del sacchetto e sul coperchio dell'utensile.
- Al termine, rilasciate dolcemente il flap (5) il quale tornerà in posizione (19).

### Rimozione del sacchetto raccogliherba

E' possibile rimuovere il sacchetto pieno sollevando il flap (5) e poi sollevando il sacchetto attraverso l'impugnatura inferiore.

## Regolazione altezza di taglio (Fig. F)



**Attenzione!** Togliete la chiave di sicurezza prima di eseguire ogni operazione e lasciate che la lama si fermi completamente.

F

- Il regolatore è posto (20) sul retro della macchina, spostandolo in fuori e poi verso l'alto o il basso secondo necessità è possibile variare l'altezza di taglio su 5 posizioni.

**Nota:** Il regolatore a 5 posizioni è in tensione quando viene posto in posizione. Deve essere spostato all'esterno per poter regolare l'altezza di taglio da una posizione all'altra. Tornerà automaticamente in posizione una volta rilasciato.

- Impostare la macchina sulle regolazioni 1, 2 e 3 per tosare erba grossa o troppo alta, su 4 e 5 per la manutenzione dei prati regolari. Scegliere la regolazione 5 solo se si desidera un taglio molto corto.

## Manutenzione delle lame

La lama in acciaio dà una buona finitura in erba alta o dura.

Se, a causa di danni o usura, le prestazioni di taglio si deteriorassero, è possibile che occorra sostituire la lama o quantomeno fare riaffilare quella in uso.

Vi consigliamo di riaffilare o sostituire la lama all'inizio della stagione.

Le lame di ricambio **A6157** sono disponibili presso rivenditori o centri di assistenza Black & Decker.



**Attenzione!** Montando una nuova lama, utilizzate solo parti originali Black & Decker specifiche per la vostra macchina - non tentate di montare una lama qualsiasi.

## Montaggio di una lama nuova (Fig. G)



Prima di sostituire la lama, osservate tutte le normali misure di sicurezza.



**Attenzione!** Togliete la chiave di sicurezza prima di sostituire la lama.

G1

- Ponete la macchina su un fianco così da esporre il lato inferiore del copri-lama.
- Calzate dei guanti per proteggere le mani.
- Usando uno straccio sopra la lama o portando dei pesanti guanti da lavoro, afferrate la lama e, utilizzando la chiave inglese in dotazione, allentate e togliete la flangia dall'albero motore. Ruotate la flangia in senso anti-orario per allentarla.

G2

- Togliete flangia, distanziatore, frizione e lama.
- Per sostituire la lama assicuratevi che i taglienti siano il più vicino possibile al terreno.

G3

- Posizionate la frizione sopra la spalla dell'albero che sporge dalla lama. Assicuratevi di allineare i bordi interni con i bordi esterni della lama.

G4

- Inserite il distanziatore quadrato sull'albero motore allineando i piani interni con l'albero e incastrando i piani esterni con la piastra frizione in plastica. Inserite la flangia sull'albero e stringetela in senso orario. Assicuratevi che le parti smontate siano rimontate correttamente prima dell'uso. Un montaggio sbagliato può causare danni all'utensile e ridurre le prestazioni di taglio.

## ITALIANO

**Nota:** Questo utensile è dotato di una rondella frizione (24) posta tra la flangia e la lama, la quale deve essere montata sempre correttamente. I componenti della sede di taglio eventualmente danneggiati devono essere sostituiti prima dell'uso.

## Protezione anti-sovraccarico

La macchina è dotata di una protezione antisovraccarico.

Se tagliate troppo velocemente in erba alta, o in condizioni particolarmente pesanti, è possibile che il motore venga sovraccaricato. La prima indicazione sarà una notevole riduzione della velocità di rotazione, ed eventualmente l'entrata in funzione della protezione. Non si tratta di un guasto ma di un dispositivo di sicurezza per proteggere la macchina.

Se dovesse capitare, togliete la chiave di sicurezza e attendete 1 o 2 minuti per lasciare raffreddare il motore, controllate che la lama giri liberamente. Per ripartire, inserite la chiave di sicurezza e azionate la leva interruttore.

Se la protezione dovesse re-inserirsi entro 10 minuti, dovrete aumentare l'altezza di taglio (vedi apposita sezione).

Un sovraccarico pesante potrebbe provocare un tempo più lungo di attesa prima di ripartire.

Per ottenere i risultati migliori:

- Tagliate regolarmente l'erba.
- Non tagliate erba umida.
- Quando l'erba è alta più di 10cm è consigliabile passare prima con un taglio più alto e poi rifinire ad una altezza più bassa.

## Cura e manutenzione

I consigli dati in questa sezione coprono solo la cura e la manutenzione generali relativi al corpo della macchina. Consigli relativi alle lame sono dati nella sezione "Cura e manutenzione delle lame".

Consigli relativi alla manutenzione e conservazione delle batterie sono dati nella sezione "Informazioni sulla batteria".

- Tenete sempre la macchina pulita e libera da residui di taglio, in modo particolare la parte inferiore e le griglie di ventilazione.

- Al termine di ogni sessione di taglio vi consigliamo di rimuovere i residui di erba accumulati sul lato inferiore utilizzando uno scalpello non affilato; è possibile usare la chiave inglese in dotazione a questo scopo.
- Pulite tutte le parti in plastica con un panno umido.
- **Attenzione!** Non usate trielina o altri solventi chimici o prodotti di pulizia in quanto potrebbero danneggiare le parti in plastica della macchina.

## Ricerca di malfunzioni

Se la vostra macchina non funzionasse correttamente, utilizzate la seguente tabella per ricercarne le cause.

Problema	Soluzione
La macchina non parte azionando la leva interruttore	<p>a) Controllate che la chiave di sicurezza sia inserita correttamente.</p> <p>b) Togliete la chiave di sicurezza e girando la macchina controllate che la lama sia libera di girare.</p> <p>c) La batteria è ben carica? Collegare il caricabatteria e attendete che la luce verde si accenda.</p>
La macchina si ferma durante il lavoro	<p>a) Togliete la chiave di sicurezza e girando la macchina controllate che la lama sia libera di girare.</p> <p>b) Aumentate l'altezza di taglio e accendete la macchina.</p> <p>c) La batteria è ben carica? Collegare il caricabatteria e attendete che la luce verde si accenda.</p> <p>d) Togliete la chiave di sicurezza e attendete 1 o 2 minuti per lasciare raffreddare il motore, controllate che la lama giri liberamente. Per ripartire, inserite la chiave di sicurezza e azionate la leva interruttore.</p>
La macchina funziona ma le prestazioni di taglio sono insoddisfacenti	<p>a) La batteria è ben carica? Collegare il caricabatteria e attendete che la luce verde si accenda.</p> <p>b) Forse è necessario sostituire la batteria. Vedi la sezione relativa.</p>

Problema	Soluzione
La macchina è troppo dura da spingere	a) Aumentate l'altezza di taglio per ridurre l'attrito sull'erba. Controllate che ogni ruota giri liberamente.
La macchina è insolitamente rumorosa e vibra	<p>a) Togliete la chiave di sicurezza. Ponete la macchina su un fianco e controllate se la lama è danneggiata. Per la sostituzione usate solo parti originali Black &amp; Decker.</p> <p>b) Se non vi sono danni visibili alla lama o alla parte inferiore della macchina, riportatela ad un centro di assistenza Black &amp; Decker.</p>



**Attenzione!** Togliete sempre la chiave di sicurezza prima di effettuare ogni operazione.

## Cosa fare se la vostra macchina necessita riparazione

Informazioni su come e dove inviare il vostro tosaerba per riparazione o assistenza sono contenute nella scheda di garanzia. Vi consigliamo di tenere questa scheda in un luogo sicuro.

## Altri prodotti Black & Decker

Black & Decker offre una gamma completa di elettrotensili specifici per il giardinaggio. Se desiderate avere ulteriori informazioni su questi prodotti vi preghiamo contattare il servizio informazioni Black & Decker all'indirizzo posto sulla etichetta posteriore, o contattare il vostro rivenditore Black & Decker.

**Tosaerba  
Refilatori  
Rastrelli elettrici**

**Tagliasiepi  
Seghe a catena  
Trituratori**

### Dichiarazione di conformità EC

Si dichiara che i prodotti: **GRC730**  
sono conformi a 89/392/EEC, 89/336/EEC,  
73/23/EEC, EN60335, EN55014, EN55104  
Pressione acustica fonderata @ 4m 80dB (A)  
Potenza acustica calibrata 91dB (A)  
Vibrazioni mano-braccio <2.5m/s<sup>2</sup>

Brian Cooke

Direttore di Ricerca e Sviluppo  
Spennymoor, County Durham DL16 6JG, United Kingdom


# Rasenmäher GRC730

## Bedienungsanleitung

### Bedienungsanleitung

Diese Bedienungsanleitung enthält die Betriebs- und Pflegehinweise für den Black & Decker Akku-Rasenmäher GRC730.

### Lernen Sie Ihren Rasenmäher kennen

 Lesen Sie dieses Handbuch sorgfältig durch, und folgen Sie allen empfohlenen Sicherheitshinweisen, vor während und nach dem Gebrauch des Mähers. Halten Sie Ihren Rasenmäher immer in einem guten Betriebszustand.

Machen Sie sich mit der Bedienung Ihres Rasenmähers vertraut bevor Sie ihn zum ersten Mal benutzen, achten Sie aber vor allem darauf, daß Sie wissen, wie das Gerät in einem Notfall abgeschaltet werden kann.

Bewahren Sie diese Bedienungsanleitung, sowie alle anderen mit Ihrem Mäher mitgelieferten Unterlagen, zur zukünftigen Verwendung sorgfältig auf.

### Sicherheitshinweise

#### Ausbildung

- Untersagen Sie Kindern oder Personen, die mit dem Gerät nicht vertraut sind, oder die die Bedienungsanleitung nicht gelesen haben, die Benutzung des Rasenmähers.



Halten Sie Kinder, Tiere oder andere Personen während des Arbeitens mit dem Mäher aus dessen Arbeitsbereich fern - sorgen Sie für einen Sicherheitsabstand von mindestens 6 Metern zum Mähbereich.

- Denken Sie daran, daß der Benutzer für Schäden oder Unfälle in bezug auf andere Personen oder deren Eigentum verantwortlich ist.

#### Arbeitsvorbereitung

- Tragen Sie zum Schutz Ihrer Füße immer festes Schuhwerk oder Stiefel - frisch gemähtes Gras ist feucht und rutschig.
- Verwenden Sie Schutzausrüstung. Tragen Sie beim Mähen eine Schutzbrille oder Sicherheitsgläser. Bei übermäßiger



Staubentwicklung sollte eine Atemschutzmaske getragen werden.

- Setzen Sie Ihren Mäher nicht in gasreichen, explosionsgefährdeten Bereichen ein.
- Mähen Sie nicht barfuß oder mit offenen Sandalen.
- Tragen Sie zum Schutz Ihrer Beine lange Hosen. Fremdkörper, die im Mähbereich liegen, können vom Mähmesser unter dem Mäher hervorgesleudert werden.
- Nehmen Sie Ihren Rasenmäher nur in einwandfreiem Zustand in Betrieb.
- Ziehen Sie vor Arbeitsbeginn den Sicherheitsschlüssel heraus und vergewissern Sie sich, daß das Messer, die Messerschraube und der Messerbalken nicht abgenutzt oder beschädigt sind. Defekte Messer und abgenutzte Messerschrauben müssen ersetzt werden. Prüfen Sie, ob die Messerschraube fest angezogen ist.
- Vor Arbeitsbeginn und während des Mähens Fremdkörper wie Zweige, Steine, Draht u.ä. aus dem Mähbereich entfernen. Kontakt mit diesen Fremdkörpern können Ihren Mäher beschädigen.

#### Beim Arbeiten

- Achten Sie darauf, den Mäher beim Herunterdrücken des Handgriffs nicht stärker als unbedingt notwendig anzuheben. Achten Sie immer darauf, daß sich beide Hände in der Arbeitsstellung befinden, und daß Ihre Füße beim Absenken des Mähers ausreichenden Sicherheitsabstand vom Messer haben.
- Vermeiden Sie versehentliches Starten. Vergewissern Sie sich, daß der Betriebsschalter ausgeschaltet ist, bevor Sie den Sicherheitsschlüssel einstecken.
- Lassen Sie den Betriebsschalter los, um den Mäher auszuschalten und entfernen Sie den Sicherheitsschlüssel:
  - Wenn Sie Ihren Rasenmäher unbeaufsichtigt abstellen.
  - Bevor Sie den Mäher überprüfen, reinigen oder an ihm arbeiten.
  - Vor dem Entfernen einer Blockierung.

- Falls der Mäher ungewöhnlich stark vibriert (sofort überprüfen)
  - Wenn Sie mit dem Mäher auf einen Fremdkörper getroffen sind. Untersuchen Sie das Gerät auf mögliche Beschädigungen und führen gegebenenfalls die notwendigen Reparaturen durch.
  - Lassen Sie das Gerät niemals laufen, wenn es auf der Seite liegt und versuchen Sie niemals das laufende Messer anzuhalten - lassen Sie es immer von alleine zum Stillstand kommen.
  - Achten Sie darauf, daß Sie nicht mit Händen oder Füßen in die Nähe oder an rotierende Teile des Mähers geraten.
  - Halten Sie sich zu jeder Zeit von Auswurföffnungen fern.
  - Starten Sie Ihren Mäher sorgfältig nach den Anweisungen und halten Sie Ihre Füße im ausreichenden Sicherheitsabstand zum Messer.
  - Benutzen Sie Ihren Rasenmäher nicht bei Regen oder Nässe. Vermeiden Sie, wenn möglich, nasses Gras.
  - Mähen Sie nur bei Tageslicht oder gutem künstlichen Licht.
  - Gehen Sie beim Mähen immer vorwärts, ziehen Sie den Rasenmäher nicht rückwärts.
  - Überqueren Sie keine Kieswege oder steinige Straßen, während das Messer rotiert.
  - Achten Sie immer auf Standfestigkeit, insbesondere auf Abhängen.
  - Mähen Sie Abhänge immer quer zum Gefälle, nie von oben nach unten. Seien Sie beim Richtungswechsel auf Abhängen immer besonders vorsichtig.
  - Mähen Sie keine übermäßig steilen Abhänge und tragen Sie immer rutschfestes Schuhwerk.
  - Überprüfen Sie den Grasfangsack regelmäßig auf Beschädigungen und ersetzen ihn gegebenenfalls.
  - Mähen Sie immer im Schritt, niemals laufen. Schieben Sie den Mäher nicht mit Gewalt vor.
  - Heben Sie den Rasenmäher niemals hoch oder tragen ihn solange der Motor läuft. Vergewissern Sie sich, daß das Messer aufgehört hat zu rotieren bevor Sie den Mäher zum Transport anheben.
  - Entfernen Sie immer zuerst den Sicherheitsschlüssel und stellen die
- Schnitthöhe auf eine mittlere Stellung ein, bevor Sie den Mäher transportieren. Seien Sie beim Anheben des Geräts sehr vorsichtig.
- Betreiben Sie den Mäher niemals mit beschädigten Schutzvorrichtungen und -abdeckungen.
- ### Lagerung und Pflege
- Bewahren Sie den Rasenmäher immer an einem trockenen Ort außer Reichweite von Kindern auf. Ziehen Sie immer den Sicherheitsschlüssel heraus und bewahren diesen kindersicher auf.
  - Benutzen Sie keine Lösungs- oder Reinigungsmittel, um Ihren Mäher zu reinigen - verwenden Sie stattdessen einen stumpfen Schaber, um Gras und Schmutz zu entfernen. Ziehen Sie vor der Reinigung immer erst den Sicherheitsschlüssel ab.
  - Den Rasenmäher nicht im Freien lagern oder aufladen.
  - Benutzen Sie Ihren Mäher nicht mit beschädigten Teilen; entfernen Sie alle beschädigten Teile und ersetzen sie diese vor dem Arbeiten mit dem Gerät.
  - Aus Sicherheitsgründen sollten Sie abgenutzte oder beschädigte Teile sofort auswechseln.
  - Sorgen Sie dafür, daß sämtliche Muttern, Bolzen und Schrauben immer fest angezogen sind, damit sich Ihr Rasenmäher immer in einem sicheren Betriebszustand befindet.
  - Verwenden Sie nur von Black & Decker empfohlene(s) Zubehör und Ersatzteile.

## Produktausstattung (Abb. A)

- A** Mit dem Kauf Ihres Black & Decker Rasenmähers GRC730 haben Sie ein Produkt erworben, das Qualität mit einem modernen Design und den folgenden Eigenschaften verbindet, die für ein erfolgreiches, problemloses und sicheres Mähen sorgen.
- Ohne Kabel - Sie brauchen beim Mähen kein Verlängerungskabel.
  - Kein Kraftstoff - Sie müssen kein Benzin und Öl kaufen, mischen, lagern oder transportieren.
  - Sauber - Ihr Mäher produziert keine Abgase und ist damit umweltfreundlich.
  - Wiederaufladbarer 12 Volt Akku - Zuverlässige Stromquelle für eine Mähleistung von ca. 300m<sup>2</sup> pro Akkuladung.

- Problemlos starten - Motor springt immer sofort an.
- Speziell entworfener Betriebsschalter (16) und Sicherheitschlüssel (24) verhindern unbeabsichtigtes Starten des Mähers.
- Ergonomisch entworfener nach oben geschwungener Handgriff zum bequemen Gebrauch und problemlosen Schieben des Mähers (10).
- Messerbremse (Autostop) für zusätzliche Sicherheit. Hält das Messer nach Ausschalten des Gerätes in weniger als 3 Sekunden an.
- Große Knebelmutter am Griffgestänge für problemlose Montage und einfache Lagerung.
- Zentrale Schnitthöhenverstellung. Nur ein Hebel zur schnellen und einfachen Höheneinstellung.
- Fünf verschiedene Schnitthöheneinstellungen um flexibel auf unterschiedliche Rasenbeschaffenheiten einzustellen.
- Die nach innen eingezogenen Räder ermöglichen das Mähen bis zur äußersten Kante der Rasenfläche.
- Höhenverstellbarer Handgriff, mit 3 unterschiedlichen Höhen, zur problemlosen Anpassung an die Körpergröße des Benutzers.
- Großer Grasfangsack (30l) für längere Mähzeiten (19).
- Einfaches Abnehmen und Wiedereinsetzen des Grasfangsackes.
- Glatte Mäherunterseite sorgt für verbesserte Schnittleistung und -qualität.
- Robustes widerstandsfähiges Kunststoffgehäuse, das nicht rostet und Geräusentwicklung und Schwingungen reduziert.
- Leistungsstarker und kraftvoller 12 Volt Permanent-Magnet-Motor sorgt bei geringer Geräusentwicklung für ausgezeichnete Schnittleistung und eine wirkungsvolle Aufnahme des Schnittgutes in den Grasfangsack.
- Laufzeit. Der GRC730 besitzt bei durchschnittlichen Schnittbedingungen eine Laufzeit zum Mähen von ungefähr 300m<sup>2</sup>. Diese Laufzeit verschiebt sich nach oben und unten je nach Rasenbedingungen, verwendeter Schnitthöhe und Geschwindigkeit beim Schieben

Black & Decker behält sich das Recht vor, ohne vorherige Ankündigung Veränderungen

am Produkt vorzunehmen, die der technischen Verbesserung dienen.

## Auspacken und Montage des Gerätes

Der Verpackungskarton Ihres Rasenmähers enthält:

- Den Mäher mit Griffgestänge.
- Einen Beutel mit Zubehör:
  - Zwei Sicherheitsschlüssel (24).
  - Bedienungsanleitung.
  - Schraubenschlüssel für Messerwechsel (25).
- Akku-Ladegerät (26).
- Batterieriemen (27).
- Ein Grasfangsack (19) - siehe nachfolgende Anleitung zum Zusammenbau.

## Montage des Griffgestänges (Abb. A + B)

**A** Entfernen Sie den Inhalt des Kartons und machen Sie sich mit den einzelnen Teilen des Rasenmähers vertraut.

Die in Abb. A gezeigten Hauptteile des Mähers sind:

- Maschinenkörper (1):
  - Er besteht aus dem Messerboden (2)
  - Der Motorabdeckung (3)
  - Der Batterieabdeckung (4)
  - Der Auswurflappe (5)
  - Den Rädern (6)
  - Dem Lagerstift (7)
  - Dem Gitter (8)
- Griffgestänge (9):
  - Dies besteht aus dem oberen Griff (10)
  - Dem unteren Griff (11)
  - Den Griffknebelschrauben (12)
  - Dem Schalthebel (13)
  - Dem Betriebsschalter (16)
  - Dem elektrischen Kabel (17)
  - Den Halteklammern für das Kabel (18).
- Der untere Griff (11) wird am Mäherkörper montiert geliefert.

**B1** • Es ist nur notwendig den Griff aufzuklappen indem Sie das Gestänge anheben, bis die Griffenden in ihre Stellung an den Seiten des Mähers

einrasten. Sobald das Gestänge fest sitzt, können die Knebelschrauben (12) fest angezogen werden.

- B2**
- Der obere Griff (10) wird montiert, indem die Bolzen (13) durch die Löcher im unteren Griffgestänge geführt werden. Anschließend den oberen Griff auf die Bolzen einrichten und mit einer Unterlegscheibe (14) und den Knebelschrauben (12) sichern.
  - Ziehen Sie die Knebelschrauben nur mit der Hand fest. Verwenden Sie keinen Schraubenschlüssel.

- B3**
- Wenn beide Griffe montiert sind wird eine Kabelklammer (18) am oberen Griff (10) und eine weitere am unteren Griff (11) befestigt. Klemmen Sie das Kabel (17) in diese Klammern ein und achten dabei darauf, daß der Grasfangsack problemlos entfernt und wiedereingesetzt werden kann.

## Zusammenbau des Grasfangsacks (Abb. C)

**Achtung:** Unterbrechen Sie die Stromzufuhr Klemmen Sie die Batterie ab.

Lesen Sie die Sicherheitsanweisungen am Anfang dieser Bedienungsanleitung bevor Sie dieses Zubehör verwenden.

- C1**
- Vergewissern Sie sich, daß die Teile den in Abb. C1 dargestellten entsprechen bevor Sie mit dem Zusammenbau des Grasfangsacks beginnen.
  - Sichern Sie den Grasfangsack (Einsatz), indem Sie den Sackrand in den Kanal schieben und fest nach unten drücken bis die Klammer um den Rand einschnappt.
- C2**
- Schieben Sie den Stützrahmen fest in Position.
- C3**
- Befestigen Sie die beiden Seitenklammern am Stützrahmen und montieren Sie anschließend die untere Klammer.

## Informationen zum Batterie

- Die Batterie in Ihrem Akku-Rasenmäher besteht aus einem 12 Volt versiegeltem Bleisäure-System. Die Batterie verwendet ein absorbiertes Elektrolyt und kann daher in jeder beliebigen Stellung gelagert werden, ohne daß irgendetwas auslaufen könnte.
- **Die Batterie wird in der Fabrik aufgeladen. Vor dem ersten Gebrauch ist es jedoch notwendig sie erneut aufzuladen, um eine volle Ladung vor dem ersten Gebrauch zu gewährleisten.**

- Zur optimalen Leistung ist der Akku nach jedem Gebrauch sofort neu aufzuladen.
- Sorgen Sie bei der Einlagerung im Winter für folgendes:
  - Der Akku wird vor der Lagerung voll aufgeladen.
  - Die Temperatur im Lagerraum beträgt weniger als 25°C.
  - Der Mäher wird nicht länger als 6 Monate eingelagert.
- Lagern Sie Ihren Rasenmäher immer kühl und trocken.
- Sorgen Sie dafür, daß der Mäher und die Batterie nicht mit Wasser, Hitzequellen (wie Heizkörper, Heizlüfter, Öfen, usw.), offenem Feuer oder Chemikalien in Berührung kommen.

## Batterieriemen

- Nehmen Sie die Batterie und ihren Tragriemen (27).
- Falten Sie die Seiten des Riemens nach oben und setzen die Batterie in ihre Position.
- Klicken Sie die Riemen zusammen um sicherzugehen, daß Sie jedes Loch finden.
- Der Riemen sollte immer auf der Batterie verbleiben.

## Hinweise zum Aufladen



- Laden Sie Ihren Rasenmäher immer in einem gut durchlüfteten, trockenen, wettergeschützten Raum auf.
- Laden Sie den Mäher an einem Ort auf, an dem die Umgebungstemperatur höher als 5°C und niedriger als 40°C ist.



**Achtung!** Versuchen Sie nicht, nichtaufladbare Akkus aufzuladen.

## Aufladen

- Der Akku Ihres Mähers kann auf dem Mäher neu aufgeladen werden oder entfernt und getrennt aufgeladen werden, falls keine Netzsteckdose zur Hand ist.

## Aufladen des Akkus auf dem Mäher

- Entfernen Sie den Sicherheitsschlüssel (24) und verwahren ihn an einem kindersicheren Ort.
- Entfernen Sie die Batterieabdeckung (4) durch Herunterdrücken der Schlüsselsymbole an beiden Seiten der Abdeckung. Die Abdeckung kann vollständig entfernt werden.
- Entfernen Sie die Batteriekabel (rot und schwarz) durch Herausziehen aus der Buchse seitlich in dem Batteriefach.

- Anschließend wird der rote und schwarze Stecker des Ladegerätes an die rote und schwarze Buchse der Batterie angeschlossen.

**Hinweis:** Der Stecker des Ladegeräts paßt nur in einer Richtung in die Buchse.

- Schließen Sie das Ladegerät an eine Netzsteckdose an.
- Die rote Lampe auf dem Ladegerät leuchtet auf, um anzuzeigen, daß die Batterie aufgeladen wird.
- Wenn der Akku voll aufgeladen ist - die Ladezeit beträgt zwischen 24 und 30 Stunden - erlischt das rote Licht und die grüne Lampe leuchtet auf.
- Der Akku kann gefahrlos am Ladegerät angeschlossen bleiben, bis er gebraucht wird.
- Ziehen Sie den Stecker des Ladegeräts aus der Batterie und schließen die Batterie an den Stecker auf dem Mäher an.
- Ihr Rasenmäher ist jetzt betriebsbereit.

#### Aufladen des Akkus an anderer Stelle

- Entfernen Sie den Sicherheitsschlüssel und die Batterieabdeckung wie oben beschrieben und trennen die Batterie ab.
- Heben Sie die Batterie mit dem Tragegriff aus dem Mäher heraus.
- Laden Sie die Batterie wie oben beschrieben auf.
- Nach dem Aufladen - setzen Sie die Batterie wieder in den Mäher ein und schließen sie an den Stecker des Mähers an.

## Wichtiger Hinweis

### Laden Sie den Akku Ihres Mähers sofort nach dem Gebrauch wieder voll auf!

Um von Ihrem Rasenmäher die größtmögliche Leistung und die längstmögliche Lebensdauer des Akkus zu erhalten ist es wichtig, daß der Akku unmittelbar nach jedem Gebrauch wieder voll aufgeladen wird. Wenn der Rasenmäher nicht voll aufgeladen gelagert wird, kommt es zu einem Versagen des Akkus.

### Volles Aufladen des Rasenmähers für die Lagerung im Winter

Wenn Sie den Mäher für die Einlagerung über den Winter vorbereiten ist es wichtig, daß er voll aufgeladen ist. Wenn der Rasenmäher nicht voll aufgeladen gelagert wird, kommt es zu einem Versagen des Akkus.

## Entsorgung der Batterie

Wenn der Akku des Mähers ersetzt werden muß, sollten Sie ihn zunächst völlig entladen, d.h. den Mäher solange laufen lassen, bis der Motor stehenbleibt. Entfernen Sie anschließend den Akku aus dem Mäher.



**Achtung!** Der Akku kann auch nach dem Stehenbleiben des Motors noch einen Reststrom enthalten. Daher sollten die Anschlüsse des Akkus mit nicht leitenden Werkzeugen oder Material isoliert werden (keine Stahlwolle oder Aluminiumfolie o.ä. verwenden), um einen Kurzschluß vorzubeugen. Akkus/Batterien müssen verantwortungsbewußt entsorgt werden.



Dieses Symbol besagt, daß die Bleisäure-Batterie Ihres Rasenmähers umweltgerecht entsorgt werden muß und nicht dem normalen Hausmüll, der in einer Verbrennungsanlage oder auf einer Müllhalde entsorgt wird, zugeführt werden darf.



Bleisäure-Akkus sind bei unsachgemäßer Entsorgung umweltbelastend und können explodieren, wenn sie mit offenem Feuer in Berührung kommen. **Nicht verbrennen.**

Geben Sie den Alt-Akku bei unserem Black & Decker Zentralkundendienst, Ihrem örtlichen Fachhändler oder Ihrer örtlichen Sammelstelle für Altbatterien ab. Wenden Sie sich gegebenenfalls an Ihre örtliche Behörde, um nähere Informationen zur Entsorgung zu erhalten.

Falls die Mähleistung Ihres Mähers nachläßt, wenden Sie sich bitte an den Abschnitt "Fehlersuche".



**Achtung!** Installieren Sie die Akkukabel beim Installieren nicht mit umgedrehten Polen, da dies dazu führt, daß das Messer solange falsch herum rotiert, bis der Akku entladen ist. Beim erneuten Versuch den Akku aufzuladen, wird der Stromkreis des Ladegeräts zerstört sobald Sie den Stecker des Ladegeräts einstecken.

## Arbeiten mit dem Mäher (Abb. D + E)

**Wichtig! Bitte beachten Sie bei der Arbeit mit Ihrem Gerät immer die entsprechenden Sicherheitshinweise!**



**Achtung!** Versuchen Sie nicht, den Mäher mit nur einer Hand zu schieben. Führen Sie ihn immer mit beiden Händen.





### Sicherheitsschlüssel



- Um ein unbeabsichtigtes Starten oder die unbefugte Benutzung zu verhindern, wurde Ihr Akku-Rasenmäher mit einem abziehbaren Sicherheitsschlüssel ausgestattet. Das Gerät ist absolut betriebsunfähig, wenn dieser Schlüssel aus dem Mäher entfernt wurde.

**Hinweis:** Der Sicherheitsschlüssel ist mit einem Loch versehen, damit er außerhalb der Reichweite von Kindern an einem Haken aufgehängt werden kann.



**Achtung!** Entfernen Sie den Schlüssel immer, wenn Sie den Mäher unbeaufsichtigt stehen lassen, auch wenn es nur für kurze Zeit ist.

- Ihr Sicherheitsschlüssel befindet sich im Zubehörpaket (einschließlich einem Ersatzschlüssel).

### Starten

- Schieben Sie den Sicherheitsschlüssel in Position und drücken ihn bis zum Anschlag hinein.
- Heben Sie den Rasenmäher leicht an, indem Sie den Handgriff etwas nach unten drücken. So vermeiden Sie eine Beschädigung des Rasens beim Anlaufen des Messers.

# D1

- Ihr Rasenmäher ist mit einem speziell konzipierten Ein/Aus-Betriebsschalter ausgestattet. Der Schalterhebel ist im Schaltergehäuse eingebettet, um ein unbeabsichtigtes Einschalten des Mähers zu verhindern.
- Zum Einschalten schieben Sie den Finger in die Öffnung und drücken den Hebel aus dem Gehäuse, um ihn mit der anderen Hand herausziehen zu können.

# D2

- Ziehen Sie den Hebel in Richtung des Handgriffs zurück und halten ihn beim Mähen in dieser Stellung fest.
- Zum Ausschalten lassen Sie den Hebel einfach los. Er schnappt durch einen Federmechanismus zurück und verschwindet wieder in seiner ursprünglichen Stellung im Schaltergehäuse.

Wir empfehlen, daß Sie Ihren Rasenmäher nach jedem Mähen säubern, bevor Sie ihn wegstellen. Entfernen Sie vorher unbedingt den Sicherheitsschlüssel. Beachten Sie dazu den Abschnitt "Lagerung und Pflege".

### Einsetzen des Grasfangsackes

- Fassen Sie den Grasfangsack oben (19) am Griff an.
- Heben Sie die Auswurfklappe (5) hoch und führen dann den Grasfangsack durch das untere Griffgestänge und

befestigen ihn am Hinterteil des Mähers, indem Sie die Pfeilmarkierungen ↓ am Messerboden und die Oberseite des Fangsackes aufeinander ausrichten.

- Lassen Sie nun die Auswurfklappe (5) langsam wieder herunter. Sie liegt nun auf der Oberseite des Fangsackes (19) auf.

### Entfernen des Grasfangsackes

Der volle Fangsack wird entfernt, indem Sie die Auswurfklappe (5) anheben und dann den Grasfangsack nach oben durch das untere Griffgestänge herausheben.

## Einstellung der Schnitthöhen (Abb. F)



**Achtung!** Entfernen Sie den Sicherheitsschlüssel bevor Sie irgendwelche Einstellungen vornehmen, und lassen Sie das Messer erst völlig zum Stillstand kommen; das Messer ist sehr scharf.

# F

- Sie können 5 verschiedene Schnitthöhen einstellen, indem Sie den Hebel (20) am Hinterteil Ihres Mähers nach außen ziehen und ihn dann, je nach Bedarf, nach oben oder unten bewegen.

**Hinweis:** Die auf 5 Positionen einstellbare Schnitthöhenverstellung steht im eingerasteten Zustand unter Spannung. Der Hebel muß nach außen gezogen werden, um ihn von einer Einstellung in die andere zu schieben und er springt nach dem Loslassen automatisch in die entsprechende Position zurück.

- Einstellungen 1, 2 und 3 sind für grobes und wucherndes Gras geeignet. Zur Pflege regelmäßig gemähter Rasenflächen sollten die Einstellungen 4 und 5 verwendet werden. Einstellung 5 wird nur für einen sehr kurzen Schnitt verwendet.

## Pflege des Messers

Das Stahlmesser wurde extra so konstruiert, um für einen sauberen, exakten Schnitt bei langem oder grobem Gras zu sorgen.

Ist das Messer jedoch durch Verschleiß oder Beschädigung stumpf geworden wird das Schnittergebnis schlechter. Das Messer sollte in diesem Fall ausgewechselt oder zumindest neu geschliffen werden.

Wir empfehlen das Messer zu Beginn jeder Saison zu schleifen oder auszuwechseln.

Sie erhalten Ersatzmesser unter der Nummer **A6157** bei Ihrem Black & Decker Händler oder von unserem Zentralkundendienst.



**Vorsicht!** Verwenden Sie beim Auswechseln nur das für Ihren Rasenmäher vorgesehene Original- ersatzmesser. Versuchen Sie nicht ein anderes Messer einzubauen.

## Auswechseln eines Messers (Abb. G)



Beachten Sie alle relevanten Sicherheitshinweise, bevor Sie mit dem Auswechseln des Messers beginnen.



**Achtung!** Ziehen Sie unbedingt den Sicherheitsschlüssel heraus, bevor Sie das Messer auswechseln.

### G1

- Legen Sie den Rasenmäher auf die Seite, um an die Unterseite des Mähers zu gelangen.
- Tragen Sie zum Schutz Ihrer Hände Handschuhe.
- Verwenden Sie ein Tuch oder feste Arbeitshandschuhe, um Ihre Hände zu schützen. Halten Sie das Messer fest und lösen Sie mit dem mitgelieferten Schraubenschlüssel die Mutter von der Motorwelle. Drehen Sie die Mutter zum Lösen gegen den Uhrzeigersinn.

### G2

- Entfernen Sie die Mutter, die quadratische Unterlegscheibe, die Kupplungsscheibe und das Messer.
- Wenn Sie das Messer erneut einsetzen achten Sie darauf, daß die Schnittkanten des Messers dem Boden am nächsten sind und setzen Sie das Messer auf den kombinierten Sockel.

### G3

- Setzen Sie die Kupplungsscheibe über die erhöhten Kanten des kombinierten Sockels, der aus dem Messer hervorsteht. Sorgen Sie dafür, daß die Innenkanten auf die Außenkanten des Messers ausgerichtet sind.

### G4

- Setzen Sie die quadratische Stahlunterlegscheibe auf die Motorwelle. Richten Sie dabei die Innenflächen auf die Welle aus und rasten die Außenkanten in die Kunststoffkupplungsplatte ein. Setzen Sie die Mutter auf die Welle auf und drehen sie im Uhrzeigersinn fest.
- Achten Sie vor dem Einsatz darauf, daß ausgewechselte Teile korrekt eingesetzt werden. Falscher Zusammenbau kann zu Beschädigungen an Ihrem Mäher und einer verminderten Schnittleistung führen.

**Hinweis:** Dieses Gerät ist mit einer Kupplungsplatte (24) zwischen der Messermutter und dem Messer ausgestattet, die immer unbedingt korrekt eingebaut werden muß. Beschädigte Messerteile müssen vor dem Gebrauch ausgewechselt werden.

## Überlastungsschutz

Ihr Akku-Rasenmäher ist mit einem Überlastschutz ausgestattet.

## DEUTSCH

Wenn Sie unter schwierigen Bedingungen, wie etwa sehr hohem Gras, arbeiten, kann der Motor überlastet werden. Das äußert sich zunächst in einer stark reduzierten Geschwindigkeit des Motors/ Messers und gegebenenfalls einem automatischen Abschalten des Motors durch den Überlastschutz. Dies ist eine zusätzliche Sicherheitseinrichtung, die verhindert, daß der Motor durch Überlastung beschädigt wird.

Sollte dieser Fall eintreten, ziehen Sie den Sicherheitsschlüssel und lassen den Motor 1-2 Minuten abkühlen. Dabei überprüfen Sie, ob das Messer ggf. blockiert ist und sorgen dafür, daß es wieder frei laufen kann. Stecken Sie den Sicherheitsschlüssel ein und arbeiten normal weiter.

Wenn der Motor kurzfristig wieder abschaltet, sollten Sie eine größere Schnitthöhe einstellen.

Sollte der Motor mehrmals kurz hintereinander überlastet werden, sollten Sie ihm eine etwas längere Abkühlphase einräumen.

Um optimale Mähergebnisse zu erzielen

- Schneiden Sie Ihren Rasen regelmäßig
- Mähen Sie kein nasses Gras
- Wenn das Gras höher als 10cm ist, sollten Sie zunächst mit einer hohen Schnitthöheinstellung mähen und anschließend nochmal in der eigentlich gewünschten Schnitthöhe.

## Pflege und Wartung

Die in diesem Abschnitt gegebenen Ratschläge beziehen sich auf die allgemeine Pflege und Wartung des Hauptteils Ihres Mähers. Ratschläge für das Messer finden Sie in dem Abschnitt "Pflege des Messers".

Ratschläge in bezug auf die Wartung und Lagerung des Akkus finden Sie in dem Abschnitt "Informationen zum Akku/Batterie".

- Reinigen Sie Ihren Mäher nach jedem Mähen von Grasresten, insbesondere an der Unterseite des Mähers und an den Lüftungsschlitzen.
- Wir empfehlen, daß die sich ablagernden Grasreste an der Unterseite der Mähabdeckung am Ende jeder Mähesaison mit einem stumpfen Schaber entfernt werden. Der mitgelieferte Schraubenschlüssel kann für diesen Zweck verwendet werden.
- Reinigen Sie alle Kunststoffteile mit einem feuchten Tuch.

- **Vorsicht!** Verwenden Sie keine Reinigungs- oder Lösungsmittel, da sie zur Beschädigung der Kunststoffteile Ihres Mähers führen können.

## Fehlersuche

Falls Ihr Rasenmäher nicht ordnungsgemäß funktioniert, soll Ihnen folgende Tabelle helfen, den Fehler zu beheben:

Problem	Lösung
Rasenmäher läuft nicht an wenn Betriebsschalter gezogen wird	a) Sicherheitsschlüssel einstecken. b) Messerblockierung beheben. c) Akku aufladen.
Rasenmäher bleibt beim Arbeiten stehen	a) Messerblockade entfernen. b) Größere Schnitthöhe einstellen. c) Akku aufladen. d) Ziehen Sie den Sicherheitsschlüssel und lassen den Motor 1-2 Minuten abkühlen. Dabei überprüfen Sie, ob das Messer ggf. blockiert ist und sorgen dafür, daß es wieder frei laufen kann. Stecken Sie den Sicherheitsschlüssel ein und arbeiten normal weiter.
Rasenmäher läuft, aber Mähleistung ist unbefriedigend	a) Akku aufladen. b) Akku ersetzen, da defekt.
Rasenmäher läßt sich nur sehr schwer schieben	a) Größere Schnitthöhe einstellen.
Rasenmäher ist zu laut und vibriert stark	a) Beschädigtes Messer auswechseln. b) Wenden Sie sich an den Black & Decker Zentralkundendienst oder Ihren örtlichen Black & Decker Händler zur Beseitigung der Störung.



**Achtung!** Ziehen Sie vor allen Wartungsarbeiten immer erst den Sicherheitsschlüssel aus Ihrem Rasenmäher.

## Black & Decker Kundendienst

Informationen darüber, wie und wohin Sie Ihren Akku-Rasenmäher.

zur Überprüfung oder Reparatur bringen sollen, finden Sie in den beiliegenden Garantieunterlagen.

## Bitte bewahren Sie diese Papiere sorgfältig auf

Black & Decker bietet ein breites Programm von Gartengeräten an, die die Arbeit Im Garten erleichtern. Wenn Sie nähere Informationen benötigen, wenden Sie sich direkt an Black & Decker oder Ihren örtlichen Händler.

**Rasenlüfter**                      **Rasentrimmer**  
**Kettensägen**                    **Laubsauger**  
**Heckenscheren**                **Häcksler**

### EG Konformitätserklärung

Wir erklären hiermit, daß die folgenden Elektrowerkzeuge: **GRC730** der Richtlinie 89/392/EEC, 89/336/EEC, 73/23/EEC, EN55104, EN60335, EN55014, entsprechen

Lpa (Schalldruck) @ 4m 80dB (A)  
Lpa (Schalleistung) 91dB (A)  
Gewichteter effektivwert der Beschleunigung <2.5m/s<sup>2</sup>

Brian Cooke


Director of Engineering  
Spennymoor, County Durham DL16 6JG, United Kingdom

# Tondeuse GRC730

## Notice d'utilisation

Cette notice concerne l'utilisation et l'entretien de la tondeuse sans fil GRC730 de Black & Decker.

### Familiarisez-vous avec votre machine

 Lisez attentivement cette notice et appliquez toutes les consignes de sécurité lors de l'utilisation, du nettoyage et de l'entretien de votre tondeuse.

Assurez vous de bien pouvoir contrôler votre machine avant la première utilisation et avant toute chose, que vous sachiez l'arrêter en cas d'urgence.

Conservez soigneusement ce manuel ainsi que tous les documents fournis avec la tondeuse.

### Instructions de sécurité

- Les enfants ou toute personne n'ayant pas lu cette notice ne doivent en aucun cas utiliser la tondeuse.



6m / 20ft  
360°

Lorsque vous tondez, tenez les enfants, les animaux et les tierces personnes à au moins 6 mètres de la tondeuse.

- L'utilisateur est responsable des accidents qui peuvent survenir aux autres.
- Portez toujours des chaussures robustes ou des bottes. L'herbe fraîchement coupée peut être glissante.
- Mettez des lunettes et des gants de protection.
- Ne tondez pas si l'atmosphère est humide ou près de matières inflammables.
- Ne tondez pas pieds nus ou en sandales.
- Portez un pantalon long pour protéger vos jambes des éventuelles projections.
- Avant d'utiliser votre tondeuse, ôtez la clé de sécurité et assurez vous que la lame et les écrous qui la serrent ne sont pas endommagés et que les écrous sont bien serrés.
- Assurez vous que votre pelouse ou surface de tonte soit dépourvue de pierre ou autres débris pouvant être projetés.

#### Utilisation

- Lorsque vous abaissez le guidon pour démarrer, ne le faites pas trop violemment. Assurez vous de votre bon équilibre et de

la position de vos pieds lorsque vous ramenez la tondeuse vers le sol.

- Evitez les mises en route accidentelles. Assurez vous que l'interrupteur de mise en route est coupé avant d'insérer la clé de sécurité.
- Relâchez l'interrupteur et ôtez la clé de sécurité chaque fois que:
  - Vous laissez la tondeuse sans surveillance.
  - Avant d'inspecter, de nettoyer ou de régler la tondeuse.
  - Avant de nettoyer un bourrage.
  - Si la tondeuse vibre anormalement.
- Après avoir heurté un objet afin de pouvoir évaluer et réparer les dommages éventuels.
- Ne démarrez jamais la tondeuse lorsqu'elle est sur le flanc.
- N'essayez pas d'arrêter la lame.
- Tenez vos pieds et mains à l'écart de la lame.
- Ne tondez pas sous la pluie et évitez si l'herbe est humide.
- Ne tondez qu'en plein jour.
- Ne tirez pas la tondeuse vers vous et ne marchez pas en reculant.
- Ne traversez pas des allées gravillonnées lorsque la tondeuse est en marche.
- Assurez vous toujours de votre équilibre, particulièrement si vous tondez dans une pente.
- Lorsque vous tondez une pente, faites le toujours en transversal et non de haut en bas. Soyez prudent lorsque vous changez de direction.
- Ne tondez jamais des pentes trop abruptes et portez des chaussures anti-dérapantes.
- Vérifiez régulièrement l'état du sac collecteur.
- Ne courez pas lorsque vous tondez.
- Ne portez jamais votre tondeuse lorsqu'elle est en marche et assurez vous que la lame est arrêtée.
- Lorsque vous transportez la tondeuse, ôtez toujours la clé de sécurité et ajustez la hauteur de coupe à une position moyenne.

- N'utilisez pas votre machine si le carter est endommagé.

### Entretien et rangement

- Rangez votre machine dans un endroit sec lorsque vous ne l'utilisez pas. Otez la clé de sécurité et mettez-la hors de portée des enfants.
- Pour nettoyer la machine, ôtez la clé de sécurité et utilisez un chiffon humide. Ne pas mettre de solvant ou tout autre produit de nettoyage.
- Ne chargez ou ne stockez pas votre tondeuse à l'extérieur.
- N'utilisez jamais votre machine si les pièces sont défectueuses.
- Assurez vous que les vis et écrous sont correctement serrés.
- N'utilisez que des accessoires ou pièces détachées Black & Decker.

## Caracteristiques techniques (Fig. A)

**A** Votre tondeuse GRC730 possède toutes les innovations et avancées technologiques de Black & Decker.

- Sans fil - pas de contrainte de câble d'alimentation.
- Pas d'essence, ni de mélange à faire avec de l'huile.
- Propre - pas d'émission de gaz d'échappement.
- Batterie rechargeable de 12 volts permettant de tondre des surfaces de 300m<sup>2</sup> en moyenne.
- Facile à démarrer - toujours du premier coup.
- Levier interrupteur (16) et clé de sécurité (24) pour éviter les mises en route accidentelles.
- Guidon ergonomique avec manche en mousse (10) pour un plus grand confort d'utilisation.
- Frein de lame qui arrête la lame en moins de 3 secondes lorsque l'on relâche le levier interrupteur.
- Réglage centralisé et rapide de la hauteur de coupe (20).
- 5 hauteurs de coupe pour s'adapter à toutes les conditions de tonte.
- Roues alignées avec le carter, permettant de tondre le long des murs ou des bordures.
- Sac collecteur grande capacité 30 litres (19), facile à mettre en place.

- Moteur 12 volts permettant de tondre et collecter efficacement avec un niveau sonore minimum.
- Le GRC730 offre une durée de marche, dans des conditions de coupe moyennes, d'environ 300m<sup>2</sup>. Cette durée de marche varie à la hausse comme à la baisse selon l'état de l'herbe, la hauteur de coupe utilisée et la vitesse de poussée.

La politique de Black & Decker étant d'améliorer continuellement la qualité des produits, nous nous réservons le droit de modifier les caractéristiques du produit par rapport à la notice.

## Montage

Votre carton contient:

- Une tondeuse et son guidon.
- Un sac contenant:
  - Deux clé de sécurité (24).
  - Une notice d'emploi.
  - Une clé de serrage de la lame (25).
- Un chargeur (26).
- Bride de la batterie (27).
- Ensemble du bac de ramassage (19) - voir la notice de montage ci-dessous.

## Assemblage du guidon (Fig. A & B)

**A** Sortez le contenu de son emballage et familiarisez-vous avec les pièces individuelles de la tondeuse.

Les pièces principales de la tondeuse, indiquées en Fig. A, sont les suivantes:

- Corps de la machine (1):
  - Dispositif de coupe (2)
  - Couverture du moteur (3)
  - Couverture de la batterie (4)
  - Volet (5)
  - Ensemble de la roue (6)
  - Goupille pivotante (7)
  - Grille (8)
- Poignée (9):
  - Poignée supérieure (10)
  - Poignée inférieure (11)
  - Molette de la poignée (12)
  - Levier de commutation (15)
  - Boîtier de commutation (16)
  - Câble électrique (17)
  - Attaches de retenue (18)

- La poignée inférieure (11) est déjà fixée au corps de la tondeuse.
- B1** • Il vous suffit de déplier la poignée en la soulevant jusqu'à ce que ses extrémités s'enclenchent dans leurs emplacements respectifs sur les côtés de la tondeuse. Ensuite, les molettes (12) peuvent être serrées.
- B2** • La poignée supérieure (10) est assemblée en installant les boulons (13) dans les trous de la poignée inférieure, en alignant la poignée supérieure à ces boulons et en les fixant en place à l'aide d'une rondelle (14) et ensuite de la molette (12).
- Serrez à la main uniquement. N'utilisez pas de clef anglaise.
- B3** • Lorsque les deux poignées sont assemblées, installez un serre-câble (18) sur la poignée supérieure et un autre sur la poignée inférieure. Enfilez le câble dans ces attaches en veillant à ce que le bac de ramassage puisse être retiré et mis en place sans obstruction.

## Montage du bac de ramassage (Fig. C)

**Remarque:** Veillez à ce que la batterie soit débranchée.

Veillez lire la notice de sécurité au début de ce manuel avant d'utiliser cet accessoire.

- C1** • Afin de commencer à monter le bac de ramassage, vérifiez que les pièces sont identiques à celles illustrées en Fig. C1.
- Fixez le bac de ramassage (encart) en insérant le bord du bac dans la rainure et en appuyant fermement dessus jusqu'à ce que l'attache s'enclenche sur le rebord du bac.
- C2** • Poussez le support fermement en place.
- C3** • Assemblez les deux attaches latérales au support, puis assemblez l'attache du bas.

## Informations sur la batterie

- La batterie est une batterie 12 Volts au plomb. Elle a été conçue pour pouvoir être stockée dans n'importe quelle position sans risque de fuite.
- **La batterie a été chargée à l'usine. Il est toutefois indispensable de la recharger totalement avant la première utilisation.**
- La batterie doit être rechargée après chaque utilisation.
- Pour le stockage d'hiver, assurez vous que:
  - La tondeuse est complètement chargée.
  - La température de stockage est inférieure 25°C.

- Le stockage dure moins de 6 mois.
- Stockez toujours votre tondeuse dans un endroit sec et frais.
- Tenez la tondeuse et la batterie à l'écart de l'humidité, des sources de chaleur (radiateurs, chaudières...), des flammes ou de produits chimiques.

### Bride de la batterie

- Repérez la batterie et sa bride de transport.
- Repliez les côtés de la bride vers le haut et mettez la batterie en place.
- Cliquez les brides ensemble en veillant à bien repérer chaque trou.
- La bride doit toujours rester sur la batterie.

## Instructions de charge

- Chargez toujours votre tondeuse dans un endroit où la température est de plus de 5°C et n'excède pas 40°C.

### Pour charger

- La batterie de la tondeuse peut être chargée sur la tondeuse ou peut être déposée et chargée à l'écart de la tondeuse, si vous n'êtes pas à proximité d'une prise de courant.

### Pour charger la batterie SUR la tondeuse

- Enlevez la clef de sécurité (24) et mettez-la dans un endroit sûr, à l'écart des enfants.
- Enlevez le couvercle de la batterie (4) en enfonçant les symboles de verrouillage de chaque côté du couvercle. Le couvercle peut être entièrement enlevé.
- Débranchez le fil de la batterie (rouge et noir) en le tirant de la prise sur le côté du logement de la batterie.
- La prise rouge et noire du chargeur est alors branchée sur la prise rouge et noire de la batterie.

**Note:** La prise de la batterie ne peut être montée que dans un sens.

- Branchez le chargeur sur la prise d'alimentation et mettez-le en marche.
- Le voyant rouge situé sur le chargeur s'allumera. Ceci indique que la batterie est en cours de charge.
- Lorsque la batterie est chargée, soit après 24 à 30 heures, le voyant rouge s'éteint et le voyant vert s'allume.

- Il est possible de laisser la batterie en charge jusqu'à ce qu'elle soit prête à l'usage, sans encourir aucun risque.
- Débranchez le chargeur de la batterie et branchez la batterie sur la prise de la tondeuse.
- La tondeuse est maintenant prête à l'usage.

#### Pour charger la batterie A L'ECART de la tondeuse

- Retirez la clef de sécurité et le couvercle de la batterie, comme indiqué ci-dessus, et débranchez la batterie.
- Soulevez la batterie de la tondeuse en utilisant la poignée de transport.
- Chargez la batterie comme expliqué ci-dessus.
- Après l'avoir chargée, remettez-la dans la tondeuse et branchez-la sur la prise de la tondeuse.

### Important!

#### Rechargez totalement votre tondeuse après chaque utilisation.

Une batterie stockée sans être totalement chargée perd en performance.

#### Rechargez totalement la tondeuse avant l'hiver.

### Changement de batterie

Si la batterie a besoin d'être remplacée, d'échangez la en faisant tourner la machine jusqu'à l'arrêt du moteur et ôtez-la.



**Attention!** la batterie peut encore être légèrement chargée après l'arrêt du moteur. Il est donc indispensable d'utiliser des outils isolants pour ôter la batterie.



Ce symbole indique que cette batterie au plomb ne doit pas être jetée avec les ordures ménagères. Vous devez impérativement la rapporter dans une agence de service après-vente ou auprès d'une déchèterie ou un organisme contrôlé et agréé pour recycler les batteries.



**Ne la détruisez pas par le feu.** La batterie peut exploser.

Si la performance de tonte vous semble insuffisante, référez vous au chapitre "Recherche de panne".



**Attention!** N'inversez pas les pôles car la lame tournerait dans le mauvais sens et le chargeur serait endommagé dès la première charge.

### Utilisation de la tondeuse (Fig. D & E)

**Important! Respectez toutes les consignes de sécurité.**



**Attention!** N'utilisez jamais votre tondeuse en ne la guidant que d'une seule main.



#### Clé de sécurité



- Afin de prévenir toute mise en marche accidentelle ou une utilisation interdite de votre tondeuse, celle-ci est pourvue d'une clé de sécurité. La tondeuse ne peut être mise en route si la clé est retirée.

**Remarque:** La clé est munie d'un trou qui permet de l'accrocher hors de portée des enfants.



**Attention!** Otez toujours la clé lorsque vous laissez la tondeuse sans surveillance ne serait-ce qu'un court instant.

- Votre clef de sécurité se trouve dans le jeu de pièces (plus une de rechange).

#### Mise en route

- Insérez à fond la clé de sécurité.
- Basculez légèrement le guidon vers le bas pour soulever l'avant de la machine afin d'éviter un bourrage au démarrage.

D1

- Votre machine est munie d'un levier interrupteur qui rend impossible toute mise en route accidentelle.

- Pour démarrer, insérez votre doigt dans l'ouverture et poussez le levier vers vous afin de pouvoir le tirer avec votre main.

D2

- Tirez le levier jusqu'au guidon et tenez le ainsi pour faire fonctionner la tondeuse.

- Pour arrêter la tondeuse, il suffit de relâcher le levier qui reprendra sa position initiale.

Lorsque vous avez fini de tondre, nous vous conseillons de bien nettoyer votre tondeuse. Il est primordial de retirer la clé avant de nettoyer. Consultez le chapitre "Entretien".

**Remarque:** Pour obtenir de meilleurs résultats, nous vous conseillons de tondre régulièrement et d'éviter de le faire lorsque l'herbe est humide.

Lorsque vous tondez, si des paquets d'herbe coupée apparaissent derrière la tondeuse, il est probable que le sac est plein.

#### Mise en place du sac

E

- Saisissez le sac par sa poignée (19).
- Soulevez le capot protecteur (5) et passez le sac au travers du guidon et posez-le en alignant les flèches.
- Puis relâchez le capot protecteur (5) qui va se replacer sur le haut du sac (19).

## Pour enlever le sac

Le sac plein peut être retiré en soulevant le capot protecteur (5) et en ôtant le sac par dessus le guidon.

## Réglage de la hauteur de coupe (Fig. F)



**Attention!** Ôtez la clé de sécurité avant tout réglage et attendez que la lame ait fini de tourner.

F

- Vous pouvez sélectionner une des 5 hauteurs possible en actionnant la manette située vers la roue arrière de la machine.

**Remarque:** La manette est sous tension lorsqu'elle est engagée. Il faut la tirer légèrement vers l'extérieur avant de l'actionner.

- Les réglages 1,2 et 3 conviennent à l'herbe épaisse ou trop longue, Les réglages 4 et 5 doivent être utilisés pour entretenir les pelouses cultivées. Le réglage 5 ne doit être utilisé que si vous désirez une coupe très courte.

## Entretien de la lame

La lame en acier est conçue pour donner une très bonne qualité de tonte.

Si malgré tout la qualité de la coupe se détériore, la lame doit être changée ou réaffûtée.

Nous vous conseillons d'effectuer cette opération à chaque début de saison.

Les lames de rechange **A6157** sont disponibles chez votre revendeur Black & Decker.



**Attention!** N'utilisez que cette lame Black & Decker.

## Mise en place de la lame (Fig. G)



**Attention!** Observez toutes les consignes de sécurité et retirez la clé de sécurité.



G1

- Tournez la tondeuse sur le flanc.
- Mettez des gants protecteurs.
- A l'aide d'un chiffon placé sur la lame, saisissez-la et dévissez l'écrou avec la clé de serrage fournie avec la tondeuse.

G2

- Ôtez l'écrou, la lame et les plaques.
- Avant de remettre la lame, assurez vous que les parties tranchantes sont orientées vers le sol.

G3

- Remettez les plaques en les alignant bien sur la lame.

G4

- Remplacez l'écrou et resserrez le fermement.
- Assurez vous que vous avez bien remplacé toutes les pièces correctement afin de ne pas endommager la tondeuse.

## Protection thermique

Votre tondeuse est pourvue d'un disjoncteur thermique.

Si vous tondez trop vite ou une herbe trop haute et humide, vous pouvez faire surchauffer le moteur. Le disjoncteur de surchauffe arrêtera alors la machine. Il ne s'agit pas d'une panne, mais d'un dispositif de protection du moteur.

Lorsque cela se produit, ôtez la clé et attendez 1 à 2 minutes avant de nettoyer un éventuel bourrage et redémarrez.

Si cela se reproduit dans les 10 minutes qui suivent, il est nécessaire de rehausser la hauteur de coupe.

Afin d'éviter de telles situations :

- Tondez votre pelouse régulièrement.
- Ne tondez pas de l'herbe humide.
- Lorsque l'herbe fait plus de 10cm, nous vous conseillons de faire un premier passage avec le réglage à la hauteur maximum puis un second à la hauteur désirée.

## Entretien

- Prenez garde à ce que votre tondeuse soit toujours propre. En particulier le carter de lame et les ailettes d'aération.
- Nettoyez les parties en plastique à l'aide d'un chiffon humide.
- **Attention!** N'utilisez pas de solvants ou de produits de nettoyage qui pourraient détériorer le plastique.

## Recherche de panne

Si votre tondeuse ne fonctionne pas correctement, référez vous au tableau suivant:

Problème	Solution
La tondeuse ne démarre pas lorsque le levier est actionné	(a) Assurez vous que la clé de sécurité est bien en place. b) Ôtez la clé, retournez la clé machine et assurez vous que la lame n'est pas bloquée.



Problème	Solution
La tondeuse s'arrête.	<p>c) La batterie est-elle chargée? Branchez le chargeur et attendez la lumière verte.</p> <p>a) Otez la clé de sécurité, retournez la machine et assurez vous que la lame n'est pas bloquée.</p> <p>b) Rehaussez la hauteur de tonte et redémarrez.</p> <p>c) La batterie est-elle chargée? Branchez le chargeur et attendez la lumière verte.</p> <p>d) Otez la clé et attendez 1 à 2 minutes avant de nettoyer un éventuel bourrage et redémarrez.</p>
La tondeuse marche mais la performance est insuffisante.	<p>a) La batterie est-elle chargée? Branchez le chargeur et attendez la lumière verte.</p> <p>b) La batterie peut-avoir besoin d'être changée.</p>
La tondeuse est trop lourde à pousser.	<p>a) Rehaussez la hauteur de tonte pour réduire les frottements. Vérifiez que les roues ne sont bloquées.</p>
La tondeuse vibre et est anormalement bruyante.	<p>a) Otez la clé de sécurité. Vérifiez si la lame est en bon état.</p> <p>b) S'il n'y a pas de trace de dégât, amenez votre machine à votre agence Black &amp; Decker la plus proche.</p>



**Attention!** Retirez toujours la clé de sécurité avant toute manipulation ou inspection.

## Que faire si votre tondeuse doit être réparée?

La liste des agences Black & Decker est indiquée avec votre carte de garantie. Gardez la soigneusement.

## Autres produits Black & Decker

Black & Decker propose une gamme complète d'outillage électrique de jardin. Pour toute information sur les produits suivants, contactez votre revendeur habituel ou notre service consommateur.

### Attestation de conformité EC

Nous déclarons que les produits: **GRC730** sont conformes aux 89/392/EEC, 89/336/EEC, 73/23/EEC, EN55104, EN55014, EN60355

Niveau de pression acoustique @ 4m 80dB (A)  
Niveau de puissance acoustique 91dB (A)  
Niveau de vibration main-bras 2.5m/s<sup>2</sup>

Brian Cooke


Directeur du développement  
Spennymoor, County Durham DL16 6JG, United Kingdom

# Snoerloze maaier GRC730

## Gebruiksaanwijzing

Van harte gefeliciteerd met uw aankoop van deze snoerloze grasmaaier! In deze gebruiksaanwijzing vindt u de voorschriften voor de bediening en het onderhoud van de snoerloze maaier Black & Decker GRC730.

### Ken uw machine

 Lees deze gebruiksaanwijzing zorgvuldig door. Neem alle aanbevolen veiligheidsvoorschriften in acht vóór, tijdens en na het gebruik van de machine. Onderhoud uw machine goed en zorg ervoor dat ze steeds perfect werkt.

Maak uzelf vertrouwd met de bedieningsfuncties van de machine vooraleer u ermee probeert te werken en zorg er vooral voor dat u precies weet hoe u de machine in noodgevallen moet afzetten.

Bewaar deze gebruiksaanwijzing en alle andere bijgeleverde informatie bij de machine, zodat u ze later te allen tijde kunt raadplegen.

### Veiligheidsvoorschriften

#### Algemeen

- Laat kinderen of mensen die met dit soort maaiers niet vertrouwd zijn, er nooit mee werken. Geef de maaier ook nooit in handen van mensen die deze gebruiksaanwijzing niet hebben gelezen.



Laat kinderen, dieren of andere personen niet in de buurt van de maaier komen wanneer u ermee aan het werken bent - houd hen altijd op een afstand van minstens 6 meter van het maaigebied.

- Denk eraan dat de bediener/gebruiker verantwoordelijk is voor ongevallen, letsels of schade toegebracht aan andere mensen of hun eigendommen.

#### Vorbereiding

- Draag altijd stevige schoenen of laarzen om uw voeten te beschermen - vers gemaaid gras is vochtig en glad.
- Gebruik een veiligheidsuitrusting. Draag bij het maaien altijd een beschermende bril of stofbril. Gebruik een stofmasker wanneer er veel stof wordt gevormd.
- Werk niet in een omgeving met ontplofbare gassen.



- Maai nooit blootsvoets of met open sandalen aan.
- Draag een lange broek om uw benen te beschermen - afval dat op het gazon of in het maaigebied ligt, kan door de snijmesses worden opgepakt en weggeslingerd.
- Zorg er steeds voor dat de maaier goed en veilig functioneert.
- Verwijder de veiligheidsleutel voor u de maaier gebruikt en controleer of het snijmes, de bladmoer en het snijgedeelte niet versleten of beschadigd zijn. Beschadigde snijmesses en versleten bladmoeren moeten worden vervangen. Controleer ook of de bladmoer stevig is vastgedraaid.
- Controleer altijd of er geen stokken, stenen, draad of ander afval op uw gazon of in het maaigebied liggen. Dergelijk afval kan de maaier beschadigen en door de snijmesses worden weggeslingerd.

#### Werkning

- Wanneer u de hendel naar beneden drukt om het voorste deel van de maaier lichtjes op te heffen zodat hij probleemloos opstart, druk hem dan niet verder dan absoluut noodzakelijk is. Zorg er altijd voor dat u beide handen in de bedieningszone houdt en dat uw voeten uit de buurt van de snijmesses blijven vooraleer u de maaier opnieuw op de grond zet.
- Vermijd dat de maaier per ongeluk aanslaat. Vergewis u ervan dat de schakelaar in het omhulsel is verzonken wanneer u de veiligheidsleutel insteekt.
- Laat de schakelhendel los om de maaier uit te schakelen en verwijder de veiligheidsleutel:
  - Telkens wanneer u de maaier onbewaakt achterlaat.
  - Voor u de maaier controleert, schoonmaakt of onderhoudt.
  - Voor u een verstopping vrijmaakt.
  - Als de maaier abnormaal begint te trillen (controleer dit onmiddellijk).
  - Als u een vreemd voorwerp hebt geraakt, controleer dan onmiddellijk

of de maaier beschadigd is en herstel de eventuele schade.

- Laat de maaier nooit draaien wanneer hij op zijn zijkant ligt of probeer nooit om het snijmes te stoppen - laat dit altijd vanzelf tot stilstand komen.
- Blijf met uw handen of voeten uit de buurt van ronddraaiende delen.
- Blijf steeds uit de buurt van de afvoeropeningen.
- Start de maaier voorzichtig en volg de voorschriften, zorg ervoor dat uw voeten op veilige afstand van de snijmesses verwijderd zijn.
- Gebruik de maaier niet in de regen en maai indien mogelijk nooit nat gras.
- Maai alleen bij daglicht of bij zeer helder kunstlicht.
- Trek de maaier niet naar u toe of loop niet achterwaarts tijdens het maaien.
- Steek geen kiezelpaden of verharde wegen over terwijl de snijmesses draaien.
- Zorg er altijd voor dat u stevig staat, vooral op een helling.
- Maai altijd van links naar rechts op een helling, nooit van boven naar beneden. Wees uiterst voorzichtig wanneer u op een helling van richting verandert.
- Maai geen bijzonder steile hellingen en draag altijd schoeisel met anti-slipzolen.
- Controleer de grasopvangbak regelmatig op slijtage of beschadigingen en vervang hem indien nodig.
- Stap altijd met een normaal tempo, loop nooit. Forceer de maaier niet.
- Til de maaier nooit op of draag hem nooit terwijl de motor aan het draaien is. Vergewis u ervan dat de snijmesses niet meer draaien wanneer u de maaier optilt om hem van en naar het maai gebied te brengen.
- Wanneer u de machine verplaatst, verwijder dan altijd de veiligheidssleutel, kies één van de middelste maaistanden en til de maaier bijzonder voorzichtig op.
- Gebruik de maaier nooit wanneer de beschermkappen of -platen defect zijn.

#### Onderhoud en opberging

- Berg de maaier op een droge plaats en buiten het bereik van kinderen op als hij niet wordt gebruikt. Verwijder de veiligheidssleutel.
- Gebruik geen oplosmiddelen of reinigingsvloeistoffen om uw maaier schoon te maken - gebruik een botte schrapper om

gras en vuil weg te schrapen. Verwijder altijd de veiligheidssleutel voor u de maaier schoonmaakt.

- Laad of berg de maaier nooit buiten op.
- Gebruik de maaier nooit wanneer onderdelen beschadigd zijn: laat alle defecte onderdelen verwijderen en nieuwe onderdelen monteren voor u de maaier gebruikt.
- Vervang voor uw eigen veiligheid steeds alle versleten of beschadigde onderdelen. Wij raden u aan om dit te laten doen.
- Span alle moeren, bouten en schroeven stevig aan om een veilige werking van uw maaier te verzekeren.
- Gebruik alleen door Black & Decker aanbevolen vervangonderdelen en accessoires.

---

### Eigenschappen (Fig. A)

**A** Door uw aankoop van een Black & Decker GRC730 snoerloze maaier beschikt u over een product dat kwaliteit combineert met modern design. De volgende eigenschappen garanderen dat u veilig, doeltreffend en gemakkelijk kunt maaien.

- Snoerloos - u hebt bij het maaien geen verlengsnoeren nodig.
- Brandstofvrij - u hoeft geen benzine en olie te kopen, te mengen, op te slaan of te vervoeren.
- Schoon - er is geen uitstoot van verbrandingsgassen, de maaier is dus milieuvriendelijk.
- Herooplaadbare batterij van 12V - biedt voldoende vermogen om 300m<sup>2</sup> gras te maaien.
- Gemakkelijk te starten - start altijd meteen.
- Speciaal ontworpen schakeldoos (16) en veiligheidssleutel (24) om te verhinderen dat de maaier per ongeluk aanslaat.
- Ergonomisch ontworpen naar boven gebogen hendel voor comfortabel gebruik en om gemakkelijk te kunnen duwen (10).
- Een remmechanisme voor het snijmes (auto-stop) voor nog meer veiligheid. Het draaiend snijmes komt binnen de 3 seconden tot stilstand wanneer de schakelhendel wordt losgelaten.
- Grote vleugelmoeren aan de hendel voor gemakkelijke montage en opberging.
- Snelle en gemakkelijke afstelling van de maaihoogte door middel van een eenvoudige hendel (20).

- 5 maaioogtes waarmee u de maaier aan de meeste maaiomstandigheden kunt aanpassen.
- Verzonken wielen waarmee u tot aan de rand van het gazon kunt maaien.
- Grasopvangbak met grote capaciteit (30 liter) voor langere maaiperiodes (19).
- Gemakkelijk te verwijderen grasopvangbak. Gladde afwerking van de onderkant voor betere maairesultaten en een optimale maaikwaliteit.
- Stevige en duurzame kunststofkap, die niet roest en het lawaai en de trillingen tot een minimum beperkt.
- Krachtige en doeltreffende permanente magneetmotor van 12V voor efficiënte maairesultaten en grasopvang onder alle normale omstandigheden; garandeert bovendien een gering geluidsniveau.
- De GRC730 maait een oppervlak van 300m<sup>2</sup> onder gemiddelde maaiomstandigheden. Deze looptijd kan variëren en is afhankelijk van de staat van het gras, de ingestelde maaioogte en de duwsnelheid.

Black & Decker streeft ernaar om zijn producten voortdurend te verbeteren en behoudt zich dan ook het recht voor om de productspecificaties zonder voorafgaande kennisgeving te wijzigen.

## Uitpakken en monteren

De doos van uw grasmaaier bevat:

- De maaier en de hendels.
- Een zak met onderdelen, met:
  - 2 veiligheidssleutels (24).
  - Een gebruiksaanwijzing.
  - Een bladmoersleutel (25).
- Een acculader (26).
- Een batterijriem (27).
- Een graszak montage (19) - zie hieronder voor montage instructies.

## Montage van de hendel (Fig. A & B)

**A** De inhoud uit de doos halen en uzelf vertrouwd maken met de individuele onderdelen van de grasmaaier.

De voornaamste onderdelen van de grasmaaier die in Fig. A worden vertoond zijn:

- Hoofddeel grasmaaier (1):
  - Messenhuis (2)
  - Afdekplaat motor (3)

- Afdekplaat batterij (4)
- Afdichtklep (5)
- Wielmontage (6)
- Draaibout (7)
- Rooster (8)
- Duwboom (9):
  - Bovenste duwboom (10)
  - Onderste duwboom (11)
  - Vleugelmoer (12)
  - Schakelaar (15)
  - Schakelaarhouder (16)
  - Electriciteitskabel (17)
  - Kabelklemmen (18)
- De onderste duwboom (11) is in de fabriek aan de grasmaaier gemonteerd.

### B1

- Vouw de duwboom open, til de duwboom op totdat de uiteinden van de duwboom aan de zijkanten van de grasmaaier op hun plaats springen. Hierna kunnen de vleugelmoeren (12) worden vastgedraaid.

### B2

- Monteer de bovenste duwboom (10) door de bouten (13) door de gaten in de onderste duwboom te bevestigen, de bovenste duwboom hiermee op één lijn te zetten en zet vervolgens met een dichtingsring (14) de vleugelmoer (12) vast.
- De knoppen uitsluitend met de hand vastdraaien. Geen steeksleutel gebruiken.

### B3

- Nadat beide duwbomen zijn gemonteerd zowel een kabelklem (18) in de bovenste als onderste duwboom bevestigen. De kabel hierin klemmen en ervoor zorgen dat de graszak gemakkelijk geplaatst en verwijderd kan worden.

## De grasopvangzak monteren (Fig. C)

**Opmerking:** Zorg ervoor dat de batterij losgekoppeld is.

Lees voor het gebruik van dit toebehoren eerst de veiligheidsinstructies in het voorste gedeelte van deze gebruiksaanwijzing.

### C1

- Voordat u de grasopvangzak monteert eerst controleren of de onderdelen overeenkomen met de onderdelen in Fig. C1.

- Zet de grasopvangzak vast door de rand van de zak in het kanaal te steken en stevig naar beneden te duwen totdat de klem over de rand sluit.

C2

- Het frame stevig op zijn plaats duwen.

C3

- De twee zijklemmen aan het frame vastmaken en vervolgens de onderklem bevestigen.

## Informatie over de batterij

- De batterij in uw snoerloze maaier is een hermetisch dichte loodzuuraccu van 12 Volt. Deze batterij werkt met geabsorbeerd elektrolyt en kan derhalve in om het even welke positie worden opgeborgen zonder gevaar voor lekkage.
- **De batterij werd in de fabriek opgeladen, maar moet toch worden heropgeladen voor u de maaier voor het eerst gebruikt, om er zeker van te zijn dat ze volledig is opgeladen.**
- Voor optimale prestaties moet de batterij na elk gebruik worden heropgeladen.
- Wanneer u de maaier voor de winter opbergt, moet u ervoor zorgen dat:
  - De maaier voor het opbergen volledig is opgeladen.
  - De temperatuur van de opbergruimte minder dan 25°C bedraagt.
  - De maaier niet langer dan 6 maanden wordt opgeborgen.
- Berg de maaier altijd op een droge en koele plaats op.
- Houd de maaier en de batterij steeds uit de buurt van water, warmtebronnen (zoals radiatoren, verwarmingstoestellen, kachels, etc.), vlammen of chemicaliën.

### Batterijriem

- De batterij en de draagriem vinden.
- De zijkanten van de riem opvouwen en de batterij op zijn plaats zetten.
- De riemen samenklikken en ervoor zorgen dat elk gat bevestigd wordt.
- De riem dient te allen tijde op de batterij gehouden te worden.

## Voorschriften voor het opladen



- Laad uw maaier altijd binnen op, in een goed verluchte, droge ruimte die beschermd is tegen weersinvloeden.
- Laad de maaier op in een ruimte met een temperatuur tussen 5°C en 40°C.

## Opladen

- De batterij op uw grasmaaier kan op de grasmaaier worden opgeladen of worden verwijderd en apart worden opgeladen als er geen stopcontact binnen bereik van de grasmaaier is.

### Het opladen van de batterij OP de grasmaaier

- De veiligheidssleutel (24) verwijderen en op een veilige plaats buiten het bereik van kinderen opbergen.
- De afdekplaat (4) van de batterij halen door de vergrendelingsymbolen op de zijkanten van de afdekplaat in te drukken. De afdekplaat kan in zijn geheel worden verwijderd.
- De voedingsdraad (rood en zwart) van de batterij losmaken door het uit de contactdoos aan de zijkant van de batterij-inkeping te trekken.
- De rode en zwarte contactdoos van de oplader wordt vervolgens met de rode en zwarte contactdoos van de batterij verbonden.

**Let op:** De contactdoos van de oplader kan slechts op één manier bevestigd worden.

- Het laadapparaat op het elektriciteitsnet aansluiten en inschakelen.
- Het rode lichtje op de oplader gaat branden. Dit geeft aan dat de batterij wordt opgeladen.
- Als de batterij volledig geladen is, gewoonlijk na 24 tot 30 uur, gaat het rode lichtje uit en het groene lichtje gaat branden.
- U kunt uw batterij veilig tot gebruik in de oplader laten staan.
- De oplader van de batterij losmaken en de batterij aan de contactdoos op de grasmaaier bevestigen.
- U kunt uw grasmaaier nu gebruiken.

### Het opladen van de batterij APART van de grasmaaier

- De veiligheidssleutel en de afdekplaat van de batterij, zoals hierboven omschreven, verwijderen en de batterij losmaken.
- De batterij met behulp van de draaghendel uit de grasmaaier tillen.
- De batterij, zoals hierboven omschreven, opladen.
- De batterij na het opladen terug in de grasmaaier plaatsen en aan de contactdoos op de grasmaaier bevestigen.

## Belangrijk

### De maaier onmiddellijk na het gebruik volledig opladen.

Om met uw maaier maximale prestaties te behalen en de batterij zolang mogelijk te kunnen gebruiken, is het belangrijk dat u de batterij na elk gebruik onmiddellijk weer oplaadt. De batterij kan namelijk uitvallen als de maaier wordt opgeborgen zonder dat ze volledig is opgeladen.

### De maaier volledig opladen voor het opbergen in de winter.

Wanneer u de maaier voor de winter wilt opbergen, is het belangrijk om de batterij volledig op te laden. De batterij kan namelijk uitvallen als de maaier wordt opgeborgen zonder dat ze volledig is opgeladen.

## Verwijderen van de batterij

Wanneer de batterij van de maaier moet worden vervangen, ontlad dan de batterij door de maaier te laten draaien tot de motor stilvalt. Verwijder de batterij uit de maaier.



**Opgelet!** De batterij kan nog een restlading bevatten, zelfs nadat de motor is stilgevallen. Daarom moet een bescherming worden voorzien tegen toevallige kortsluiting van de batterijklemmen door niet-geïsoleerde werktuigen of geleidende materialen, zoals staalwol of aluminiumfolie.

De batterijen moeten op een milieuvriendelijk manier worden verwerkt.



Dit symbool geeft aan dat de loodzuurbatterij van deze maaier op een milieuvriendelijke manier moet worden verwerkt en niet met het gewoon huishoudelijk afval mag worden meegegeven, aangezien dit in een verbrandingsoven of op een stortplaats kan terecht komen.



Loodzuurbatterijen kunnen schadelijk zijn voor het milieu en ontploffen wanneer ze in het vuur worden gegooid. **Verbrand nooit loodzuurbatterijen.**

Breng de batterij naar een Black & Decker Service Center, naar uw plaatselijke dealer of naar uw plaatselijk afvalverwerkingsdepot. Indien nodig kunt u de lokale overheid contacteren voor meer informatie over een milieuvriendelijke afvalverwijdering.

Als de maaiprestaties beginnen te verslechteren, lees dan de gids "Tips voor het oplossen van problemen".



**Opgelet!** Breng de batterijkabels niet gekruist aan wanneer u een nieuwe batterij plaatst, want hierdoor zou het snijmes in omgekeerde richting draaien tot de batterij ontladen is. Wanneer u daarna probeert om

de batterij opnieuw op te laden, zal de laadkring van de acculader worden beschadigd zodra u de stekker van de acculader insteekt.

## Hoe moet u de maaier gebruiken? (Fig. D & E)

**Belangrijk! Neem steeds alle toepasselijke waarschuwingen in acht als u de maaier gebruikt.**



**Opgelet!** Probeer nooit om uw maaier met één hand te bedienen. Stuur de maaier steeds met beide handen.



### Veiligheidsleutel



- Om te vermijden dat uw snoerloze maaier per ongeluk start of dat onbevoegden ermee zouden werken, werd een afneembare veiligheidssleutel ingebouwd. De maaier is volledig uitgeschakeld als deze veiligheidssleutel uit de maaier is getrokken.

**Opmerking:** De veiligheidssleutel heeft een gat in het midden om hem aan een haak, buiten het bereik van kinderen, op te hangen.



**Opgelet!** Trek de veiligheidssleutel altijd uit de maaier als u deze, zelfs voor enkele ogenblikken, onbewaakt achterlaat.

- U kunt de veiligheidssleutel in het onderdelenpakket vinden (plus een reservesleutel).

### Starten

- Steek de veiligheidssleutel in de maaier en druk hem volledig op zijn plaats.
- Druk de hendel naar beneden om het voorste deel van de maaier lichtjes op te heffen zodat het gazon bij het starten niet wordt beschadigd.

## D1

- Uw maaier is voorzien van een speciale aan/uit-schakelhendel. Deze schakelhendel is verzonken in het omhulsel van het handvat om te vermijden dat de maaier per ongeluk zou starten.

- Steek, om de schakelhendel te bedienen, uw vinger in de opening en druk de hendel naar buiten zodat u er met de andere hand aan kunt trekken.

## D2

- Trek de schakelhendel tegen de maaierhendel en houd hem in die stand om de motor draaiende te houden.

- Laat de schakelhendel gewoon los om de motor af te zetten. Door de veerverwerking springt de schakelhendel automatisch terug in zijn oorspronkelijke stand in het omhulsel van het handvat.

Wanneer u klaar bent met maaien, raden wij u aan om de maaier schoon te maken en het afval te verwijderen vooraleer u hem opbergt. Het is belangrijk dat u de veiligheidssleutel verwijdert voor u de maaier schoonmaakt. Lees hiervoor de paragraaf "Onderhoud van uw machine".

**Opmerking:** Om de beste resultaten te krijgen, moet u het gazon of de grasvlakte regelmatig maaien en het gras niet maaien terwijl het nat is.

Wanneer u tijdens het maaien merkt dat er afgemaaid gras onderaan uit de maaier valt, is de grasopvangbak waarschijnlijk vol en moet deze worden leeggemaakt.

### De grasopvangbak aan de maaier bevestigen

- Neem het handvat aan de bovenkant van de grasopvangbak (19) vast.
- Til de klep van de grasopvangbak (5) op, leid de grasopvangbak onder de onderste hendelbuis door en bevestig hem aan de achterkant van de maaier zodat de pijlen ↓ op de maaikap en op de bovenkant van de grasopvangbak recht tegenover elkaar staan.
- Laat vervolgens voorzichtig de klep van de grasopvangbak (5) los; deze zal automatisch op zijn plaats terugklappen boven op de grasopvangbak (19).

### De grasopvangbak verwijderen

U kunt de volle grasopvangbak verwijderen door de klep van de grasopvangbak (5) op te tillen, ofwel de grasopvangbak op te heffen en onder de onderste hendel door te halen.

## De maaihoogte instellen (Fig. F)



**Opgelet!** Verwijder de veiligheidssleutel voor u de hoogte instelt en wacht tot het snijmes tot stilstand is gekomen; de snijmesses zijn bijzonder scherp.

F

- Door de afstelhendel voor de maaihoogte achteraan op de maaier buiten de maaikap te trekken en hem vervolgens naar omhoog of naar omlaag te verschuiven, kunt u 5 verschillende maaihoogten instellen.

**Opmerking:** Wanneer de afstelhendel op één van de 5 hoogtestanden is ingesteld, is de hendel vergrendeld. Trek hem naar buiten toe om hem in een andere stand te zetten.

Als u hem loslaat, zal hij automatisch weer op zijn plaats springen.

- Standen 1, 2 en 3 zijn geschikt voor grof gras of gras dat te lang is geworden. Standen 4 en 5 worden gebruikt om het gazon bij te houden. Stand 5 dient uitsluitend te worden gebruikt als u het gras zeer kort wilt maaien.

## Onderhoud van de snijmesses

Het stalen snijmes is speciaal ontworpen voor een fijne afwerking van lang of hard gras.

Wanneer de snijprestaties van het mes door beschadiging of slijtage echter verminderen, is het mogelijk dat uw maaier een nieuw snijmes nodig heeft of dat het gemonteerde snijmes moet worden geslepen.

Wij raden u aan om bij het begin van elk maaiseizoen het stalen snijmes te slijpen of een nieuw snijmes aan te brengen.

**A6157**-vervangmesses zijn verkrijgbaar bij alle Black & Decker- dealers en Service Centers.



**Opgelet!** Wanneer u een nieuw snijmes aanbrengt, gebruik dan alleen de Black & Decker-vervangonderdelen die geschikt zijn voor uw machine - probeer niet om een ander snijmes te monteren.

## Een nieuw snijmes aanbrengen (Fig. G)



Neem alle onderstaande waarschuwingen in acht voor u een snijmes vervangt.



**Opgelet!** Verwijder de veiligheidssleutel voor u het snijmes vervangt.

G1

- Draai de maaier op zijn kant zodat de onderkant van de maaikap bloot komt te liggen.

- Draag handschoenen om uw handen te beschermen.

- Leg een doek over het snijmes of draag zware werkhandschoenen om uw handen te beschermen. Neem het snijmes vast, draai met de bijgeleverde spansleutel de moer tegen de klok in van de motoras los en verwijder ze.

G2

- Verwijder de moer, het vierkant afdekplaatje, het koppelingsplaatje en het snijmes.
- Zorg er bij het vervangen van het snijmes voor dat de snijranden naar de grond zijn gekeerd en leg het snijmes op de montageplaat.

G3

- Schuif het koppelingsplaatje over de kraag van de montageplaat die door het snijmes heensteekt. Zorg ervoor dat de

binnenranden precies op één lijn liggen met de buitenranden van het snijmes.

G4•

Plaats het vierkante stalen afdekplaatje van het snijmes op de motoras zodat de binnenste kanten over de as schuiven en de buitenranden over het plastic koppelingsplaatje grijpen. Bevestig de moer op de as en draai ze met de klok mee.

- Zorg ervoor dat alle verwijderde onderdelen weer correct op hun plaats zijn aangebracht voor u de maaier gebruikt. Een verkeerde montage kan uw maaier beschadigen en de snijprestaties verminderen.

**Opgelet:** Deze machine is tussen de bladmoer en het snijmes voorzien van een koppelingsplaatje (24), dat altijd correct moet worden gemonteerd. Beschadigde onderdelen van het snijmes moeten worden vervangen voor gebruik.

## Beveiliging tegen overbelasting

Uw maaier is voorzien van een beveiliging tegen overbelasting.

Wanneer u te snel werkt in lang gras of onder moeilijke maaioomstandigheden kunt u de motor overbelasten. Dit merkt u doordat de maaier beduidend trager gaat werken en uiteindelijk stopt doordat de overbelastingsbeveiliging in werking treedt.

Dit is geen defect maar een veiligheidsonderdeel om de machine te beschermen.

Wanneer dit gebeurt, verwijder dan de veiligheidssleutel en wacht 1 tot 2 minuten om de motor te laten afkoelen. Verwijder eventuele obstakels en controleer of het snijmes vrij kan draaien. Steek de veiligheidssleutel weer in de maaier en gebruik de schakelhendel om de machine opnieuw te starten.

Wanneer het uitschakelmechanisme binnen 10 minuten weer in werking treedt, moet u een hogere maaistand kiezen (zie "De maaihogte instellen").

Wanneer de maaier erg overbelast is, kan het langer duren voor hij opnieuw start. In dergelijke gevallen moet u de motor laten afkoelen nadat u hem hebt teruggesteld.

Houd voor optimale resultaten rekening met het volgende:

- Maai het gras regelmatig.
- Maai geen nat gras.
- Maai gras dat langer is dan 10 cm best eerst op een hoge maaistand en werk het vervolgens af op een lagere maaistand.

## Onderhoud van uw machine

De tips in deze paragraaf hebben betrekking op het algemeen onderhoud van het hoofdgedeelte van uw

maaier. Tips met betrekking tot de snijmesses vindt u in de paragraaf "Onderhoud van de snijmesses".

Tips voor het onderhoud en het opbergen van de batterij vindt u in de paragraaf "Informatie over de batterij".

- Houd de machine altijd schoon en verwijder het grasafval, vooral aan de onderkant van het frame en in de luchtgaten.
- Wij raden u aan om na elke maaibeurt het opgehoopt gras van de onderkant met een botte schraper van het frame te verwijderen. U kunt hiervoor ook de spansleutel gebruiken die bij deze maaier wordt geleverd.
- Maak alle kunststofonderdelen schoon met een vochtige doek.
- **Opgelet!** Gebruik geen oplosmiddelen of schoonmaakvloeistoffen. Deze kunnen de kunststofonderdelen van de maaier beschadigen.

## Tips voor het oplossen van problemen

Wanneer uw maaier niet correct functioneert, kunt u de volgende tabel raadplegen om het probleem op te lossen.

Probleem	Oplossing
De maaier start niet als de schakelhendel wordt bediend.	a) Controleer of de veiligheidssleutel precies op zijn plaats zit. (b) Verwijder de veiligheidssleutel, draai de maaier op zijn kant en controleer of het snijmes ongehinderd kan draaien. (c) Is de batterij volledig opgeladen? Steek de stekker van de oplader in het stopcontact en wacht tot het groene lampje brandt.
De motor stopt tijdens het maaien.	(a) Verwijder de veiligheidssleutel. Draai de maaier op zijn kant en controleer of het snijmes ongehinderd kan draaien. (b) Verhoog de maaihogte van de wielen tot op de hoogste stand en start de maaier opnieuw. (c) Is de batterij volledig opgeladen? Steek de stekker van de oplader in het stopcontact en wacht tot het groene lampje brandt.



het onderhoud van uw tuin aanzienlijk vergemakkelijken. Als u meer informatie wenst over de onderstaande producten, contacteer dan het Black & Decker Service Informatiecentrum waarvan u het adres op de achterkant van deze gebruiksaanwijzing vindt of uw Black & Decker-dealer.

**Grasmaaiers  
Strimmers  
Verticuteerders  
Bladruimers**

**Heggescharen  
Kettingzagen  
Kompostmolens**

Probleem	Oplossing
----------	-----------

	(d) Verwijder dan de veiligheidsleutel en wacht 1 tot 2 minuten om de motor te laten afkoelen. Verwijder eventuele obstakels en controleer of het snijmes vrij kan draaien. Steek de veiligheidsleutel weer in de maaier en gebruik de schakelhendel om de machine opnieuw te starten.
--	--

De maaier gaat vooruit, maar de snijprestaties zijn onvoldoende.
--

	(a) Is de batterij volledig opgeladen? Steek de stekker van de oplader in het stopcontact en wacht tot het groene lampje brandt. (b) Misschien moet de batterij worden vervangen. Zie de paragraaf "Verwijderen van de batterij".
--	--

De maaier is heel moeilijk vooruit te duwen.
--

	(a) Verhoog de maaistand om de wrijving van de maaikap over het gazon te beperken. Controleer of alle wielen ongehinderd kunnen draaien.
--	--

De maaier maakt abnormaal veel lawaai en trilt.
---

	(a) Verwijder de veiligheidsleutel. Draai de maaier op zijn kant en controleer of het snijmes niet beschadigd is. Vervang een beschadigd snijmes door een Black & Decker vervangmes (A6157). (b) Als er geen zichtbare schade is aan het snijmes of aan de onderkant van de maaier, breng hem dan naar het dichtstbijzijnde service centre of naar uw dealer.
--	--



Opgelet: Verwijder steeds de veiligheidsleutel voor u de machine controleert.

## Wat moet u doen wanneer de maaier moet worden nagekeken of hersteld?

Informatie over hoe en waar u met de maaier terecht kunt voor herstelling of controle vindt u op de garantiekaart. Wij raden u aan deze kaart op een veilige plek te bewaren.

## Andere Black & Decker producten

Black & Decker heeft een volledig assortiment van elektrische apparaten voor gebruik buitenshuis die

### EC Verklaring van Conformiteit

Wij verklaren dat de machines van de serie:

**GRC730**

conform is aan: 89/392/EEC, 89/336/EEC, 73/23/EEC, EN55104, EN55014, EN60355

Gewogen geluidsdruk @ 4m 80dB (A)

Gewogen geluidskracht 91dB (A)

Gewogen vibratie hand/arm <2,5m/s<sup>2</sup>

Brian Cooke

Hoofd van de Technische Dienst

Spennymoor, County Durham DL16 6JG, United Kingdom

# Cortacéspedes GRC730

## Manual de instrucciones

Este manual contiene instrucciones de funcionamiento y mantenimiento para todos los cortacéspedes sin cable de la gama Black & Decker GRC730.

### Conozca su máquina

**i** Lea con atención este Manual y observe todas las normas de seguridad recomendadas antes, durante y después de usar la máquina. Mantenga su cortacéspedes siempre en buen estado.

Antes de usar la máquina, familiarícese con los mandos pero, sobre todo, asegúrese de que sabe cómo pararla en caso de emergencia.

Guarde este Manual y la demás documentación de su máquina, para futura referencia.

### Normas de seguridad

#### Formación

- No deje nunca que usen esta máquina niños o personas que no estén familiarizadas con ella ni personas que no hayan leído este Manual.



No deje que haya niños, otras personas o animales cerca de su máquina mientras la usa. Procure que estén siempre a más de 6 metros de la zona de corte.

- Recuerde que el operario o usuario es el responsable de los accidentes o riesgos que pueda causar la máquina a las personas o cosas.

#### Preparación

- Para protegerse los pies, lleve siempre botas o zapatos fuertes. El césped recién cortado está húmedo y resbaladizo.
- Use equipo protector. Cuando corte el césped, lleve gafas o anteojos de seguridad. Si se produce polvo, póngase una mascarilla.
- No use la máquina en ambientes donde haya gases explosivos.
- No corte el césped con sandalias o descalzo.
- Lleve pantalones largos para protegerse las piernas. Cualquier residuo que haya



en el césped puede salir despedido por las cuchillas.

- Procure que su máquina esté siempre en perfecto estado de funcionamiento.
- Antes de usar el cortacéspedes, quite la llave de seguridad y observe la cuchilla, la tuerca y el conjunto para comprobar si están desgastados o presentan alguna anomalía. Las cuchillas en mal estado o las tuercas desgastadas se deben sustituir. Compruebe además si la tuerca de la cuchilla está bien apretada.
- Compruebe siempre si la parcela que vaya a segar está libre de palos, piedras, alambres y otros objetos. El contacto con los mismos puede estropear la máquina y además pueden salir disparados por la cuchilla.

#### Funcionamiento

- Cuando incline hacia atrás el cortacéspedes para empezar a segar, no la incline más de lo estrictamente necesario. Antes de volver a poner el cortacéspedes sobre el césped, procure tener la empuñadura agarrada con las dos manos y mantenga los pies alejados de las cuchillas.
- Evite la puesta en marcha accidental. Cuando vaya a meter la llave de seguridad, compruebe antes si la máquina está desconectada.
- Suelte la palanca para desconectar el cortacéspedes y quite la llave de seguridad siempre que:
  - No vaya a usar la máquina.
  - Vaya a comprobar, limpiar o ajustar el cortacéspedes.
  - Vaya a quitar algún estorbo.
  - El cortacéspedes empiece a vibrar anormalmente (compruébelo inmediatamente).
  - El cortacéspedes choque con algún objeto extraño. Compruebe si se ha producido algún daño y haga las reparaciones necesarias.
- No ponga en marcha el cortacéspedes si está de lado ni intente parar la cuchilla. Deje siempre que se pare sola.
- No ponga las manos ni los pies cerca de las partes giratorias.

- Manténgase siempre alejado de los orificios de salida.
- Ponga en marcha su máquina con cuidado, siguiendo las instrucciones y manteniendo los pies alejados de las cuchillas.
- Siempre que sea posible, evite usar la máquina bajo la lluvia y si el césped está húmedo.
- Use la máquina sólo de día o con buena luz artificial.
- No tire del cortacéspedes hacia usted ni lo use andando hacia atrás.
- No cruce sendas de tierra o gravilla mientras gira la cuchilla.
- Mire bien donde pisa, sobre todo en las pendientes.
- Corte el césped a lo largo de una pendiente, no de arriba a abajo. Al cambiar de dirección en una pendiente, ponga la máxima atención.
- No corte el césped en pendientes pronunciadas y lleve siempre calzado antideslizante.
- Compruebe con frecuencia si está rota o desgastada la bolsa de los residuos y cámbiela si fuera necesario.
- Trabaje andando, no corriendo. No fuerce el cortacéspedes.
- No levante ni arrastre el cortacéspedes si el motor está funcionando. Antes de inclinarlo o transportarlo, asegúrese de que las cuchillas están paradas.
- Cuando transporte el cortacéspedes, quite siempre la llave de seguridad, ajuste la altura de corte a la posición intermedia y lleve el velo con el máximo cuidado.
- No use el cortacéspedes si observa anomalías en los protectores o carcasas.

### Mantenimiento y almacenaje

- Guarde su máquina cuando no la use en un lugar seco y fuera del alcance de los niños. Quite la llave de seguridad.
- Para limpiar la máquina no use disolventes ni líquidos limpiadores. Quite la hierba y la suciedad con una espátula poco afilada. Antes de limpiarlo, quite siempre la llave de seguridad.
- No cargue o guarde el cortacéspedes al aire libre.
- No use su máquina si alguna pieza está defectuosa. Quite todas las piezas defectuosas y ponga otras nuevas antes de usarla.

- Por su seguridad, cambie las piezas gastadas o defectuosas.
- Para que su cortacéspedes funcione con seguridad, repase si están bien apretados todos los tornillos, pernos y tuercas.
- Use sólo recambios y accesorios originales Black & Decker.

### Características (Fig. A)

**A** Al adquirir su cortacéspedes Black & Decker GRC730, ha adquirido usted un producto que combina la calidad con un moderno diseño y con las siguientes características, que le proporcionarán un trabajo fácil, seguro y eficaz:

- Sin cable - así no tendrá que usar alargaderas cuando corte el césped.
- Sin combustible - no tendrá que comprar, mezclar, guardar o echar gasolina o petróleo.
- Limpio - no produce emisiones, es decir, no contamina.
- Batería recargable de 12V - con suficiente potencia para cortar unos 300m<sup>2</sup>.
- Fácil de arrancar - arranca siempre a la primera.
- Conector (16) de diseño especial y llave de seguridad (24) para impedir la puesta en marcha accidental.
- Empuñadura de forma especial y diseño ergonómico, que facilita el uso y movimiento de la máquina (10).
- Freno de la cuchilla (automático) para mayor seguridad. Hace que se pare la cuchilla antes de tres segundos desde que se suelta la palanca.
- Pomos grandes que facilitan el montaje y desmontaje de la empuñadura.
- Una sola palanca para ajustar la altura de corte, rápida y fácil de usar (20).
- 5 posiciones de corte que ofrecen la máxima flexibilidad para cortar cualquier tipo de césped.
- Ruedas a nivel de la cuchilla, para poder cortar hasta el mismo borde.
- Bolsa de gran capacidad (30 litros) para la hierba, que permite cortar más tiempo seguido (19).
- Bolsa de hierba muy fácil de cambiar.
- Diseño especial de la parte inferior que proporciona mayor rendimiento y calidad del corte.

- Carcasa de plástico, resistente y duradera. No se oxida y absorbe los ruidos y vibraciones.
- Potente, silencioso y eficaz motor de imán permanente de 12V, que facilita el corte y carga de la bolsa de los residuos en condiciones normales.
- En condiciones normales el GRC730 podrá cortar un área de aproximadamente 300m<sup>2</sup>. Esta cifra puede aumentar o disminuir según condición del césped, largo del corte que se esté usando y velocidad de empuje de la máquina.

La política de Black & Decker es mejorar continuamente sus productos. Por tanto, se reserva el derecho de cambiar las especificaciones sin previo aviso.

## Desembalaje y montaje

La caja del cortacéspedes contiene:

- El conjunto del cortacéspedes y empuñadura.
- Una bolsa de plástico que contiene:
  - Llave de seguridad x 2 (24).
  - Manual de Instrucciones.
  - Llave para la tuerca de la cuchilla (25).
- Cargador (26).
- Cinturón portabaterías (27).
- Una unidad para recoger la hierba cortada (19) - ver instrucciones de montaje más abajo.

## Montaje de la empuñadura (Fig. A & B)

**A** Saque las piezas de la caja y observe los diferentes componentes del cortacésped.

Los componentes principales del cortacésped, que se señalan en la Fig. A son los siguientes:

- Cuerpo de la máquina (1):
  - Cuchillas (2)
  - Tapa del motor (3)
  - Tapa de baterías (4)
  - Orificio para la hierba (5)
  - Conjunto de ruedas (6)
  - Pasador pivote (7)
  - Rejilla (7)
- Mango (9):
  - Mango superior (10)
  - Mango inferior (11)
  - Botón del mango (12)
  - Palanca interruptor (15)

- Caja de interruptores (16)
- Cable eléctrico (17)
- Sujetadores (18)
- El mango inferior (11) viene ya montado en el cuerpo del cortacésped.
- Lo único que se necesita es abrir el mango levantándolo hasta que sus extremos entren de un golpecito en las posiciones correctas en los costados del cortacésped. Una vez que se haya terminado de hacer esto, se pueden ajustar los botones (12).
- El mango superior (10) se monta pasando los tornillos (13) por los orificios del mango inferior, haciendo que el mango superior coincida con los mismos, sujetándolos primeramente con una arandela (14) y luego con el botón (12).
- Ajuste cada uno presionándolos manualmente, sin utilizar llave.
- Una vez armados ambos mangos, instale los sujetadores (18) para cable, uno en el mango superior (10), y otro en el mango inferior (11). Introduzca el cable (17) en éstos y asegure de que el recipiente de la hierba se pueda sacar y poner en posición sin dificultad.

### B1

### B2

### B3

## Modo de armar la bolsa para la hierba (Fig. C)

**Nota:** Verifique que la batería esté desconectada.

Antes de usar este accesorio, lea las instrucciones de seguridad al principio de este manual.

### C1

- Antes de empezar a armar la bolsa para la hierba, verifique que las piezas coincidan con las que se señalan en la Fig. C1.
- Asegure la bolsa para la hierba (vea el recuadro) introduciendo el borde de la bolsa en la ranura y presionando con firmeza hasta que el sujetador se acople en el borde de la bolsa.

### C2

### C3

- Coloque el soporte firmemente en su lugar.
- Ponga los dos sujetadores laterales en el soporte, y seguidamente el sujetador inferior.

---

## Información sobre la batería

- La batería de su cortacésped sin cable es hermética, de ácido y de 12V. Es del tipo de electrolito empapado, por lo que se puede guardar en cualquier posición sin que se produzcan fugas.
- **La batería está cargada de fábrica. No obstante, puede que tenga que recargarla del todo antes de usarla por primera vez.**
- Para mayor seguridad, deberá cargar la batería cada vez que use el cortacésped.
- Cuando guarde la máquina durante el invierno, procure:
  - Cargarla del todo antes de guardarla.
  - Que la temperatura del lugar donde la guarde no baje de 25°C.
  - No tenerla inactiva más de 6 meses.
- Guarde siempre el cortacésped en un lugar fresco y seco.
- Guarde el cortacésped y la batería alejados del agua, fuentes de calor (como radiadores, estufas, etc.), llamas o productos químicos.

### Cinturón portabaterías

- Neem de batterij en de draagriem vit de doos.
- Doble hacia arriba los lados del cinturón y ponga la batería en su lugar.
- Junte los cinturones, cuidando de no omitir ningún orificio.
- Hay que tener la batería en el cinturón en todo momento.

---

## Instrucciones de carga



- Cargue siempre el cortacésped en el interior y en una zona bien ventilada, seca y protegida de la intemperie.
- Procure cargar el cortacésped a temperatura ambiente entre 5 y 40°C.

### Para cargarlo

- Se puede cargar la batería del cortacésped estando ésta instalada en la máquina, o, también, si no se dispone de un enchufe de la red en ese lugar, se puede cargar aparte.

### Modo de cargar la batería cuando está instalada en el cortacésped

- Saque la llave de seguridad (24) y guárdela en un lugar seguro fuera del alcance de los niños.
- Saque la tapa de la batería (4) presionando los símbolos de cierre que se encuentran en ambos lados de la tapa. Se puede sacar por completo la tapa.

- Desconecte el cable de la batería (de color rojo y negro) sacándolo del enchufe en el costado del alojamiento de la batería.
- A continuación se ha de conectar el enchufe rojo y negro del cargador con el enchufe rojo y negro de la batería.

**Nota:** El enchufe del cargador se puede introducir de una sola manera.

- Conecte el cargador con el tomacorrientes de la red y enciéndalo.
- Se encenderá el indicador rojo del cargador para señalar que se está cargando la batería.
- Una vez que se haya cargado la batería, lo cual normalmente tarda 24 a 30 horas, se apaga la luz roja y se enciende la luz verde.
- No existe ningún riesgo si se quiere dejar cargando la batería hasta que llegue el momento de usarla.
- Desconecte el cargador de la batería y conecte la batería al enchufe del cortacésped.
- Ya el cortacésped está listo para ser usado.

### Modo de cargar la batería separadamente del cortacésped

- Saque la llave de seguridad y la tapa de la batería tal como se señala más arriba y desconecte la batería.
- Saque la batería del cortacésped usando el asa.
- Carguela de la manera señalada más arriba.
- Después de cargar, vuelva a colocarla en el cortacésped y conéctela al enchufe del mismo.

---

## Importante

### Recargue el cortacésped inmediatamente después de usarlo.

Para sacar el máximo partido de su cortacésped y la batería, es importante que la recargue inmediatamente después de cada uso. Si guarda el cortacésped con la batería descargada, se estropea la batería.

### Recargue la batería completamente antes de guardar el cortacésped en invierno.

Cuando prepare el cortacésped para guardarlo todo el invierno, es importante que antes cargue del todo la batería. Si guarda el cortacésped con la batería descargada, se estropea la batería.

## Para tirar la batería

Cuando tenga que cambiar la batería, descárguela primero del todo haciendo funcionar el cortacésped hasta que se pare el motor. Quite la batería.



**¡Precaución!** La batería seguirá teniendo carga incluso después de que se pare el motor. Por tanto, es preciso evitar los cortocircuitos que se producen si se conectaran los dos terminales mediante objetos conductores como, entre otros, las herramientas o la hoja de aluminio.

Para tirar la batería, haga lo siguiente:



Este símbolo indica que la batería del cortacésped es de ácido-plomo, por lo que no se puede tirar a la basura, pues podría acabar en un incinerador o vertedero.



Las baterías de ácido-plomo son contaminantes y además explotan si se las arroja al fuego. **No las quemé.**

Lleve la batería desechada a un centro de servicio Black & Decker o a un centro de reciclado del Ayuntamiento. Si es preciso, llame por teléfono al Ayuntamiento para que le den instrucciones.

Si observa que su cortacésped no corta bien, consulte la sección "Localización de averías".



**¡Precaución!** Conecte bien los cables negro y rojo a la batería, pues si no, la cuchilla giraría en sentido contrario y, cuando fuera a recargarla, el circuito del cargador quedaría destruido.

## Cómo usar su cortacésped (Fig. D & E)

**¡Importante!** Siempre que use esta máquina, siga todas las normas de seguridad.



**¡Precaución!** No use el cortacésped con una sola mano. Llévelo con las dos manos en la empuñadura.



### Llave de seguridad

- Para evitar la puesta en marcha accidental o el uso no autorizado del cortacésped sin cable, lleva una llave de seguridad. Con la llave quitada, el cortacésped no funciona.



**Nota:** La llave de seguridad lleva un agujero en el centro para poderla colgar de un gancho. Cuélguela fuera del alcance de los niños.



**¡Precaución!** Siempre que deje el cortacésped solo, aunque sea por poco tiempo, quite la llave de seguridad.

- La llave de seguridad (junto con una de repuesto) se halla en el paquete de piezas.

### Puesta en marcha

- Meta la llave de seguridad y empújela hasta abajo.
- Para evitar cortes irregulares en el césped al poner en marcha la máquina, incline la empuñadura hacia atrás hasta levantar ligeramente la parte superior de cortacéspedes.

## D1

- Su cortacésped va equipado con una palanca especial de conexión, metida en un rebaje del conector para evitar que se ponga en marcha accidentalmente.
- Para poner en marcha el cortacésped, meta el dedo por la abertura y saque la palanca hasta que pueda tirar de ella con la otra mano.

## D2

- Para poner en marcha el cortacésped, tire de la palanca hacia la empuñadura y manténgala en esa posición.
- Para parar el cortacésped, suelte la palanca. Un muelle la hace volver a su posición inicial, en el rebaje del conector.

Cuando termine de usar el cortacésped, le recomendamos que lo limpie bien antes de guardarlo. Antes de limpiarlo, es importante quitar la llave de seguridad. Lea la sección de "Cuidados y mantenimiento".

**Nota:** Para conseguir los mejores resultados, corte el césped periódicamente y cuando esté bien seco.

Si al cortar el césped observa que va quedando hierba cortada detrás de la máquina, probablemente está llena la bolsa y deberá cambiarla.

### Montaje de la bolsa de hierba en el cortacésped

## E

- Sujete la parte superior de la bolsa (19) por el asa.
- Levante la solapa (5), meta la bolsa por el tubo de la empuñadura inferior y sujétela a la parte trasera de la máquina, haciendo que coincidan las flechas marcadas en el cortacésped y en la bolsa.
- Por último, suelte despacio la solapa (5) que tapa la parte superior de la bolsa (19).

### Para quitar la bolsa de hierba

Cuando la bolsa esté llena, quítela levantando la solapa (5) y después levantando la bolsa hacia arriba y pasándola por la parte inferior de la empuñadura.

### Ajuste de la altura de corte (Fig. F)



**¡Precaución!** Antes de hacer cualquier ajuste, espere que se pare la cuchilla y quite la llave de seguridad. Tenga cuidado con las cuchillas, que están muy afiladas.

F

- Podrá poner la altura de corte en siete posiciones, tirando hacia fuera de la palanca y colocándola después en la posición requerida.

**Nota:** La palanca de altura de corte queda sujeta por un muelle en la posición seleccionada. Para ponerla en otra posición, hay que tirar hacia fuera y llevarla hasta el número deseado, donde después encaja por el muelle.

- Las posiciones 1, 2 y 3 sirven para hierba gruesa o excesivamente larga. Las posiciones 4 y 5 deben usarse para mantener céspedes cultivados. Se debe usar la posición 5 solamente si se requiere dejar hierba muy corta.

### Mantenimiento de las cuchillas

La cuchilla de acero produce un acabado fino con césped largo o duro. Si, por algún choque o desgaste, observa que el césped no queda bien cortado, deberá cambiar la cuchilla por otra nueva o afilarla.

Le recomendamos que afile la cuchilla o la cambie por una nueva al empezar cada temporada. Podrá conseguir cuchillas de recambio (ref: A6157) en los distribuidores y centros de servicio Black & Decker.



**¡Precaución!** Cuando monte una cuchilla nueva, use sólo cuchillas originales Black & Decker del modelo especificado para su máquina. No intente nunca montar otro tipo de cuchilla.

### Para montar una nueva cuchilla (Fig. G)



Antes de cambiar la cuchilla, observe todas las normas de seguridad.



**¡Precaución!** Antes de cambiar la cuchilla, quite la llave de seguridad.



G1

- Ponga el cortacéspedes de lado hasta que pueda acceder a la parte inferior.

- Póngase guantes fuertes para protegerse las manos.
- Colocando un trapo sobre la cuchilla o llevando guantes fuertes, sujétela y afloje la tuerca del centro con la llave que se suministra al efecto, girándola en sentido contrario a las agujas del reloj.

G2

- Quite la tuerca, la arandela cuadrada, la placa de soporte y la cuchilla.
- Al poner una cuchilla nueva, hágalo de forma que el filo quede más cerca del césped y móntela siguiendo el procedimiento inverso al descrito para quitarla.

G3

- Ponga la placa de soporte en el saliente del montante que sale por el centro de la cuchilla, procurando que queden alineados los bordes interiores del soporte con los exteriores de la cuchilla.

G4

- Coloque la arandela cuadrada en el eje del motor haciendo que coincida su parte plana con el eje y engancho los bordes exteriores en la placa de plástico. Ponga la tuerca en el eje y apriétela en el sentido de las agujas del reloj.

- Antes de usar la máquina, compruebe si las piezas que ha montado están correctamente instaladas. Si no lo están, se puede estropear su máquina o reducirse su eficacia de corte.

**Nota:** Esta máquina lleva una placa de soporte (24) entre la cuchilla y la tuerca. Procure que esté bien montada. Si alguna de estas piezas estuviera defectuosa, se debe cambiar inmediatamente.

### Protección contra sobrecarga

Su máquina está dotada de protección contra sobrecarga.

Si corre mucho al cortar césped largo o si el césped está muy duro, se sobrecarga el motor. Esto produce una importante reducción de la velocidad e incluso puede hacer que el motor se pare. Esto no es un fallo, sino un mecanismo de protección del motor.

Cuando esto suceda, quite la llave de seguridad y espere unos 1 ó 2 minutos hasta que se enfríe el motor. Compruebe si hay algún obstáculo que impida que la cuchilla gire libremente. Para volver a poner en marcha la máquina, meta la llave de seguridad y tire de la palanca.

Si el motor deja de funcionar antes de otros 10 minutos, deberá aumentar la altura de corte (vea "Ajuste de la altura de corte").

Si el motor está muy sobrecargado, tardará más en enfriarse, por lo que deberá esperar más tiempo.

Para conseguir los mejores resultados:

- Corte el césped periódicamente.
- No lo corte cuando esté húmedo.
- Si tiene más de 10cm de largo, es preferible cortarlo primero a mayor altura y hacer luego otra pasada a menor altura.

## Cuidados y mantenimiento

En esta sección se trata de los cuidados y mantenimiento del cortacésped en general. En cuanto a las cuchillas, vea la sección "Mantenimiento de las cuchillas". En cuanto a las baterías, vea la sección "Información sobre la batería".

- Mantenga el cortacésped siempre limpio de residuos de hierba, sobre todo la parte inferior y las ranuras de ventilación.
- Al final de cada sesión, le recomendamos que quite la hierba de la parte inferior de la máquina con una espátula poco afilada. También podrá usar para ello la llave inglesa que se suministra.
- Limpie las partes de plástico con un paño húmedo.
- **¡Atención!** No use disolventes ni líquidos limpiadores, que pueden estropear las partes de plástico de su máquina.

## Localización de averías

Si el cortacésped no funciona bien, trate de localizar la avería con esta tabla.

Problema	Solución
El cortacésped no se pone en marcha al tirar de la palanca.	(a) Compruebe si está bien puesta la llave de seguridad. (b) Quite la llave de seguridad, ponga la máquina de lado y compruebe si la cuchilla gira bien. (c) ¿Está bien cargada la batería? Enchufe el cargador y espere hasta que se encienda la luz verde.
El cortacésped está funcionando y se para.	(a) Quite la llave de seguridad, ponga la máquina de lado y compruebe si la cuchilla gira bien. (b) Ponga una mayor altura de corte y póngalo en marcha. (c) ¿Está bien cargada la batería? Enchufe el cargador y espere hasta que se encienda la luz verde. (d) Quite la llave de seguridad y espere unos 1 ó 2 minutos hasta que se enfríe el motor. Compruebe si hay algún obstáculo que impida que la cuchilla gire libremente. Para volver a poner en marcha la máquina, meta la llave de seguridad y tire de la palanca.

Problema	Solución
El cortacésped funciona pero no corta.	(a) ¿Está bien cargada la batería? Enchufe el cargador y espere hasta que se encienda la luz verde. (b) Quizá tenga que cambiar la batería. Consulte la sección "Para tirar la batería".
Cuesta mucho trabajo empujarlo.	(a) Ponga una mayor altura de corte. Compruebe si giran bien las cuatro ruedas.
Ruidos y vibraciones anormales.	(a) Quite la llave de seguridad. Ponga la máquina de lado y compruebe la cuchilla. Si tiene alguna anomalía, cámbiela por otra cuchilla Black & Decker. (b) Si no observa ninguna anomalía, lleve el cortacésped a un centro de servicio Black & Decker.



**¡Precaución!** Antes de hacer cualquier inspección, quite siempre la llave de seguridad.

## Qué hacer si necesita revisar o reparar su cortacésped

En la Tarjeta de Garantía encontrará información sobre dónde enviar su cortacésped cuando tenga que revisarlo o repararlo. Le recomendamos que guarde la tarjeta en lugar seguro.

## Otros productos Black & Decker

Black & Decker le ofrece toda una gama de herramientas eléctricas de jardín. Si quiere más información sobre los siguientes productos, llame al Centro de Información Black & Decker, cuyo teléfono encontrará en la contraportada, o visite a un distribuidor Black & Decker:

**Cortacéspedes, Recortasetos, Recortabordes  
Sierras de cadena, Rastrillos eléctricos,  
Trituradoras de residuos**

### Certificado de conformidad de la UE

Declaramos que la siguiente unidad: **GRC730** cumplen con la directiva UE/89/392, EN55104, UE/89/336, UE/73/23, EN55014, EN60335  
Su presión sonora ponderada es de @ 4m 80dB (A)  
Su potencia sonora ponderada es de 91 dB (A)  
Las vibraciones ponderadas al brazo/la mano son de <2.5m/s<sup>2</sup>

Brian Cooke

Director de Ingeniería, Spennymoor, Co Durham DL16 6JG, RU




# Corta-relvas sem fio GRC730

## Manual de instruções

Este manual contém instruções de uso e manutenção para o corta-relvas sem fio GRC730.

### Conheça o seu aparelho

 Leia atentamente este manual. Observe todas as instruções de segurança recomendadas antes, durante e após a utilização do seu aparelho, e mantenha-o sempre em boas condições de funcionamento.

Familiarize-se com todos os mecanismos de acção do seu aparelho antes de começar a utilizá-lo, mas sobretudo, certifique-se que sabe como parar o seu aparelho numa situação de emergência.

Mantenha este manual juntamente com o aparelho para futuras consultas.

### Instruções de segurança

- Nunca deixe mexer no aparelho as crianças ou pessoas que não estão familiarizadas com o mesmo, nem ninguém que não tenha lido o manual.



Quando o aparelho estiver em funcionamento, não permita que crianças, animais ou outras pessoas estejam junto do mesmo - deverá mantê-los afastados da área de trabalho a uma distância de pelo menos 6 metros.

- Lembre-se de que o utilizador é responsável pelos acidentes que possam ocorrer à sua propriedade ou a outras pessoas.

#### Preparação

- Para proteger os seus pés, deverá calçar sapatos ou botas resistentes - a relva acabada de cortar fica escorregadia e húmida.
- Não corte a relva onde a atmosfera contém gases explosivos.
- Não corte a relva com sapatos abertos (ex: sandálias).
- Use calças para proteger as suas pernas. Alguns objectos que estejam no relvado poderão ser sugados, e posteriormente expelidos pelas lâminas.



- Tenha sempre a certeza de que o seu aparelho está em perfeitas condições para trabalhar em segurança.
- Antes de usar o corta-relva, retire a chave de segurança e observe se a lâmina e as partes rotativas se encontram avariadas. Lâminas danificadas e parafusos gastos devem ser substituídos. Verifique também se a lâmina está bem apertada (Inspeccione frequentemente todas as porcas e todos os parafusos).
- Verifique sempre se o relvado ou o caminho que vai ser cortado está livre de paus, pedras, arames ou outros detritos, pois se os mesmos entrarem em contacto com a lâmina, podem-na danificar e/ou serem expelidos por esta.

#### Operação

- Quando inclinar para trás o punho para fazer accionar o motor, não o faça mais vezes do que o necessário. Certifique-se de que as suas mãos estão bem posicionadas e de que os seus pés estão bem afastados das lâminas antes de colocar o corta-relva no chão.
- Evite ligar a máquina acidentalmente. Certifique-se de que o interruptor está na posição off quando fôr colocar a chave de segurança.
- Largue o manípulo para que o corta-relvas se desligue e retire a chave de segurança quando:
  - Deixar o seu aparelho abandonado.
  - Antes de inspeccionar, limpar ou trabalhar com o seu corta-relvas.
  - Antes de ir deslocar qualquer obstáculo/barreira.
  - O corta-relvas começar a vibrar de um modo anormal/irregular (inspeccione imediatamente).
  - Bater num objecto. Veja se existem quaisquer danos e faça as devidas reparações se necessário.
- Nunca utilize o corta-relvas na sua direcção, nem tente parar a lâmina - Deixe-a sempre parar por si própria.
- Nunca coloque as mãos ou pés perto ou sob as partes rotativas.

- Ligue a máquina com cuidado de acordo com as instruções e com os pés bem afastados das lâminas.
- Evite utilizar a máquina à chuva, e se possível cortar relva molhada.
- Utilize o aparelho somente à luz do dia ou com uma boa luz artificial.
- Não ande para trás quando trabalhar com a máquina, e nunca corte a relva puxando a unidade na sua direcção.
- Não passe por caminhos de gravilha ou por estradas, enquanto a lâmina estiver em rotação.
- Certifique-se sempre de que se encontra numa posição segura, sobretudo em locais inclinados.
- Quando cortar relva em locais inclinados, nunca o faça em sentido vertical, mas sim no sentido horizontal, e tenha muito cuidado quando mudar de direcção.
- Não trabalhe em locais excessivamente inclinados. Use calçado anti-derrapante.
- Inspeccione frequentemente o seu saco de aparas, pois pode apresentar desgaste ou danos. Substitua-o se necessário.
- Ande, nunca corra. Nunca force o corta-relvas.
- Nunca levante ou transporte o corta-relvas enquanto o motor estiver a trabalhar. Assegure-se de que as lâminas pararam completamente a sua rotação quando a quiser transportar.
- Quando transportar o seu aparelho retire a chave de segurança, ajuste a altura de corte para uma posição média e tenha muito cuidado quando a levantar.
- Nunca utilize o seu aparelho com protecções ou resguardos defeituosos.

## Conservação e armazenagem

- Quando não utilizar o seu aparelho, guarde-o num local seco e fora do alcance das crianças, e retire a chave de segurança.
- Não utilize diluentes nem líquidos de limpeza - utilize uma espátula para remover ervas e sujidade. Retire sempre a chave de segurança antes de proceder à limpeza.
- Nunca carregue ou armazene o seu corta-relvas no exterior.
- Não utilize o seu corta-relvas se existir alguma peça defeituosa; Deite fora todas as peças defeituosas e substitua-as por peças novas antes de utilizar o seu aparelho.

- Para sua segurança, substitua as peças com desgaste ou danificadas.
- Mantenha sempre as porcas e os parafusos bem apertados para que o seu corta-relvas trabalhe de uma forma segura.
- Use apenas peças e acessórios recomendados pela Black & Decker.

## Características (Fig. A)

A

A compra de um corta-relvas GRC730 da Black & Decker dá-lhe um produto com uma excelente relação qualidade/design moderno e as seguintes características para lhe proporcionar uma utilização de corte segura, eficiente e fácil.

- Sem fio - não necessita de cabos enquanto corta.
- Sem gases de combustão - não necessita de comprar, misturar, armazenar ou transportar petróleo ou óleo.
- Limpo - o corta-relvas não polui o ambiente. Não provoca gases.
- Possui uma bateria recarregável de 12 volts que lhe dá uma autonomia de corte de aproximadamente 300m<sup>2</sup>.
- É fácil de ligar - liga sempre à primeira vez.
- Caixa de interruptor (16) e chave de segurança (24) especialmente elaboradas para prevenir arranques acidentais do seu corta-relvas.
- Pega desenhada ergonomicamente para lhe oferecer uma utilização confortável e fácil de empurrar (10).
- Travões das lâminas (autostop) para uma maior segurança. As lâminas são travadas 3 segundos após a alavanca ter sido largada.
- Porcas de orelhas de grandes dimensões para fácil montagem e desmontagem.
- Apenas uma alavanca para o ajuste da altura de corte permitindo-lhe uma operação rápida e fácil.
- 5 posições de corte que lhe fornece uma grande flexibilidade para lidar com todas as condições de relva.

- O alinhamento das rodas com a superfície de corte permite-o cortar até às bordas do seu relvado.
- Saco de aparas com grande capacidade (30 litros) para longos períodos de corte (19).
- O saco de aparas remove-se facilmente.
- Zona inferior do corta-relvas com um design especial que lhe dará uma boa performance de corte com uma melhor qualidade.
- Plástico robusto e durável que não cria ferrugem e contribui para diminuir o ruído e a vibração.
- Motor eficiente e poderoso de 12 volts que lhe oferece um corte e uma recolha eficiente em condições moderadas, e com um nível de ruído baixo.
- Em condições normais de corte, a máquina GRC730 possuirá um tempo de execução de aproximadamente 300m<sup>2</sup>. Este valor poderá aumentar ou diminuir em função das condições da relva, altura de corte seleccionada e velocidade de deslocamento.

É política da Black & Decker fazer melhorias nos seus produtos, e como tal, tem o direito de mudar as especificações dos produtos sem aviso prévio.

---

## Desembalagem e montagem

O seu conjunto corta-relvas contém:

- Instruções de montagem do corta-relvas e da pega.
- Um saco contendo:
  - Uma chave de segurança x 2 (24).
  - Manual de montagem.
  - Chave de porcas para lâminas (25).
- Alça da bateria (27).
- Uma estrutura de recolha de aparas de relva (19) - consultar em seguida as instruções de montagem.

---

## Montagem da pega (Fig. A & B)

**A** Retire o conteúdo da embalagem e familiarize-se com cada uma das peças da cortadora.

As peças principais da cortadora, indicadas na Fig. A, são as seguintes:

- Corpo da máquina (1):
    - Plataforma de corte (2)
    - Cobertura do motor (3)
    - Cobertura da bateria (4)
  - Aba inferior (5)
  - Estrutura da roda (6)
  - Pino de articulação (7)
  - Grelha (8)
  - Pega (9):
    - Pega superior (10)
    - Pega inferior (11)
    - Maçaneta da pega (12)
    - Alavanca do interruptor (15)
    - Caixa do interruptor (16)
    - Cabo eléctrico (17)
    - Dispositivos de retenção (18)
- B1** • A pega inferior (11) encontra-se já montada no corpo do corto relva.
- B2** • Apenas terá de levantar a pega, até que a sua extremidade encaixe nas saliências existentes nas zonas laterais da máquina. Assim que completar esta operação, poderá apertar as maçanetas (12).
- B3** • A pega superior (10) é montada da seguinte forma: coloque as cavilhas (13) nos orifícios existentes na pega inferior, após ter efectuado o alinhamento da pega superior, e fixe as duas peças com uma arruela (14), colocando em seguida a maçaneta (12).
- Aperte cada uma das maçanetas manualmente. Não utilize qualquer ferramenta.

---

## Montagem do saco para aparas de relva (Fig. C)

**Nota:** Certifique-se de que a bateria se encontra desligada.

Leia as instruções de segurança, que se encontram no início deste manual, antes de utilizar este acessório.

- C1** • Antes de montar o saco para aparas de relva, verifique se as peças que possui são semelhantes às que podem ser visualizadas na Fig. C1.
- Fixe o saco para aparas de relva (entrada) introduzindo o anel do saco no canal respectivo e pressionando-o até que este encaixe no dispositivo de fixação.

**C2** • Pressione a estrutura de suporte, até que esta se encontre encaixada no seu lugar.

**C3** • Coloque os dois dispositivos de fixação laterais na estrutura de suporte, e em seguida, monte o dispositivo de fixação inferior.

## PORTUGUÊS

### Bateria - informação

- A bateria do seu corta-relvas sem fio tem um acumulador de 12 volts, composto por ácido e chumbo. A bateria utiliza um electrólito absorvido e, como consequência, pode ser guardada numa posição qualquer sem que haja o perigo de derrame de líquido.
- **A bateria foi carregada na fábrica, contudo, poderá ser necessário carregá-la antes de utilizá-la, assegurando-se assim de que atingiu a sua capacidade máxima.**
- Para assegurar um bom funcionamento, a bateria deve ser recarregada antes de uma utilização.
- Para guardar a sua máquina durante o inverno certifique-se de que:
  - O corta-relvas está completamente carregado antes de o guardar.
  - O local onde o irá guardar, tem uma temperatura inferior a 25°C.
  - O tempo de armazenagem não é superior a 6 meses.
- Guarde sempre o seu corta-relvas num local seco e fresco.
- Mantenha o corta-relvas e a bateria afastados da água, fontes de calor (ex: radiadores, aquecedores, etc.), chamas ou químicos.

### Alça da bateria

- Localize a bateria e a respectiva alça de transporte.
- Dobre as extremidades da alça e coloque a bateria no respectivo lugar.
- Encaixe as extremidades da alça, utilizando todos os orifícios disponíveis.
- Não deverá utilizar a máquina sem que a alça se encontre colocada na bateria.

### Instruções de carga



- Carregue sempre o seu corta-relvas em casa num local bem ventilado, seco e protegido das diferentes condições climáticas.
- Carregue o seu corta-relvas num local de temperatura superior a 5°C e inferior a 40°C.

### Para carregar

- A bateria pode ser carregada na própria máquina, ou poderá ser retirada e carregada separadamente, se não puder dispor de uma tomada.

### Para carregar a bateria NA máquina

- Retire a chave de segurança (24) e guarde-a num local seguro, longe de crianças.
- Retire a cobertura da bateria (4), pressionando os símbolos de segurança, que se encontram em cada um dos lados da cobertura. Poderá retirar completamente a cobertura.
- Desligue os cabos da bateria (vermelho e negro), retirando-os dos pólos que se encontram nas zonas laterais da bateria.
- Em seguida, poderá ligar os pólos vermelho e negro do carregador aos respectivos pólos da bateria.

**Nota:** O pólo do carregador só poderá ser colocado numa posição.

- Ligue a ficha do carregador a uma tomada e ligue-o.
- O indicador vermelho do carregador acenderá, indicando que a bateria está a ser carregada.
- Quando a bateria se encontrar carregada, o que demorará de 24 a 30 horas, a luz vermelha será apagada e acenderá a luz verde.
- É perfeitamente seguro deixar a bateria a carregar, até que esta se encontre pronta a ser utilizada.
- Desligue o carregador da bateria e ligue a bateria aos respectivos pólos da cortadora.
- A máquina está pronta a ser utilizada.

### Para carregar a bateria FORA da máquina

- Retire a chave de segurança e a cobertura da bateria da forma descrita anteriormente e desligue a bateria.
- Retire a bateria da máquina, utilizando a alça de transporte.
- Efectue o carregamento da bateria da forma descrita anteriormente.
- Após o carregamento, volte a colocar a bateria na cortadora e ligue-a ao respectivo pólo.

## Importante!

Carregue totalmente o seu corta-relvas logo após a sua utilização.

Para obter uma melhor performance do seu aparelho e uma maior duração da sua bateria, é importante que recarregue logo após a utilização do corta-relvas. Poderão surgir falhas de bateria se o corta-relvas fôr guardado sem ser totalmente recarregado.

**Carregue totalmente o seu corta-relvas para o guardar durante o inverno.**

Quando preparar o seu aparelho para o guardar durante o inverno, é importante que este seja totalmente carregado. Poderão surgir falhas de bateria se o corta-relvas fôr guardado sem ser totalmente carregado.

## Colocação da bateria

Quando a bateria do corta-relvas necessita de substituição, descarregue a sua energia deixando o seu aparelho a funcionar até o motor parar. Retire a bateria do seu corta-relvas.



**Aviso:** Mesmo depois do motor parar, a bateria poderá ainda ficar com alguma energia. É então necessário, que se proteja contra curtos circuitos acidentais dos terminais da bateria. Não utilize ferramentas sem isolamento ou materiais condutores.

Não deite fora as baterias de qualquer modo. É necessário ser responsável.



Este símbolo indica que a bateria do seu corta-relvas é constituída por um acumulador de ácido e chumbo. Não as deite fora juntamente com o seu lixo doméstico.



O ácido e o chumbo que compõem a bateria, podem ser prejudiciais ao ambiente e podem explodir quando expostas ao fogo. **As baterias não podem ser incineradas.**

A bateria deve ser entregue a um centro de assistência técnica Black & Decker, ao agente ou à estação de reciclagem mais próxima. Se necessário, entre em contacto com a câmara municipal da sua zona para obter informações sobre os materiais recicláveis e os locais onde podem ser depositados.

Se a performance do corte começar a deteriorar-se, por favor recorra ao manual “Encontrando a falha”.



**Aviso!** Não troque os fios (pólos) ao instalar a nova bateria, o que provocará uma rotação inversa das lâminas. Quando tentar carregar a bateria, o circuito será destruído logo que ligar a ficha do carregador.

## Como utilizar o seu aparelho (Fig. D & E)

**Importante!** Preste atenção aos avisos sempre que estiver a utilizar o seu aparelho.



**Aviso!** Nunca tente usar a sua máquina com apenas uma mão. Deve conduzir o seu aparelho com ambas as mãos.



**Chave de segurança**

• O seu corta-relvas foi concebido com uma chave de segurança, para evitar arranques de motor acidentais, ou uso não autorizado do seu aparelho. Quando a chave de segurança for retirada do corta-relvas, este ficará completamente desactivado.



**Nota:** A chave de segurança tem um buraco no centro para permitir a armazenagem no gancho, fora do alcance das crianças.

**Aviso!** Retire a chave de segurança sempre que largar o seu corta-relvas, mesmo que seja apenas por um breve período de tempo.

• A chave de segurança encontra-se no conjunto das peças (juntamente com uma chave sobressalente).

**Começar**

- Introduza a chave de segurança na posição correcta. Encaixe-a bem.
  - Incline a unidade para trás - para reduzir o risco de estragar a relva - quando ligar a máquina.
- D1**
- O seu corta-relvas está equipado com um interruptor on/off especial. Este interruptor está equipado com um dispositivo de segurança que o impede de ligar o seu aparelho acidentalmente.
  - Para operar com o interruptor, introduza o seu dedo na abertura e empurre a alavanca para fora para que possa empurrá-la com a sua outra mão.

**D2**

- Puxe a alavanca contra a pega do corta-relvas e mantenha-a nesta posição para manter o motor a trabalhar.
- Para parar o motor, basta largar a alavanca. A acção de uma mola existente no interior do interruptor, permite que tenha apenas que largar a alavanca para que esta volte ao local de origem.

Recomenda-se que, quando terminar o trabalho, limpe bem a máquina antes de a guardar. Reporte-se ao capítulo “Cuidados e manutenção”.

**Nota:** Para conseguir um bom trabalho, corte o relvado ou a área com erva frequentemente, e nunca corte a relva molhada.

Se, quando estiver a cortar, reparar que a relva fica espalhada por baixo do seu aparelho, o seu saco de aparas está provavelmente cheio e necessita de ser despejado.

## E

### Colocação do saco de aparas

- Segure na parte de cima do saco (19) pela sua pega.
- Levante a tampa de saída de aparas (5), faça passar o saco entre a estrutura da pega inferior e fixe-o à parte de trás do corta-relvas encaixando-o no local marcado por setas (parte traseira do aparelho).
- Finalmente, quando tiver realizado esta operação, solte levemente a tampa de saída da aparas. Esta ficará posicionada sobre a parte superior do saco de aparas (19).

### Remoção do saco de aparas

Para remover o saco de aparas, faça a operação inversa.

## Ajuste da altura de corte (Fig. F)



**Aviso!** Antes de proceder a qualquer ajustamento, retire a chave de segurança e deixe que a lâmina pare o seu movimento de rotação.

## F

- A altura de corte pode variar em 5 posições, movendo o ajustador para cima ou para baixo que se situa na parte de trás do aparelho.

**Nota:** Quando encaixado numa das posições de corte, o manípulo encontra-se sob tensão. Para mudar de uma posição para outra, deverá puxar o manípulo para si (afastando-o do aparelho) e regulá-lo na posição desejada. Quando largar o manípulo, automaticamente ficará preso na posição referida.

- As posições 1, 2 e 3 devem ser utilizadas em relva de curso ou em relva excessivamente longa. As posições 4 e 5 devem ser utilizadas para manutenção de relvados cultivados. A posição 5 só deve ser utilizada se desejar um corte muito curto.

## Manutenção das lâminas

A lâmina de aço é indicada para dar um bom acabamento ao corte de relva comprida ou rija. Se, contudo, devido a avaria ou desgaste a qualidade do corte diminuir, então pode tornar-se necessário substituir a lâmina do corta-relvas, ou pelo menos, afiar a lâmina existente.

Recomenda-se que a lâmina de aço seja novamente afiada, ou que seja colocada uma nova lâmina no começo de cada sessão de trabalho.

Poderá adquirir novas lâminas **A6157** no Representante local de Black & Decker ou nos centros de assistência técnica.



**Aviso!** Quando colocar uma lâmina nova, apenas utilize peças Black & Decker - não coloque nenhum outro tipo de lâmina.

## Substituição da lâmina (Fig. G)



Tome em atenção todos os avisos referidos antes de fazer a substituição da lâmina do seu aparelho.



**Aviso!** Retire sempre a chave de segurança antes de mudar a lâmina.

## G1

- Volte a máquina de lado para poder ver a parte de baixo da base do corta-relvas.
- Utilize luvas para proteger a suas mãos.
- Utilizando um pedaço de pano ou luvas fortes para proteger as mãos, segure a lâmina e, utilizando a chave de parafusos fornecida com a máquina, desaperte e retire a porca do eixo do motor. Para desapertar a porca, rode-a no sentido contrário ao dos ponteiros do relógio.

## G2

- Retire a porca, a anilha, a placa de travamento plástica de dupla acção (lâmina e anilha) e a lâmina.
- Para colocar a lâmina certifique-se de que as bordas cortantes da lâmina estão próximas do chão e que a lâmina é colocada na peça de apoio da mesma.

## G3

- Coloque a placa de travamento plástica sobre a lâmina, de modo a que as dobras fiquem encaixadas nas suas faces laterais.

## G4

- Faça coincidir a anilha quadrada dentro da placa de travamento plástica e aperte a porca firmemente.
- Assegure-se de que as peças estão colocadas correctamente antes de usar o corta-relvas. Uma incorrecta montagem pode resultar numa avaria do seu aparelho e reduzir a performance do corte.

**Nota:** Esta unidade é composta por uma anilha (24), entre a porca da lâmina e a própria lâmina, que deve ser sempre montada de maneira correcta. Uma lâmina danificada, deve ser sempre substituída antes usar o seu corta-relvas.

## Protecção contra sobrecargas

O seu aparelho está equipado com um sistema de protecção contra sobrecargas. Se trabalhar muito depressa em relva muito alta ou em más condições, pode sobrecarregar o seu motor. A sobrecarga será perceptível através de uma redução significativa da velocidade do motor, e eventualmente, o sistema de protecção actuará. Este acontecimento não é uma falha, mas sim uma medida para proteger o seu aparelho. Quando isto ocorrer, retire a chave de segurança e espere 1 a 2 minutos para permitir um arrefecimento do motor. Retire algo que possa estar a encravar a lâmina, certificando-se de que esta ficará livre para rodar. Para colocar novamente o motor em marcha, recolque a chave de segurança e accione o interruptor. Se o sistema de protecção actuar dentro de dez minutos, deverá aumentar a altura de corte (veja "Ajuste da altura de corte"). Uma grande sobrecarga pode dar origem a um grande atraso quando ligar novamente o seu motor. Neste caso, deve deixar que o motor arrefeça.

Para obter melhores resultados:

- Corte a relva regularmente.
- Não corte relva molhada.
- Quando a relva tiver uma altura superior a 10cm, é aconselhável que corte o seu relvado com o seu aparelho numa posição de corte elevada, e acabar numa posição baixa.

## Cuidados e manutenção

Nesta secção encontrará informações sobre a manutenção e os cuidados a ter com o corpo principal da máquina. O capítulo "Manutenção das lâminas" fornece-lhe informações sobre as lâminas. As informações relativas à manutenção e armazenamento de baterias é fornecida no capítulo "Bateria - informação".

- Mantenha sempre a máquina limpa e livre de ervas, especialmente por baixo da base do corta-relvas e ventiladores.
- Recomenda-se que no fim de cada sessão de corte, retire a erva acumulada por baixo da cobertura da lâmina com um raspador rombo. A chave de porcas para lâminas fornecida com este aparelho pode ser utilizada para este propósito.
- Limpe todas as partes de plástico com um pano húmido.

## Resolução de problemas

Se o corta-relvas não funcionar devidamente, estude o quadro que se segue para localizar o problema.

Problema	Solução
O motor trabalha mas a lâmina não se mexe.	(a) Certifique-se de que a chave de segurança está bem colocada. (b) Retire a chave de segurança, volte o corta-relvas e verifique se a lâmina não está obstruída. (c) A bateria foi totalmente carregada? Coloque-a no carregador e espere que a luz verde se acenda.
O corta-relvas parou quando estava a cortar.	(a) Retire a chave de segurança. Vire o corta-relvas de lado e verifique se a lâmina não está obstruída. (b) Aumente a altura de corte e ligue o corta-relvas. (c) A bateria foi totalmente carregada? Coloque-a no carregador e espere que a luz verde a se acenda. (d) retire a chave de segurança e espere 1 a 2 minutos para permitir um arrefecimento do motor. Retire algo que possa estar a encravar a lâmina, certificando-se de que esta ficará livre para rodar. Para colocar novamente o motor em marcha, recolque a chave de segurança e accione o interruptor.
O corta-relvas trabalha, mas a performance de corte não é satisfatória.	(a) Aumente a altura de corte para diminuir a resistência na relva. Verifique cada roda para a rotação.
O corta-relvas tem um ruído e uma vibração anormal.	(a) Retire a chave de segurança. Vire o aparelho de lado e verifique se a lâmina está danificada. Se estiver danificada, substitua-a com componentes Black & Decker. (b) Se a lâmina ou a parte inferior do aparelho não estiver danificada dirija-se a um centro de assistência técnica autorizado.



**Aviso!** Retire sempre a chave de segurança antes de proceder a qualquer inspecção.

## O que fazer se o seu corta-relvas precisar de ser reparado

No cartão de garantia, encontrará informações sobre como e onde enviar a sua máquina para ser reparada ou ser revista. Recomenda-se que guarde este cartão e este manual em lugar seguro.

## Outros produtos Black & Decker

A Black & Decker tem uma gama completa de produtos de linha jardim que lhe facilitam a vida. Se quiser obter mais informações sobre os produtos em baixo referidos, por favor, contacte o seu revendedor.

Corta-relvas

Corta-sebes

Aparadores

Electrosserras

Escarificadoras

Trituradoras

# PORTUGUÊS

### EC Declaração de Conformidade

Declaramos que os produtos: **GRC730**  
estão de acordo com 89/392/EEC, EN55104,  
89/336/EEC, 73/23/EEC, EN55014, EN60335

Pressão sonora @ 4m 80dB (A)

Potência sonora 91dB (A)

Vibração <2.5m/s<sup>2</sup>



Brian Cooke

Engenheiro Responsável  
Spennymoor, County Durham DL16 6JG  
United Kingdom



# Επαναφορτιζόμενη μηχανή GRC730


## Εγχειρίδιο οδηγιών

Το εγχειρίδιο αυτό σας προφέρει οδηγίες λειτουργίας και συντήρησης για όλες τις χλοοκοπτικές μηχανές χωρίς καλώδιο στη σειρά Black & Decker GRC730.



- Χρησιμοποιήστε προστατευτικό εξοπλισμό. Να φοράτε προστατευτικά γυαλιά όταν θερίζετε. Χρησιμοποιείτε μάσκα προσώπου εάν έχει σκόνες.

### Γνωρίστε τη μηχανή σας

 Διαβάστε προσεκτικά όλο αυτό το εγχειρίδιο, τηρώντας όλες τις συνιστώμενες οδηγίες ασφαλείας πριν, κατά τη διάρκεια και μετά από τη χρήση της μηχανής σας, και διατηρείτε τη μηχανή σας σε καλή κατάσταση λειτουργίας.

Εξοικειωθείτε με τους ελέγχους πάνω στη μηχανή σας προτού δοκιμάσετε να την χειρισθείτε, αλλά πάνω απ' όλα, βεβαιωθείτε ότι γνωρίζετε πώς να σταματήσετε τη μηχανή σας σε περίπτωση έκτακτης ανάγκης.

Φυλάξτε αυτό το εγχειρίδιο και όλα τα σχετικά έντυπα που σας παρέχεται μαζί με τη μηχανή σας για μελλοντική αναφορά.

- Μην λειτουργείτε σε ατμόσφαιρα με αέρια που υπάρχει κίνδυνος να εκραγούν.

- Μην κόβετε γρασίδι ξυπόλυτοι ή φορώντας ανοικτά σανδάλια.

- Να φοράτε μακρύ παντελόνι για την προστασία των ποδιών σας - τυχόν ακαθαρσία που μένει στο γρασίδι ή στο μονοπάτι κοπής μπορεί να συλλεχθεί και να εκσφενδονισθεί από τη λεπίδα.

- Πάντοτε να βεβαιώνεστε ότι η μηχανή σας βρίσκεται σε ασφαλή κατάσταση λειτουργίας.

- Προτού χρησιμοποιήσετε τη μηχανή σας, αφαιρέστε το κλειδί ασφαλείας και εξετάστε όπως η λεπίδα, το παξιμάδι της λεπίδας και η συσκευή του κοπτήρα δεν είναι χαλασμένα και δεν έχουν υποστεί βλάβη. Οι χαλασμένες λεπίδες και τα χαλασμένα παξιμάδια λεπίδας πρέπει να αντικαθίστανται. Επίσης ελέγξτε όπως το παξιμάδι της λεπίδας είναι καλά προσδεμένο.

- Πάντοτε να ελέγχετε όπως το γρασίδι σας ή το μονοπάτι κοπής είναι καθαρά από ξύλα, πέτρες, σύρματα και άλλα απομεινάρια. Η επαφή με τέτοια χαλάσματα μπορεί να επιφέρει βλάβη στη μηχανή σας και μπορούν να εκσφενδονιστούν από τη λεπίδα.

### Οδηγίες ασφαλείας

#### Εκπαίδευση

- Ποτέ να μην επιτρέπετε σε παιδιά ή πρόσωπα που δεν είναι εξοικειωμένα με αυτό τον τύπο μηχανής να την χρησιμοποιούν, ή σε οποιοδήποτε πρόσωπο που δεν έχει διαβάσει αυτό το φυλλάδιο.



Μην επιτρέπετε σε παιδιά, ζώα ή άλλα πρόσωπα να είναι κοντά στη μηχανή σας όταν λειτουργεί - πάντοτε να τους κρατάτε τουλάχιστον 6μ. μακριά από τον χώρο κοπής.

- Να θυμάστε ότι ο χειριστής/χρήστης είναι υπεύθυνος για τυχόν ατυχήματα ή κινδύνους που προκαλούνται εις βάρος άλλων προσώπων ή τις περιουσίες τους.

#### Προετοιμασία

- Για να προστατεύσετε τα πόδια σας, πάντα να φοράτε χοντρά παπούτσια ή μπότες - το φρεσκοκομμένο γρασίδι είναι μουσκεμένο και ολισθηρό.

#### Λειτουργία

- Όταν κουνάτε τη λαβή προς τα κάτω για να ξεκινήσετε, μην την κουνάτε περισσότερο από ό,τι χρειάζεται. Πάντοτε να βεβαιώνεστε ότι και τα δυο σας χέρια βρίσκονται στη θέση λειτουργίας και τα πόδια σας είναι μακριά από τις λεπίδες πριν επιστρέψετε τη χλοοκοπτική μηχανή στο έδαφος.

- Να αποφεύγετε την τυχαία εκκίνηση. Βεβαιωθείτε ότι ο διακόπτης είναι στη θέση OFF όταν βάζετε το κλειδί ασφαλείας.

- Ελευθερώστε τον μοχλό του διακόπτη για να σβήσει η χλοοκοπτική μηχανή και αφαιρέστε το κλειδί ασφαλείας σε περιπτώσεις όπως:
  - Όταν αφήνετε το μηχανήμα σας απαρακολούθητο.
  - Πριν να ελέγξετε, να καθαρίσετε ή εργάζεστε με την μηχανή.
  - Πριν καθαρίσετε εμφράγματα.
  - Εάν η χλοοκοπτική μηχανή αρχίσει να τραντάζεται ακανόνιστα (ελέγξατε την αμέσως).
  - Όταν η μηχανή κτυπήσει σε κάποιο αντικείμενο. Επιθεωρήστε τη μηχανή για τυχόν βλάβη και κάνετε τις αναγκαίες επισκευές.
- Ποτέ να μην δοκιμάζετε να αναποδογυρίζετε τη μηχανή σας στην πλευρά της ενώ ακόμη λειτουργεί, ή να δοκιμάζετε να σταματήσετε τη λεπίδα - πάντοτε να την αφήνετε να σταματάει μόνη της.
- Μην βάζετε τα χέρια ή τα πόδια σας κοντά ή κάτω από τα περιστρεφόμενα μέρη.
- Να είστε πάντα μακριά από ανοίγματα εκκένωσης.
- Ξεκινάτε τη μηχανή σας προσεχτικά σύμφωνα με τις οδηγίες και έχοντας τα πόδια σας μακριά από τις λεπίδες.
- Μη χρησιμοποιείτε τη μηχανή σας κατω από τη βροχή και αποφεύγετε να χρησιμοποιείτε τη μηχανή σε βρεγμένο γρασίδι, αν είναι δυνατό.
- Να κόβετε γρασίδι στο φως της ημέρας ή κάτω από πλούσιο τεχνητό φως.
- Μην τραβάτε τη μηχανή σας προς το μέρος σας και μην περπατάτε προς τα πίσω όταν κόβετε.
- Μην περνάτε πάνω από μονοπάτια με χαλίκια ή δρόμους ενώ περιστρέφεται η λεπίδα.
- Πάντοτε να βεβαιώνετε για το πού στέκεστε, ειδικά σε όχθες.
- Πάντοτε να κόβετε κατά μήκος του προσώπου των πλαγιών, ποτέ πάνω και κάτω. Να είστε ιδιαίτερα προσεχτικοί όταν αλλάζετε κατεύθυνση σε πλαγιές.
- Μην κόβετε εξαιρετικά απόκρημνες πλαγιές και πάντοτε να φοράτε μη ολισθηρά παπούτσια.
- Να ελέγχετε ταχτικά τη χορτοσκούλα για τυχόν φθορά ή βλάβη, και αντικαταστήστε την αν παραστεί ανάγκη.
- Να περπατάτε, και ποτέ να μην τρέχετε. Μην ζορίζετε τη χλοοκοπτική σας μηχανή.
- Ποτέ μην σηκώνετε ή μεταφέρετε τη μηχανή σας ενώ ο κινητήρας λειτουργεί. Βεβαιωθείτε όπως οι λεπίδες έχουν σταματήσει να περιστρέφονται όταν την σηκώσετε για τη μεταφορά της μηχανής σε ή από τον χώρο κουρέματος .
- Όταν μετακινείτε τη μηχανή σας, πάντοτε να αφαιρείτε το κλειδί ασφαλείας, ρυθμίστε το ύψος κοπής τοποθετώντας το στη μεσαία θέση και να προσέχετε ιδιαίτερα όταν την σηκώνετε.
- Ποτέ μην λειτουργείτε τη μηχανή με ελαττωματικούς προφυλακτήρες ή καλύμματα.

#### Συντήρηση και αποθήκευση

- Να αποθηκεύετε τη μηχανή σας σε ξηρό μέρος όταν δεν την χρησιμοποιείτε, αφαιρέστε το κλειδί ασφαλείας και τοποθετήστε την μακριά από τα παιδιά.
- Μη χρησιμοποιείτε διαλύματα ή υγρά καθαρίσματος για να καθαρίζετε τη μηχανή σας - χρησιμοποιείτε ένα μη αιχμηρό ξύστη για την αφαίρεση του γρασιδιού ή των ακαθαρσιών. Πάντοτε να αφαιρείτε το κλειδί ασφαλείας προτού την καθαρίσετε.
- Μην φορτίζετε ή αποθηκεύετε τη συσκευή σε εξωτερικούς χώρους.
- Μην λειτουργείτε τη μηχανή σας αν οποιαδήποτε ανταλλακτικά είναι ελαττωματικά· να πετάτε όλα τα ελαττωματικά ανταλλακτικά και να εφαρμόζετε καινούργια πριν από τη χρήση.
- Αντικαταστήστε τα χαλασμένα ανταλλακτικά για λόγους ασφαλείας.
- Να διατηρείτε όλα τα παξιμάδια, κοχλίες και βίδες καλά στερεωμένα για να βεβαιώνετε ότι η μηχανή σας βρίσκεται σε ασφαλή λειτουργική κατάσταση.

- Να χρησιμοποιείτε μόνο ανταλλακτικά και εξαρτήματα αντικατάστασης τα οποία είναι συστημένα από την Black & Decker.

## Χαρακτηριστικά (Εικόνα Α)

**A**

Η αγορά της χλοοκοπτικής μηχανής GRC730 της Black & Decker σας προσφέρει ένα προϊόν που συνδυάζει ποιότητα και μοντέρνο σχέδιο και τα ακόλουθα χαρακτηριστικά για την παροχή ασφαλούς, αποδοτικού και εύκολου κοψίματος:

- Χωρίς Καλώδιο - Δεν χρειάζονται προεκτάσεις καλωδίου όταν θερίζετε.
- Χωρίς Καύσιμα - Δεν χρειάζεται να αγοράζετε, να αναμειγνύετε, να αποθηκεύετε ή να μεταφέρετε βενζίνη και λάδια.
- Καθάρισμα - Δεν υπάρχουν εκρήσεις, η δε μηχανή είναι φιλική προς το περιβάλλον.
- Επαναφορτιζόμενη μπαταρία των 12V - Παρέχει ηλεκτρική ενέργεια που κόβει περίπου 300m τετραγωνικά.
- Εύκολη στην εκκίνηση - Ξεκινά με την πρώτη κάθε φορά.
- Ειδικά σχεδιασμένη θήκη διακόπτη (16) και κλειδί ασφαλείας (24) για την παρεμπόδιση τυχαίου ξεκινήματος της μηχανής.
- Εργονομικά σχεδιασμένη προηγμένη λαβή για άνετη χρήση και εύκολη ώθηση (10).
- Φρένο λειπίδας (Autostop) για πρόσθετη ασφάλεια. Σταματάει τη λειπίδα από το να περιστρέφεται σε 3 δευτερόλεπτα, μόλις ελευθερωθεί ο μοχλός της θήκης του διακόπτη.
- Μεγάλες πεταλούδες & περικόχλια χερουλιού για εύκολη συναρμολόγηση και αποθήκευση.
- Μονός μοχλός ύψους κοπής για ταχεία και εύκολη λειτουργία (20).
- 5 θέσεις ύψους κοπής που προσφέρουν την ευελιξία να κόβουν διάφορες πλείστες καταστάσεις γρασιδιού.
- Οι τροχοί είναι ευθυγραμμισμένοι που επιτρέπουν κόψιμο μέχρι το άκρο του γρασιδιού.
- Μεγάλης χωρητικότητας χορτοσακούλα (30 λίτρα) για μεγαλύτερες περιόδους κοψίματος (19).

- Εύκολη αφαίρεση της χορτοσακούλας.
- Απαλό σχέδιο βάσης κελύφους που σας δίνει καλύτερη απόδοση κοπής και καλύτερη ποιότητα κοπής.
- Σκληρή, ειδική πλαστική βάση που δεν διαβρώνεται και συμβάλλει στην ύφεση του θορύβου και της χαμηλής δόνησης.
- Οπίσθιος κύλινδρος (μόνο για τη Μεγάλη Βρετανία) που δημιουργεί την παραδοσιακή, γραμμική απόδοση στο χαμηλότερο ύψος κοπής.
- Δυναμικός και αποδοτικός μόνιμος μαγνητικός κινητήρας 12V, που προσφέρει αποδοτικό κόψιμο και συσκευασία στη σακούλα σε όλες τις λογικές καταστάσεις και χαμηλό επίπεδο θορύβου.
- Ο χρόνος λειτουργίας του GRC730, κάτω από κανονικές συνθήκες, θα αρκεί για περίπου 300 m<sup>2</sup>. Αυτός ο χρόνος θα διαφέρει ανάλογα με την κατάσταση του γκαζόν, το ύψος κοπής και την ταχύτητα ώθησης.

Η πολιτική της Black & Decker είναι πολιτική συνεχούς βελτίωσης στα προϊόντα της και σαν τέτοια διατηρεί το δικαίωμα να τροποποιεί τις προδιαγραφές του προϊόντος χωρίς προειδοποίηση.

## Αποσυσκευασία και συναρμολόγηση

Το χαρτοκιβώτιο της μηχανής σας περιέχει:

- Τη συσκευή της μηχανής και της λαβής.
- Μια σακούλα που περιέχει το υλικό:
  - Ένα κλειδί ασφαλείας (26).
  - Οδηγίες λειτουργίας.
  - Κλειδί για το παξιμάδι της λειπίδας (24).
- Λουρί μπαταρίας (27).
- Μία συναρμολόγηση σάκου συλλογής χόρτων (19) - βλέπετε παρακάτω για οδηγίες συναρμολόγησης.

## Συναρμολόγηση χειρολαβής (Εικόνες Α & Β)

**A**

Αφαιρέστε το περιεχόμενο του χαρτοκιβωτίου κι εξοικειωθείτε με τα εξαρτήματα του χλοοκοπτικού μηχανήματος.

Τα κύρια εξαρτήματα του χλοοκοπτικού μηχανήματος απεικονίζονται στην Εικ. Α ως ακολούθως:

- Σώμα μηχανήματος (1):
  - Εξάρτημα κοπήρα (2)
  - Κάλυμμα κινητήρα (3)
  - Κάλυμμα μπαταρίας (4)
  - Κάλυμμα γκαζόν (5)
  - Συναρμολόγηση τροχών (6)
  - Πείρος περιστροφής (7)
  - Σχάρα (8)
- Χειρολαβή (9):
  - Πάνω χειρολαβή (10)
  - Κάτω χειρολαβή (11)
  - Χερούλι χειρολαβής (12)
  - Μοχλός διακόπτη (15)
  - Κιβώτιο διακόπτη (16)
  - Ηλεκτρικό καλώδιο (17)
  - Κλίπ εφαρμογής (18)
- Η κάτω χειρολαβή (11) είναι ήδη εφαρμοσμένη στο σώμα του χλοοκοπτικού μηχανήματος.

**B1** • Το μόνο που απαιτείται είναι να ξεδιπλώσετε τη χειρολαβή, σηκώνοντάς την προς τα πάνω έως ότου να τοποθετηθούν τα άκρα της στη θέση τους στις πλευρές του χλοοκοπτικού μηχανήματος. Μετά από αυτό, μπορείτε να σφίξετε τα χερούλια (12).

**B2** • Για τη συναρμολόγηση της πάνω χειρολαβής (10), περάστε τα μπουλόνια (13) μέσα από τις τρύπες της κάτω χειρολαβής, ευθυγραμμίστε πάνω σ' αυτά την πάνω χειρολαβή και σταθεροποιήστε την με μία ροδέλα (14) και το χερούλι (12).

- Σφίξτε το κάθε χερούλι μόνο με το χέρι. Μή χρησιμοποιείτε κλειδί.

**B3** • Όταν έχουν συναρμολογηθεί και οι δύο χειρολαβές, τοποθετήστε ένα κλιπ καλωδίου (18) στην πάνω χειρολαβή κι ένα στην κάτω χειρολαβή. Τοποθετήστε το καλώδιο μέσα σ' αυτά, φροντίζοντας να μπορείτε να αφαιρείτε και να τοποθετείτε ελεύθερα το κιβώτιο συλλογής χόρτων.

## Συναρμολόγηση σάκου συλλογής χόρτων (Εικόνα C)

**Σημείωμα:** Εξασφαλίστε ότι η μπαταρία είναι αποσυνδεδεμένη.

Διαβάστε τις οδηγίες ασφάλειας στην αρχή του εγχειριδίου πριν χρησιμοποιήσετε αυτό το αξεσουάρ.

**C1** • Πριν αρχίσετε τη συναρμολόγηση του σάκου συλλογής χόρτων, ελέγξτε ότι τα εξαρτήματα είναι όμοια με αυτά που απεικονίζονται στην Εικ. C1.

- Στερεώστε το σάκο (μικρό σχεδιάγραμμα) τοποθετώντας το χείλος του σάκου στο αυλάκι και πατώντας σταθερά προς τα κάτω έως ότου κλειδωθεί το κλιπ πάνω στο χείλος του σάκου.

**C2** • Πατήστε το σκελετό σταθερά στη θέση του.

**C3** • Συναρμολογήστε τα δύο πλάγια κλιπ στο σκελετό κι ακολούθως συναρμολογήστε το κάτω κλιπ.

## Πληροφορίες για την μπαταρία

- Η μπαταρία στη χλοοκοπτική σας μηχανή χωρίς καλώδιο είναι των 12 βολτ με σύστημα σφραγισμένου οξικού μόλυβδου. Η μπαταρία διαθέτει ένα αναρροφημένο ηλεκτρολύτη και επομένως μπορεί να αποθηκευθεί σε οποιαδήποτε θέση χωρίς τον φόβο διαρροής.
- **Η μπαταρία έχει φορτισθεί στο εργοστάσιο, ωστόσο, θα είναι αναγκαίο να επαναφορτίσετε την μπαταρία για να εξασφαλίσετε πλήρη φόρτιση πριν από την αρχική χρήση.**
- Για άριστη απόδοση η μπαταρία θα πρέπει να επαναφορτίζεται μετά από κάθε χρήση.
- Για χειμωνιάτικη αποθήκευση να βεβαιώνετε όπως:
  - Η μηχανή είναι πλήρως φορτισμένη πριν από την αποθήκευση.
  - Η θερμοκρασία της θέσης αποθήκευσης είναι κάτω των 25°C.
  - Η διάρκεια αποθήκευσης είναι λιγότερη από 6 μήνες.
- Πάντοτε να αποθηκεύετε τη μηχανή σας σε ξηρή και κρύα θέση.
- Να φυλάγετε τη μηχανή και την μπαταρία μακριά από νερό, πηγές θέρμανσης (όπως καλοριφέρ, θερμάστρες, σόμπες κτλ), φλόγες ή χημικές ουσίες.

## Λουρί της μπαταρίας

- Εντοπίστε το λουρί της μπαταρίας.
- Διπλώστε τα πλευρά του λουριού και τοποθετήστε την μπαταρία στη θέση της.

- Ενώστε τα λουριά φροντίζοντας να ενωθούν σε κάθε σημείο όπου υπάρχει τρύπα.
- Το λουρί πρέπει να βρίσκεται πάντα στην μπαταρία.

## Οδηγίες φόρτισης



- Πάντοτε να φορτίζετε τη μηχανή σας μέσα σε εσωτερικούς χώρους σε καλά εξαερισμένο χώρο, όπου είναι ξηρασία και υπάρχει προστασία από τις καιρικές συνθήκες.
- Να φορτίζετε τη μηχανή σε χώρο όπου η θερμοκρασία είναι πάνω από 5°C (41°F) και κάτω από 40°C (104°F).

### Πα να φορτίσετε

- Η μπαταρία του χλοοκοπτικού μηχανήματός σας μπορεί να φορτισθεί όταν βρίσκεται στο μηχανήμα ή μπορεί να αφαιρεθεί και να φορτισθεί μακριά από το χλοοκοπτικό μηχανήμα αν δεν υπάρχει κοντινή πρίζα.

### Πα τη φόρτιση της της μπαταρίας εντός του μηχανήματος

- Αφαιρέστε το κλειδί ασφάλειας (24) και τοποθετήστε το σε ασφαλές μέρος μακριά από παιδιά.
- Αφαιρέστε το κάλυμμα της μπαταρίας (4) πατώντας στα σύμβολα κλειδώματος στην κάθε πλευρά του καλύμματος. Το κάλυμμα μπορεί να αφαιρεθεί τελείως.
- Αποσυνδέστε το καλώδιο της μπαταρίας (κόκκινο και μαύρο) τραβώντας το από την υποδοχή στην πλευρά της εσοχής της μπαταρίας.
- Ακολούθως, το κόκκινο και μαύρο φίς του φορτιστή συνδέεται στην υποδοχή της μπαταρίας.

**Σημείωμα:** Το φίς του φορτιστή συνδέεται μόνο σε μία θέση.

- Συνδέστε το φορτιστή στο ρεύμα και θέστε τον σε λειτουργία.
- Το κόκκινο φωτάκι του φορτιστή θα ανάψει. Αυτό υποδεικνύει ότι η μπαταρία φορτίζεται.
- Όταν έχει φορτισθεί η μπαταρία, συνήθως σε 24 με 30 ώρες, θα σβήσει το κόκκινο φωτάκι και θα ανάψει το πράσινο.
- Είναι ασφαλές να αφήσετε την μπαταρία υπό φόρτιση έως ότου να είναι έτοιμη για χρήση.

- Αποσυνδέστε το φορτιστή από την μπαταρία και συνδέστε την μπαταρία στην υποδοχή του χλοοκοπτικού μηχανήματος.
- Το χλοοκοπτικό μηχανήμα σας είναι τώρα έτοιμο για χρήση.

### Πα τη φόρτιση της μπαταρίας εκτός του μηχανήματος

- Αφαιρέστε το κλειδί ασφάλειας και το κάλυμμα της μπαταρίας όπως περιγράφεται παραπάνω κι αποσυνδέστε την μπαταρία.
- Αφαιρέστε την μπαταρία από το μηχανήμα χρησιμοποιώντας το χερούλι.
- Φορτίστε την όπως περιγράφεται παραπάνω.
- Μετά τη φόρτιση, επανατοποθετήστε την στο χλοοκοπτικό μηχανήμα και συνδέστε την στην υποδοχή του χλοοκοπτικού μηχανήματος.

## Προσοχή

### Επαναφορτίστε τη χλοοκοπτική μηχανή με πλήρη φόρτιση αμέσως μετά από τη χρήση.

Για να λάβετε μέγιστη απόδοση από τη μηχανή σας με μέγιστη διάρκεια ζωής της μπαταρίας, είναι σημαντικό όπως επαναφορτίζετε την μπαταρία αμέσως μετά από κάθε χρήση. Θα παρουσιαστεί βλάβη στην μπαταρία εάν η μηχανή αποθηκεύεται χωρίς πλήρη φόρτιση.

### Επαναφορτίστε τη μηχανή με πλήρη φόρτιση για την αποθήκευση του χειμώνα.

Όταν προετοιμάζετε τη χλοοκοπτική μηχανή για αποθήκευση τον χειμώνα, είναι σημαντικό όπως κάνετε πλήρη φόρτιση της μηχανής. Θα σημειωθεί βλάβη στην μπαταρία εάν η μηχανή σας αποθηκεύεται χωρίς να έχει πλήρη φόρτιση.

## Διάθεση της μπαταρίας

Όταν η μπαταρία της μηχανής χρειάζεται αντικατάσταση, αποσυνδέστε την ενέργεια από την μπαταρία κινώντας την μηχανή μέχρις ότου σταματήσει ο κινητήρας. Αφαιρέστε την μπαταρία.



**Προειδοποίηση:** Η μπαταρία μπορεί ακόμη να διαθέτει κάποια εναπομείνουσα φόρτιση κι όταν ακόμη σταματήσει ο κινητήρας. Γι' αυτό, είναι αναγκαίο να προστατεύσετε από τυχαία βραχυκύκλωμα των τερματικών της μπαταρίας με μη μονωμένα εργαλεία ή υλικά αγώγιμης φύσεως, όπως, αλλά όχι

μόνο χαλύβδινο μαλλί ή έλασμα αλουμινίου.

Οι μπαταρίες θα πρέπει να πετάγονται με υπεύθυνο τρόπο.



Το σύμβολο αυτό δείχνει ότι η μπαταρία μολύβδου που παρέχεται μέσα στη συσκευή πρέπει να αδειασθεί κανονικά και να μην πετιέται σε καθημερινά οικιακά σκουπίδια που πιθανόν να πεταχθούν σε αποτεφρωτήρα ή χώρο γεμίσματος γης.



Οι μπαταρίες διά μολύβδου μπορεί να είναι ειπβλαβείς στο περιβάλλον και μπορεί να εκραγούν όταν εκθέτονται τη φωτιά. **Να μην τις καίετε.**

Να παίρνετε την μπαταρία στο κέντρο εξυπηρέτησης της Black & Decker, στον τοπικό σας αντιπρόσωπο ή στον τοπικό σταθμό ανακύκλωσης. Εάν χρειασθεί, επικοινωνήστε με την τοπική σας αρχή για πληροφορίες διάθεσης.

Εάν η διαδικασία της κοπής αρχίζει να επιδεινώνεται, παρακαλώ συμβουλευθείτε τον οδηγό “Ανεύρεση Λαθών”.



**Προειδοποίηση!** Μην συνδέσετε λάθος τα σύρματα μπαταρίας όταν τοποθετείτε νέα μπαταρία γιατί μπορεί να κάνει την λεπίδα να λειτουργήσει στην αντίστροφη κατεύθυνση. Όταν προσπαθείτε να επαναφορτίσετε την μπαταρία, το κύκλωμα του φορτιστή θα καταστραφεί μόλις συνδέσετε την πρίζα του φορτιστή.

## Πώς να χρησιμοποιείτε τη μηχανή σας (Εικόνες D & E)

**Προσοχή!** Πάντοτε να παρακολουθείτε όλες τις σχετικές προειδοποιήσεις όταν χρησιμοποιείτε το μηχανήμα σας.



**Προειδοποίηση!** Μην δοκιμάζετε να λειτουργείτε τη μηχανή σας με το ένα χέρι - πρέπει να οδηγείτε τη μηχανή σας και με τα δυο σας χέρια.



### Κλειδί ασφαλείας

- Για να αποφύγετε τυχαίο ξεκίνημα ή μη εξουσιοδοτημένη χρήση ένα κλειδί ασφαλείας που αφαιρείται έχει ενσωματωθεί μέσα στο σχέδιο της μηχανής σας. Η μηχανή θα σταματήσει πλήρως όταν αυτό το κλειδί ασφαλείας έχει αφαιρεθεί από αυτήν.



**Σημείωση:** Το κλειδί ασφαλείας έχει μια οπή στο κέντρο για να επιτρέπει την αποθήκευση σε άγκιστρο, μακριά από τα παιδιά.

**Προειδοποίηση:** Πάντοτε να μετακινείτε το κλειδί ασφαλείας από την μηχανή όταν την αφήνετε απαρακολούθητη, ακόμη και για σύντομο χρονικό διάστημα.

- Το κλειδί ασφαλείας βρίσκεται στο πακέτο εξαρτημάτων (καθώς επίσης και ένα εφεδρικό κλειδί).

### Ξεκίνημα

- Βάλτε το κλειδί ασφαλείας στη θέση του και ωθήστε πλήρως προς τα μέσα.
- Σπρώξτε τη λαβή προς τα κάτω για να εγείρει ελαφριά το εμπρόσθιο μέρος της μηχανής για να μειωθεί ο κίνδυνος βλάβης στην μηχανή όταν ξεκινάτε.

## D1

- Η μηχανή σας είναι εξοπλισμένη με ειδικό μοχλό διακόπτη ON/OFF. Ο μοχλός του διακόπτη βρίσκεται μέσα στη θήκη διακόπτη για να εμποδίζεται η τυχαία αναποδογύριση της μηχανής.
- Για να λειτουργήσετε τον διακόπτη, βάλτε το δάκτυλο στο άνοιγμα και ωθήστε τον μοχλό προς τα έξω έτσι ώστε να μπορείτε να τον τραβάτε με το άλλο σας χέρι.

## D2

- Τραβήξτε τον μοχλό προς τα πίσω, επάνω στη λαβή της μηχανής, και κρατάτε την σε αυτή τη θέση για να διατηρείτε την κίνηση της μηχανής.
- Για να σβήσετε τη μηχανή, απλώς ελευθερώστε τον μοχλό. Ο μοχλός “στιγμαίως αναπήδησης” φορτωμένου ελατηρίου θα πάει πίσω στην αρχική του θέση μέσα στη θήκη του διακόπτη.

Όταν έχετε τελειώσει τη χρήση της μηχανής σας, σας συστήνουμε να καθαρίζετε όλα τα κολλημένα χόρτα απ' αυτήν, προτού την αποθηκεύσετε. Είναι σημαντικό όπως αφαιρείτε το κλειδί ασφαλείας προτού κάνετε καθαρίσμα. Παρακαλώ συμβουλευθείτε το κεφάλαιο “Φροντίδα και Συντήρηση”.

**Σημείωση:** Για να έχετε τα καλύτερα δυνατά αποτελέσματα κοπής του γρασιδιού σας ή του χώρου γρασιδιού, να τα κόβετε ταχτικά, αλλά όχι όταν το γρασίδι είναι βρεγμένο.

Αν, όταν κόπτετε το γρασίδι, φανεί χαλαρό γρασίδι να σκορπίζεται από κάτω από τη μηχανή, πιθανόν η χορτοσκούλα είναι γεμάτη και πρέπει να αδειάσει.

### Εφαρμογή της σακούλας χόρτου στη συσκευή

**E**

- Κρατάτε την κορυφή της σακούλας χόρτου (19) από τη λαβή της.
- Σηκώστε το κάλυμμα του χόρτου (35), κατόπιν οδηγήστε τη σακούλα χόρτου μέσω της κάτω σωλήνας της λαβής και εφαρμόστε την στο πίσω μέρος της συσκευής ευθυγραμμίζοντας τα τόξα που σημειώνονται στην εξέδρα του κοπτήρα και στην κορυφή της σακούλας του χόρτου.
- Τελικά, όταν αυτό συμπληρωθεί, ελευθερώστε μαλακά το κάλυμμα του χόρτου (5) και θα επιστρέψει για να καθίσει στον χώρο θέσης της κορυφής της σακούλας του χόρτου (19).

### Αφαίρεση της σακούλας χόρτου

Η πλήρης χορτοσκούλα μπορεί να αφαιρείται, σηκώνοντας το πτερύγιο χλόης (3) και μετά, είτε να σηκώσετε προς τα πάνω τη χορτοσκούλα και μέσω της κάτω σακούλας, ή αποδεσμεύοντας τη χορτοσκούλα από τη θέση στερεώματος και μετά αφήνοντάς την να φτάσει το γρασίδι, ενώ το πτερύγιο χλόης χαμηλώνεται απαλά, αφήνοντας και τα δύο σας χέρια ελεύθερα να σηκώσουν την γεμάτη χορτοσκούλα.

### Ρύθμιση ύψους κοπής (Εικόνα F)



**Προειδοποίηση!** Αφαιρέστε το κλειδί ασφαλείας προτού κάνετε τυχόν ρυθμίσεις και αφήστε τη λεπίδα να σταματήσει να περιστρέφεται. Οι λεπίδες κοπής είναι κοφτερές.

**F**

- Μετακινώντας το ύψος θέσεων του ρυθμιστή κοπής στο πίσω μέρος της μηχανής σας προς τα έξω από το αμάξωμα του θεριστή, και μετά πάνω και κάτω, όπως χρειασθεί, το ύψος της κοπής μπορεί να ποικίλλει για να δώσει 5 θέσεις.

**Σημείωση:** Το ύψος των 5 θέσεων του ρυθμιστή κοπής είναι σε ένταση όταν βρίσκεται στη θέση δέμευσης. Πρέπει να κινηθεί προς τα πάνω για να κινηθεί από μια ρύθμιση ύψους σε άλλη και θα ξαναπηδήσει αυτόματα στη θέση του όταν αποδεσμευτεί.

- Οι θέσεις 1, 2 και 3 είναι κατάλληλες για άγριο ή ψηλό γρασίδι. Οι θέσεις 4 και 5 πρέπει να χρησιμοποιούνται για τη συντήρηση καλλιεργημένου γρασίδι. Η θέση 5 πρέπει να χρησιμοποιείται μόνο όταν επιθυμείτε μία πολύ λεπτή κοπή.

### Συντήρηση των λεπίδων

Η χαλύβδινη λεπίδα είναι σχεδιασμένη για να δίνει καλό φινιρίσμα σε μεγάλο ή σκληρό γρασίδι.

Αν, ωστόσο, λόγω βλάβης ή φθοράς, η απόδοση κοπής χειροτερεύει, τότε η θεριστική μπορεί να χρειάζεται καινούργια λεπίδα, ή τουλάχιστον η υφιστάμενη λεπίδα να χρειάζεται ακόνισμα.

Συστήνουμε όπως, η χαλύβδινη λεπίδα ακονισθεί ή να τοποθετηθεί καινούργια λεπίδα κατά την αρχή κάθε καινούργιας περιόδου.

Λεπίδες αντικατάστασης **A6157** διατίθενται από τους αντιπροσώπους και τους Σταθμούς Υπηρεσίας της Black & Decker.



**Προειδοποίηση!** Όταν εφαρμόζετε καινούργια λεπίδα, να χρησιμοποιείτε μόνο τα ανταλλακτικά αντικατάστασης της Black & Decker που καθορίζονται για τη μηχανή σας - μην δοκιμάσετε να εφαρμόσετε τυχόν άλλη λεπίδα.

### Εφαρμόζοντας νέα λεπίδα (Εικόνας G)



Κοιτάξτε όλες τις σχετικές προειδοποιήσεις προτού αλλάξετε τη λεπίδα.



**Προειδοποίηση!** Αφαιρέστε το κλειδί ασφαλείας προτού αλλάξετε τη λεπίδα.

**G1**

- Αναποδογυρίστε τη μηχανή σας στην πλευρά της, έτσι που να εκτίθεται η κάτω πλευρά της αποβάθρας του κοπτήρα.
- Να φοράτε γάντια για να προστατεύετε τα χέρια σας.
- Χρησιμοποιώντας ένα ύφασμα τοποθετημένο πάνω στη λεπίδα ή σκληρά γάντια για να προστατεύουν τα χέρια σας, πιάστε τη λεπίδα και, χρησιμοποιώντας το βιδωτήρι που σας παρέχεται, χαλαρώστε και αφαιρέστε το παξιμάδι από το αδράκτι του κινητήρα. Γυρίστε το παξιμάδι σε αριστερόστροφη κατεύθυνση για να το χαλαρώσετε.

**G2**• Αφαιρέστε το παξιμάδι, την τετραγωνική ροδέλα, το σφυγκτήρα της λεπίδας και την λεπίδα.

- Για να αντικαταστήσετε τη λεπίδα βεβαιωθείτε όπως τα άκρα κοπής της λεπίδας είναι πολύ κοντά στο έδαφος και βάλτε την λεπίδα επάνω στη συνδυσασμένη κράτηση.

**G3**• Βάλτε την πλάκα του σφυγκτήρα επάνω από τον ώμο της συνδυσασμένης κράτησης που εξέχει μέσω της λεπίδας. Βεβαιωθείτε όπως ευθυγραμμίσετε τις εσωτερικές κόψεις με τις εξωτερικές κόψεις της λεπίδας.

**G4**• Τοποθετήστε τον τετραγωνικό χαλύβδινο διαχωριστήρα της λεπίδας επάνω στον άξονα του κινητήρα ευθυγραμμίζοντας τα εσωτερικά επίπεδα με τον άξονα και συγκρατώντας τις εξωτερικές κόψεις με την πλαστική πλάκα του σφυγκτήρα. Κρατήστε το παξιμάδι επάνω στον άξονα και γυρίστε το δεξιόστροφα για να σφίξει.

- Βεβαιωθείτε όπως τα αναλλακτικά που αφαιρέθηκαν ανταλλαχθούν σωστά πριν από την χρήση τους, γιατί η λανθασμένη συναρμολόγηση μπορεί να προκαλέσει βλάβη στη χλοοκοπτική σας μηχανή και να μειώσει την απόδοση κοπής.

**Σημείωση:** Αυτή η συσκευή είναι εφοδιασμένη με ροδέλα συμπλέκτη (24), μεταξύ του παξιμαδιού λεπίδας και της λεπίδας, που πρέπει πάντοτε να συναρμολογούνται. Τα χαλασμένα ανταλλακτικά της συσκευής της λεπίδας πρέπει να αντικαθιστούνται πριν από τη χρήση τους.

## Προστασία υπερφόρτωσης

Η μηχανή σας είναι εφαρμοσμένη με προστασία υπερφόρτωσης.

Εάν εργάζεστε πάρα πολύ γρήγορα σε μεγάλο χορτάρι, ή σε βαριές συνθήκες κοπής, μπορεί να υπερφορτώσετε τον κινητήρα. Αυτό θα φανεί με μια σημαντική πτώση στην ταχύτητα, και τελικά, η προστασία υπερφόρτωσης θα λειτουργήσει. Αυτό δεν αποτελεί λάθος αλλά ασφαλιστικό σύστημα για την προστασία της μηχανής σας.

Όταν συμβεί κάτι τέτοιο, αφαιρέστε το κλειδί ασφάλειας και περιμένετε για 1 μέχρι 2 λεπτά για να κρυώσει, καθαρίστε τυχόν εμπόγματα και βεβαιώνοντας ότι η λεπίδα είναι ελεύθερη να περιστρέφεται. Για να ξαναξεκινήσετε,

αντικαταστήστε το κλειδί ασφάλειας και χειριστείτε τον μοχλό του διακόπτη.

Εάν η διακοπή λειτουργήσει και πάλι εντός 10 λεπτών, θα πρέπει να αυξήσετε το ύψος κοπής (βλέπε “Ρύθμιση Ύψους Κοπής”).

Η σοβαρή υπερφόρτωση μπορεί να προκαλέσει μεγαλύτερη καθυστέρηση στο ξαναξεκίνημα. Σε αυτές τις περιπτώσεις, μετά από την επαναρύθμιση, θα πρέπει να αφήσετε τον κινητήρα να κρυώσει.

Για να έχετε τα καλύτερα δυνατά αποτελέσματα:

- Να κόβετε τακτικά το χορτάρι.
- Να μην κόβετε μουσκεμένο χορτάρι.
- Όταν το χορτάρι είναι μεγαλύτερο από 10cm (4 ίντς), σας συμβουλεύουμε να περνάτε πάνω στη χλόη σε ρύθμιση υψηλής κοπής και να τελειώνετε με χαμηλότερη ρύθμιση.

## Φροντίδα και συντήρηση

Οι συμβουλές που δίνονται σ’ αυτό το κεφάλαιο καλύπτουν τη γενική φροντίδα και συντήρηση του κυρίου αμαξώματος της μηχανής σας. Συμβουλές σχετικά με τις λεπίδες δίνονται στο κεφάλαιο “Συντήρηση των Λεπίδων”.

Συμβουλές σχετικά με τη συντήρηση και αποθήκευση της μπαταρίας δίνονται στο μέρος “Πληροφορίες για την Μπαταρία”.

- Πάντοτε να διατηρείτε τη μηχανή σας καθαρή και χωρίς κοψίματα γρασιδιού, ειδικά στο κάτω μέρος της βάσης του κοπτήρα και των αεραγωγών.
- Στο τέλος κάθε περιόδου κοπής, σας συστήνουμε όπως αφαίρετε τη συσσώρευση γρασιδιού στο κάτω μέρος του καλύμματος του κοπτήρα, χρησιμοποιώντας ένα μη αιχμηρό αντικείμενο, το κλειδί που περιλαμβάνεται μαζί με τη θεριστική μπορεί να χρησιμοποιείται γι’ αυτό το σκοπό.
- Να καθαρίζετε όλα τα πλαστικά συστατικά με μουσκεμένο ύφασμα.
- **Προσοχή:** Μη χρησιμοποιείτε διαλύματα ή υγρά καθαρισματος, γιατί μπορούν να προκαλέσουν βλάβη στα πλαστικά συστατικά της μηχανής σας.



## Εξεύρεση λαθών

Αν η μηχανή σας δεν λειτουργεί κανονικά, χρησιμοποιήστε τον ακόλουθο πίνακα για την εντόπιση του προβλήματος.

Συμπτώματα	Επανάρθωση
Η θεριστική δεν λειτουργεί όταν ο μοχλός του διακόπτη είναι ενεργοποιημένος.	(α) Ελέγξτε για να βεβαιωθείτε ότι το κλειδί ασφαλείας έχει τοποθετηθεί σωστά. (β) Αφαιρέστε το κλειδί ασφαλείας, αναποδογυρίζοντας και ελέγξτε όπως η λεπίδα είναι ελεύθερη για να περιστρέφεται. (γ) Μήπως η μπαταρία έχει πλήρως φορτισθεί; Βάλτε στην πρίζα τον φορτιστή και περιμένετε να φανεί το πράσινο φως.
Η μηχανή σταματά όταν κόβει	(α) Αφαιρέστε το κλειδί ασφαλείας. Αναποδογυρίστε και ελέγξτε για να βεβαιωθείτε ότι η λεπίδα είναι ελεύθερη να περιστραφεί. (β) Σηκώστε το ύψος κοπής των τροχών και ξεκινήστε τη χλοοκοπτική. (γ) Μήπως η μπαταρία έχει πλήρως φορτισθεί; Βάλτε στην πρίζα τον φορτιστή και περιμένετε να φανεί το πράσινο φως. (δ) Αφαιρέστε το κλειδί ασφαλείας και περιμένετε για 1 μέχρι 2 λεπτά για να κρυώσει, καθαρίστε τυχόν εμφράγματα και βεβαιώνοντας ότι η λεπίδα είναι ελεύθερη να περιστρέφεται. Για να ξαναξεκινήσετε, αντικαταστήστε το κλειδί ασφαλείας και χειριστείτε τον μοχλό του διακόπτη.
Η μηχανή λειτουργεί αλλά η απόδοση κοπής δεν είναι ικανοποιητική.	(α) Μήπως η μπαταρία δεν έχει πλήρως φορτισθεί; Βάλτε στην πρίζα τον φορτιστή και περιμένετε να φανεί το πράσινο φως. (β) Η μπαταρία μπορεί να χρειάζεται αντικατάσταση. Συμβουλευθείτε το μέρος "Διάθεση των Μπαταριών".
Η μηχανή είναι δύσκολη να τραβηχθεί.	(α) Υψώστε το ύψος κοπής για να μειώσετε το τράβηγμα στο χόρτο. Ελέγξτε τον κάθε τροχό για ευκολία περιστροφής.

Η μηχανή κάνει αντικανονικό θόρυβο και κάνει δονήσεις.

(α) Αφαιρέστε το κλειδί ασφαλείας. Γυρίστε τη μηχανή πλευρικά και ελέγξτε τη λεπίδα για τυχόν βλάβη. Εάν έχει βλάβη, αντικαταστήστε την με ανταλλακτικό υπηρεσίας της Black & Decker.  
(β) Εάν δεν υπάρχει ορατή βλάβη στη λεπίδα ή κάτω από τη χλοοκοπτική, επιστρέψτε την στο τοπικό κέντρο ή σε αναγνωρισμένο αντιπρόσωπο.



**Προειδοποίηση!** Πάντοτε να αφαιρείτε το κλειδί ασφαλείας προτού εκτελέσετε οποιαδήποτε επιθεώρηση.

## Τι να κάνετε αν η μηχανή σας χρειάζεται επιδιόρθωση

Πληροφορίες για το πώς και πού να στείλετε την χλοοκοπτική σας μηχανή για επιδιόρθωση ή σέρβις δίνονται στην κάρτα εγγυήσεώς σας. Σας συνιστούμε να φυλάγετε αυτή την κάρτα σε ασφαλές μέρος.

## Άλλα Προϊόντα της Black & Decker

Η Black & Decker διαθέτει μια σειρά εξωτερικών ηλεκτρικών εργαλείων που διευκολύνουν την εργασία στον κήπο. Αν θέλετε περισσότερες πληροφορίες για τα ακόλουθα προϊόντα, παρακαλείσθε όπως επικοινωνήσετε με το Κέντρο Υπηρεσίας Πληροφοριών της Black & Decker στη διεύθυνση που δίνεται στο πίσω εξώφυλλο, ή επικοινωνήστε με τον προμηθευτή της Black & Decker.

**Χλοοκοπτικές, Άλυσοπρίονα, Μηχανές Φινιρίσματος Χόρτου, Απορροφητήρες φύλλων, Μηχανές Καθαρίσματος Χόρτου, Σπαστήρες κλαδιών, Κλαδευτήρια θάμνων**

### Δήλωση Συμμόρφωσης της ΕΚ

Υπεύθυνα δηλώνουμε ότι οι συσκευές:  
**GRC730**

συμμορφούνται προς τις διατάξεις  
89/392/ΕΕΚ, 89/336/ΕΕΚ, EN55104  
73/23/ΕΕΚ, EN55014, EN60335

Για καταμετρημένη πίεση ήχου @ 4m 80dB (A)  
Για καταμετρημένη ισχύς ήχου 91dB (A)  
Καταμέτρηση δόνησης χεριού/βραχίονα  
<2.5m/s<sup>2</sup>

Brian Cooke

Διευθυντής Μηχανολογίας  
Spennymoor, Co Durham DL16 6JG, Ηνωμένο Βασίλειο

---

---

<b>Australia</b>	Black & Decker (A'asia) Pty Ltd 286-288 MaroonDAH Highway, North Croydon, Victoria 3136	Tel: 03 9213 8200 Fax: 03 9726 7150
<b>Belgique/België</b>	Black & Decker Belgium NV Weihoek 1, 1930 Zaventem	Tel: 02 719 07 11 Fax: 02 721 40 45
<b>Danmark</b>	Black & Decker Hejrevang 26 B, 3450 Allerød	Tlf: 70-20 15 10 Fax: 48-14 13 99
<b>Deutschland</b>	Black & Decker GmbH Black & Decker Straße 40, 65510 Idstein	Tel: 06126 210 Fax: 06126 212435
<b>Ελλάς</b>	<b>Black &amp; Decker (Ελλάς) ΑΕ</b> Λεωφ. Συγγρού 154 Αθήνα 176 71	Τηλ: 01 9242870-75 Service: 01 9242876-7 Fax: 01 9242869
<b>España</b>	Black & Decker de España SA Ctra. de Acceso a Roda de Bará, km 0,7 43883-Roda de Bará, Tarragona	Tel: 977 297100 Tlx: 56631 BLADE E Fax: 977 299139
<b>France</b>	Black & Decker (France) Sarl Le Paisy 69570 Dardilly, Lyon	Tel: 04 72 20 39 20 Tlx: 300 250 Fax: 04 72 20 39 00
<b>Helvetia</b>	Black & Decker AG Elektrowerkzeuge Rütistraße 14, CH-8952 Schlieren Schweiz/Suisse	Tel: 01 730 69 33 Tlx: 54462 BDZH CH Fax: 01 730 70 67
<b>Italia</b>	Black & Decker Italia SpA Viale Elvezia 2, 20052 Monza (Mi)	Tel: 039 23 87 1 Fax: 039 23 87 59 3 Numero verde: 167 21 39 35
<b>Nederland</b>	Black & Decker (Nederland) BV Florijnstraat 10, 4879 AH Etten-Leur	Tel: 076 5082000 Fax: 076 5038184
<b>New Zealand</b>	Black & Decker 483 Great South Road, Penrose, Auckland	Tel: 09 579 7600 Fax: 09 579 8200
<b>Norge</b>	Black & Decker (Norge) A/S Strømsveien 344, 1081 Oslo	Tel: 22-90 99 00 Fax: 22-90 99 01
<b>Österreich</b>	Black & Decker Werkzeugevertriebs GmbH Erlaaerstraße 165, Postfach 69, 1230 Wien	Tel: 0222 66 116 0 Tlx: 13228 BLACK A Fax: 0222 66 116 14
<b>Portugal</b>	Black & Decker Rua Egas Moniz 173, Apartado 19 S. João do Estoril, 2768 Estoril, Codex	Tel: 468 76 13/468 75 13 Tlx: 16 607 BLADEC P Fax: 467 15 80
<b>South Africa</b>	Black & Decker South Africa (Pty) Ltd Suite no 107, PostNet X65, Halfway House 1685	Tel: 011 314 4431 Fax: 011 314 4435
<b>Suomi</b>	Black & Decker Oy Rälssitie 7 C, 01510 Vantaa Frälsevägen 7 C 01510 Vanda	Puh: 09-825 45 40 Fax: 09-825 45 444 Tel: 09-825 45 40 Fax: 09-825 45 444
<b>Sverige</b>	Black & Decker AB Box 603, 421 26 Västra Frölunda, Besöksadr. Ekonomivägen 11	Tel: 031-68 60 00 Fax: 031-68 60 08
<b>Türkiye</b>	<b>Black &amp; Decker Elektrikli Ev (Aletleri Türkiye Distribütörü):</b> Vestel Dayanıklı Tüketim, Malları Paz. A.Ş., Eski Büyükdere Cad. İETT Garajı Yanı, 80650 4. Levent - İstanbul	Tel: 0 212 2823600 (10 h) Fax: 0 212 2823307
<b>United Kingdom</b>	Black & Decker 210 Bath Road, Slough Berkshire SL1 3YD	Tel: 01753 574277 Tlx: 848317 BAND MH Fax: 01753 551155



Forhandler adresse  
Händleradresse  
Διεύθυνση αντιπροσώπων  
Address of dealer  
Dirección del detallista  
Cachet du revendeur  
Indirizzo del rivenditore  
Adres van de dealer  
Forhandlerens adresse  
Morada do revendedor  
Jälleenmyyjän osoite  
Återförsäljarens adress

Inköpsdatum  
Kaufdatum  
Ημερομηνία αγοράς  
Date of purchase  
Fecha de compra  
Date d'achat  
Data d'acquisto  
Aankoopdatum  
Innkjøpsdato  
Data de compra  
Ostopäivä  
Inköpsdatum

Navn/Name/Όνομα/Nombre/Nom/  
Nome/Naam/Navn/Nome/Nimi/Namen:

Adresse/Adresse/Διεύθυνση/Address/  
Dirección/Adresse/Indirizzo/Adres/Adresse/  
Morada/Osoite/Address:

By/Wohnort/Πόλη/Town/Ciudad/Ville/Città/  
Plaats/By/Localidade/Paikkakunta/By:

Postnr./Postleitzahl/Κωδικός/Postcode/  
Code postal/Código/Codice postale/Postcode/  
Postnr./Código postal/Postnummero/Postnr.:

Er maskinen en gave?/Ist diese Maschine ein  
Geschenk?/Η μηχανή είναι δωρό?/Is this  
product a gift?/¿Ha recibido usted esta  
herramienta como regalo?/S'agit-il d'un  
cadeau?/Si tratta di un regalo?/Kreeg u deze

machine cadeau?/Er maskinen en gave?/  
Recebeu esta ferramenta como presente?/  
Onko kone lahja?/Ar maskinen en gava?

Ja/Yes/Si/Oui/Sì/Ja/Ja/Sim/  
Kyllä/Ja

Nej/Nein/Όχι/No/No/Noo/Nea/Nei/  
Nao/Ei/Nei

Hvor meget kostede maskinen?/Was war der  
Preis dieses Werkzeuges?/Ποιά είναι η τιμή  
του εργαλείου αυτού?/What was the price of  
this tool?/¿Cual fue el precio de esta  
herramienta?/Prix payé?/Quanto ha pagato  
questo prodotto?/Wat was de prijs van dit  
product?/Hvor meget kostet maskinen?/Que  
preço pagou por esta ferramenta?/Paljonko  
kone maksoi?/Hur mycket kostade maskinen?

Er dette din første B&D maskine?/Ist dieses  
Werkzeug-/Eival: το εργαλείο αυτό-/Is this tool-  
/¿Es esta herramienta que comprado-/Est-ce-/  
Questo prodotto è-/Is deze machine-/Er dette  
din første B&D maskine?/Esta ferramenta é-/  
Onko tämä ensimmäinen B&D-koneesi?/  
Är detta Din första B&D-velu?

Ja/ein Erstkauf?/η πρώτη σας αγορά?/  
your first purchase?/la primera de  
este tipo?/un ler achat?/il suo primo  
acquisto?/uw eerste aankoop?/Ja/a  
sua primeira compra?/Kyllä/Ja

Nej/Erstkauf?/για αντικατάσταση?/a  
replacement?/un reemplazo?/un  
achat de remplacement?/una  
sostituzione?/een vervanging?/Nei/  
una substituição?/Ei/Nei

Forhandler adresse/Händleradresse/Διεύθυνση  
αντιπροσώπων/Address of dealer/Dirección del  
detallista/Cachet du revendeur/Indirizzo del  
rivenditore/Dealeradres/Forhandlerens  
adresse/Morada do revendedor/Jälleenmyyjän  
osoite/Återförsäljarens adress:

• Venligst sæt kryds i ruden såfremt De  
ikke måtte ønske at modtage information  
fra anden virksomhed end Black & Decker.

• Bitte ankreuzen, falls Sie weiteres  
Informationsmaterial von Black & Decker  
erhalten möchten. • Παρακαλείσθε να  
σημειώσετε εάν δεν θέλετε να λάβετε  
πληροφορίες άλλης εταιρείας εκτός της  
Black & Decker. • Data protection act: Tick the  
box if you prefer not to receive information from  
us or others. • Señale en la casilla sino quiere  
recibir información de otras empresas. • Si vous  
ne souhaitez pas recevoir d'informations de la  
part d'autres sociétés que Black & Decker,  
cochez cette case. • Barrate la casella se non  
desiderate ricevere informazioni da altre  
aziende. • A.u.b.dit vakje aankruisen indien u  
geen informatie wenst te ontvangen van andere  
bedrijven dan Black & Decker. • Venligst kryss  
av dersom De ikke ønsker informasjon fra andre  
bedrifter enn Black & Decker. • Por favor,  
assinale com uma cruz se desejar receber  
informação de outras empresas, além da  
Black & Decker. • Merkitkää rasti ruutuun, mikäli  
ette halua vastaanottaa informaatiota muulta  
taholta kuin Black & Deckeriltä. • Vänligen  
kryssa för i rutan om Ni inte vill ha information  
från andra företag än Black & Decker.

Cat. no. **GRC730**

• GARANTI KORT • GARANTIEKARTE • KAPTA ETΓΥΗΣΗΣ • GUARANTEE CARD • TARJETA DE GARANTÍA • CARTE DE GARANTIE  
• TAGLIANDO DI GARANZIA • GARANTIE-KAART • GARANTI KORT • CARTÃO DE GARANTIA • TAKUKORTTI • GARANTIBEVIS

**Australia** Call 1 900 937766 (max. call charge \$2.00 ex. tax)

**Belgique/België** Weinhoek 1, 1930 Zaventem

**Danmark** Hejrevang 28B, 3450 Allerød

**Deutschland** Black & Decker Str. 40, D-65510 Idstein

**Ελλάδα** Black & Decker Ελλάς, Συγγρού 154, 17671 Καλλιθέα

**España** 43883 Roda de Barà (Tarragona)

**France** BP21, 69571 Dardilly Cedex

**Helvetia** Rütistrasse 14, 8952 Schlieren, Schweiz/Suisse

**Italia** Viale Elvezia 2, 20052 Monza (MI)

**Nederland** Fiorijnstraat 10, 4879 AH Ethen-Leur

**New Zealand** Call 0900 97766 (max. call charge \$2.00 ex. tax)

**Norge** Strømsveien 344, 1081 Oslo

**Österreich** Erlaauer Straße 165, 1231 Wien

**Portugal** Ria Egas, Moniz 173, S. João do Estoril, 2768 Estoril Codex

**South Africa** Black & Decker, Suite 107, PN X65, Halfway Hse, 1685

**Suomi** Black & Decker Oy, Rällsitie 7C, 01510 Vantaa

**Sverige** Box 603, 421 26 Västra Frölunda

**UK & Ireland** P O Box 821, Slough, Berkshire, SL1 3AR

**Danmark** Venligst klip denne del ud og send frankeret til Black & Decker i dit land.

**Deutsch** Bitte schneiden Sie diesen Abschnitt ab, stecken ihn in einen frankierten Umschlag und schicken ihn direkt an die Black & Decker Adresse Ihres Landes.

**Ελλάδικα** Παρακαλώ κόψτε αυτό το κομμάτι και τοποθετήστε το αμέσως μετά την αγορά του προϊόντος σας στην δεξιόθλορη της Black & Decker στην Ελλάδα (βλέπε πάνω).

**English** Please complete this section immediately after the purchase of your product and post it to the Black & Decker address in your country (above).

**Español** If you live in Australia or New Zealand, please register by phone. Después de haber comprado su herramienta envíe usted, por favor, esta tarjeta a la central de Black & Decker en su país.

**Français** Découpez cette partie et envoyez-la sous enveloppe timbrée à l'adresse de Black & Decker dans votre pays (voir ci-dessus), ceci immédiatement après votre achat.

**Italiano** Per favore ritagliate questa parte, inseritela in una busta con francobollo e spedirla subito dopo l'acquisto del prodotto all'indirizzo della Black & Decker nella vostra nazione (vedi sopra).

**Nederlands** Knip dit gedeelte uit, zend het in een gefrankeerde, geadresseerde envelop direct na uw aankoop naar het Black & Decker-adres in uw land (zie boven).

**Norge** Vennligst klipp ut denne delen umiddelbart etter du har pakket ut ditt produkt og legg det i en adressert konvolutt til Black & Decker (Norge) AS (se adresse over).

**Português** Por favor, recorte esta parte, coloque-a num envelope selado e enderegado e envie-o logo após a compra do seu produto para o endereço da Black & Decker do seu país.

**Suomi** Leikkää iriti tämä osa, laita se oikeiseen kuoreen ja postita kuori yllä olevaan paikalliseen Black & Decker osoitteeseen.

**Sverige** Var vänlig klipp ur denna del. Skriv Ditt namn och adress på ett frankerat kuvert, och sänd det genast till Black & Deckers adress i Ditt land (se ovan).

