

**BLACK+  
DECKER**™

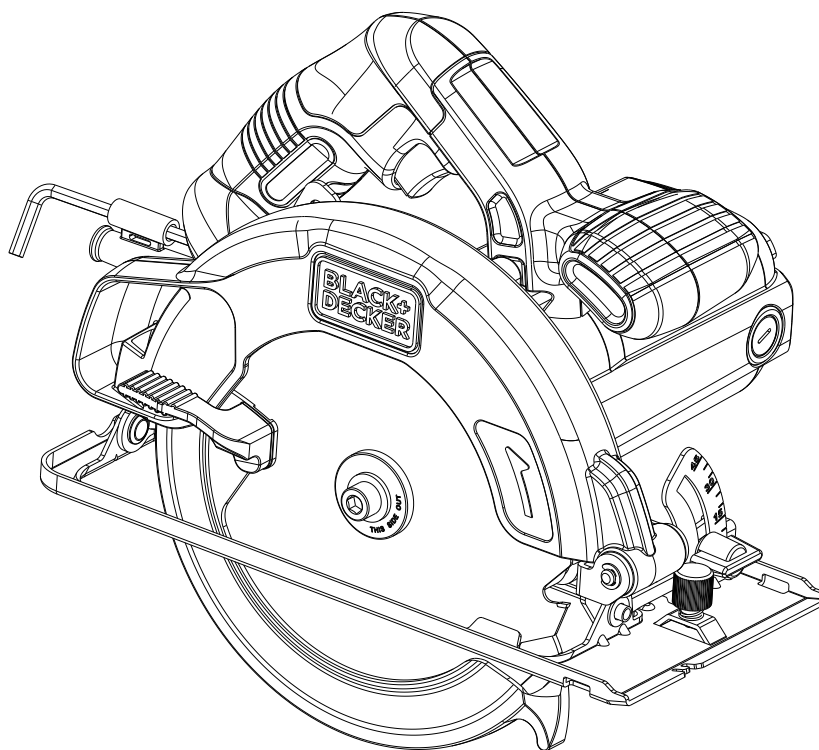


FIG. A

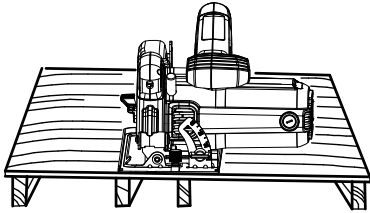


FIG. B

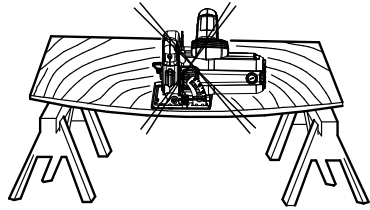


FIG. C

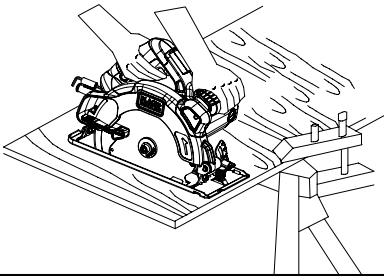


FIG. D

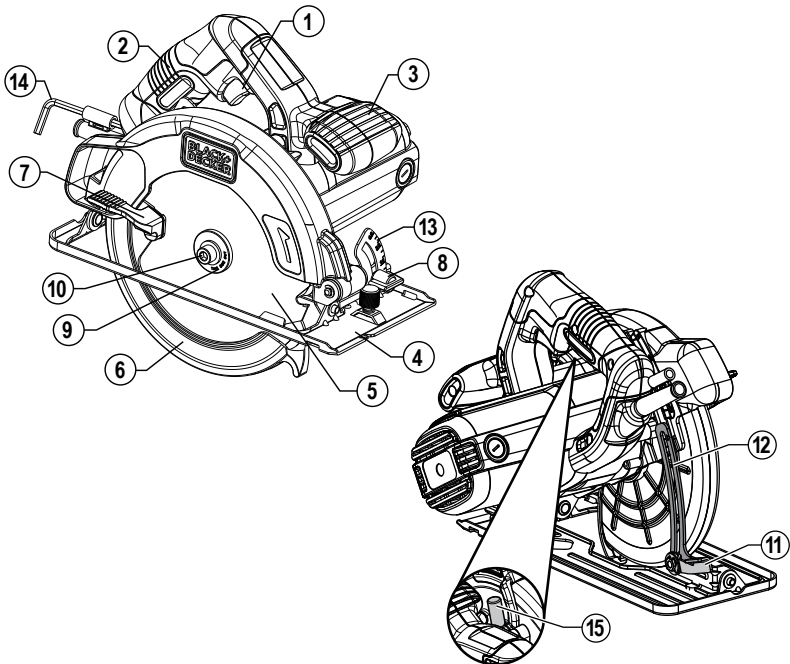
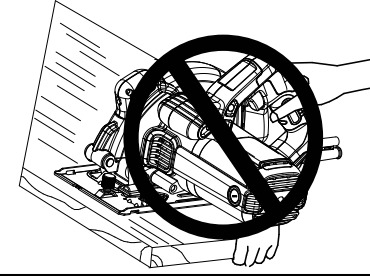


FIG. E

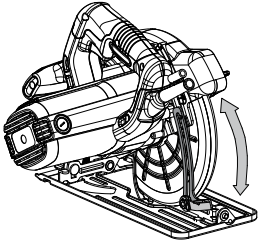


FIG. F

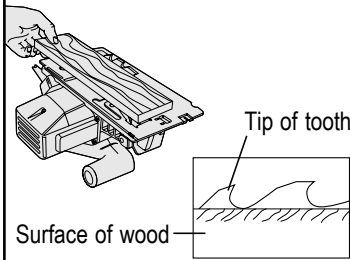


FIG. G

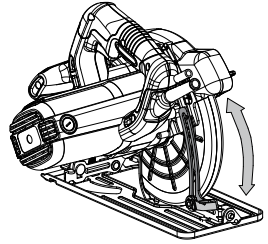


FIG. H

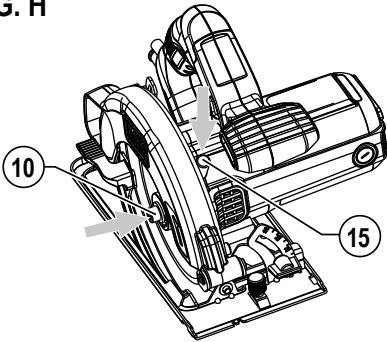


FIG. I

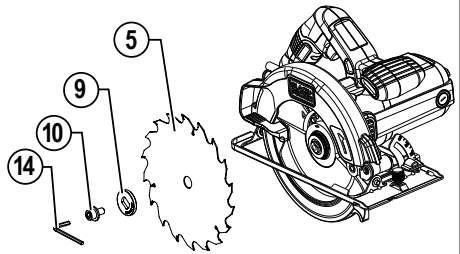


FIG. J

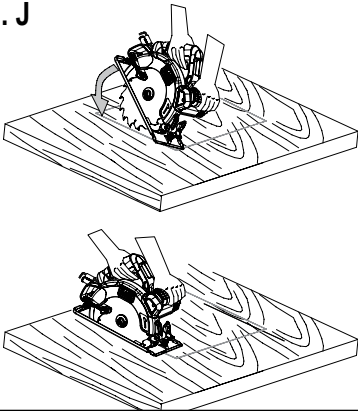
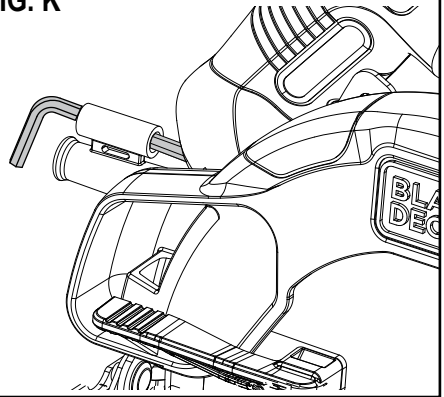


FIG. K



## Intended use

Your BLACK+DECKER™ CS1004 Circular Saw has been designed for sawing wood and wood products. This tool is intended for consumer use only.

## Safety instructions

### General power tool safety warnings



**Warning: Read all safety warnings and all instructions.** Failure to follow the warnings and instructions listed below may result in electric shock, fire and/or serious injury.

**Save all warnings and instructions for future reference.** The term "power tool" in all of the warnings listed below refers to your mains operated (corded) power tool or battery operated (cordless) power tool.

### 1. Work area safety

- a. **Keep work area clean and well lit.**  
Cluttered and dark areas invite accidents.
- b. **Do not operate power tools in explosive atmospheres, such as in the presence of flammable liquids, gases or dust.** Power tools create sparks which may ignite the dust or fumes.
- c. **Keep children and bystanders away while operating a power tool.**  
Distractions can cause you to lose control.

### 2. Electrical safety

- a. **Power tool plugs must match the outlet. Never modify the plug in any way. Do not use any adapter plugs with earthed (grounded) power tools.** Unmodified plugs and matching outlets will reduce risk of electric shock.
- b. **Avoid body contact with earthed or grounded surfaces such as pipes, radiators, ranges and refrigerators.**  
There is an increased risk of electric shock if your body is earthed or grounded.
- c. **Do not expose power tools to rain or wet conditions.** Water entering a power tool will increase the risk of electric shock.

- d. **Do not abuse the cord. Never use the cord for carrying, pulling or unplugging the power tool. Keep cord away from heat, oil, sharp edges or moving parts.**  
Damaged or entangled cords increase the risk of electric shock.
- e. **When operating a power tool outdoors, use an extension cord suitable for outdoor use.** Use of a cord suitable for outdoor use reduces the risk of electric shock.
- f. **If operating a power tool in a damp location is unavoidable, use a residual current device (RCD) protected supply.**  
Use of an RCD reduces the risk of electric shock.

### 3. Personal safety

- a. **Stay alert, watch what you are doing and use common sense when operating a power tool. Do not use a power tool while you are tired or under the influence of drugs, alcohol or medication.** A moment of inattention while operating power tools may result in serious personal injury.
- b. **Use personal protective equipment. Always wear eye protection.** Protective equipment such as dust mask, non-skid safety shoes, hard hat, or hearing protection used for appropriate conditions will reduce personal injuries.
- c. **Prevent unintentional starting. Ensure the switch is in the off-position before connecting to power source and/or battery pack, picking up or carrying the tool.** Carrying power tools with your finger on the switch or energising power tools that have the switch on invites accidents.
- d. **Remove any adjusting key or wrench before turning the power tool on.** A wrench or a key left attached to a rotating part of the power tool may result in personal injury.
- e. **Do not overreach. Keep proper footing and balance at all times.** This enables better control of the power tool in unexpected situations.

**f. Dress properly. Do not wear loose clothing or jewellery. Keep your hair, clothing and gloves away from moving parts.** Loose clothes, jewellery or long hair can be caught in moving parts.

**g. If devices are provided for the connection of dust extraction and collection facilities, ensure these are connected and properly used.** Use of dust collection can reduce dust-related hazards.

#### 4. Power tool use and care

**a. Do not force the power tool. Use the correct power tool for your application.** The correct power tool will do the job better and safer at the rate for which it was designed.

**b. Do not use the power tool if the switch does not turn it on and off.** Any power tool that cannot be controlled with the switch is dangerous and must be repaired.

**c. Disconnect the plug from the power source and/or the battery pack from the power tool before making any adjustments, changing accessories, or storing power tools.** Such preventive safety measures reduce the risk of starting the power tool accidentally.

**d. Store idle power tools out of the reach of children and do not allow persons unfamiliar with the power tool or these instructions to operate the power tool.** Power tools are dangerous in the hands of untrained users.

**e. Maintain power tools. Check for misalignment or binding of moving parts, breakage of parts and any other condition that may affect the power tools operation. If damaged, have the power tool repaired before use.** Many accidents are caused by poorly maintained power tools.

**f. Keep cutting tools sharp and clean.** Properly maintained cutting tools with sharp cutting edges are less likely to bind and are easier to control.

**g. Use the power tool, accessories and tool bits etc. in accordance with these instructions, taking into account the**

**working conditions and the work to be performed.** Use of the power tool for operations different from those intended could result in a hazardous situation.

#### 5. Service

**a. Have your power tool serviced by a qualified repair person using only identical replacement parts.** This will ensure that the safety of the power tool is maintained.

#### Additional power tool safety warnings



**Warning!** Additional safety warnings for saws

**a. Keep hands away from cutting area and the blade. Keep your second hand on auxiliary handle, or motor housing.** If both hands are holding the saw, they cannot be cut by the blade.

**b. Do not reach underneath the workpiece.** The guard cannot protect you from the blade below the workpiece.

**c. Adjust the cutting depth to the thickness of the workpiece.** Less than a full tooth of the blade teeth should be visible below the workpiece.

**d. Never hold piece being cut in your hands or across your leg. Secure the workpiece to a stable platform.** It is important to support the work properly to minimize body exposure, blade binding, or loss of control.

**e. Hold power tool by insulated gripping surfaces when performing an operation where the cutting tool may contact hidden wiring or its own cord.** Contact with a "live" wire will also make exposed metal parts of the power tool "live" and shock the operator.

**f. When ripping always use a rip fence or straight edge guide.** This improves the accuracy of cut and reduces the chance of blade binding.

**g. Always use blades with correct size and shape (diamond versus round) of arbour holes.** Blades that do not match the mounting hardware of the saw will run eccentrically, causing loss of control.

**h. Never use damaged or incorrect blade washers or bolt.** The blade washers and bolt were specially designed for your saw, for optimum performance and safety of operation.

#### Further safety instructions for all saws

Causes and operator prevention of kickback:

- kickback is a sudden reaction to a pinched, bound or misaligned saw blade, causing an uncontrolled saw to lift up and out of the workpiece toward the operator;
- when the blade is pinched or bound tightly by the kerf closing down, the blade stalls and the motor reaction drives the unit rapidly back toward the operator;
- if the blade becomes twisted or misaligned in the cut, the teeth at the back edge of the blade can dig into the top surface of the wood causing the blade to climb out of the kerf and jump back toward the operator.

Kickback is the result of saw misuse and/or incorrect operating procedures or conditions and can be avoided by taking proper precautions as given below.

- a. Maintain a firm grip with both hands on the saw and position your arms to resist kickback forces. Position your body to either side of the blade, but not in line with the blade.** Kickback could cause the saw to jump backwards, but kickback forces can be controlled by the operator, if proper precautions are taken.
  - b. When the blade is binding, or when interrupting a cut for any reason, release the trigger and hold the saw motionless in the material until the blade comes to a complete stop. Never attempt to remove the saw from the work or pull the saw backward while the blade is in motion or kickback may occur.** Investigate and take corrective actions to eliminate the cause of blade binding.
  - c. When restarting a saw in the workpiece, centre the saw blade in the kerf and check that saw teeth are not engaged**
- into the material.** If saw blade is binding, it may walk up or kickback from the workpiece as the saw is restarted.
  - d. Support large panels to minimise the risk of blade pinching and kickback. Large panels tend to sag under their own weight.** Supports must be placed under the panel on both sides, near the line of cut and near the edge of the panel.
  - e. Do not use dull or damaged blades.** Unsharpened or improperly set blades produce narrow kerf causing excessive friction, blade binding and kickback.
  - f. Blade depth and bevel adjusting locking levers must be tight and secure before making cut.** If blade adjustment shifts while cutting, it may cause binding and kickback.
  - g. Use extra caution when making a "plunge cut" into existing walls or other blind areas.** The protruding blade may cut objects that can cause kickback.

#### Safety instructions for circular saws with outer or inner pendulum guards and with tow guard

- a. Check lower guard for proper closing before each use. Do not operate the saw if lower guard does not move freely and close instantly. Never clamp or tie the lower guard into the open position.** If saw is accidentally dropped, lower guard may be bent. Raise the lower guard with the retracting handle and make sure it moves freely and does not touch the blade or any other part, in all angles and depths of cut.
- b. Check the operation of the lower guard spring. If the guard and the spring are not operating properly, they must be serviced before use.** Lower guard may operate sluggishly due to damaged parts, gummy deposits, or a build-up of debris.
- c. Lower guard should be retracted manually only for special cuts such as "plunge cuts" and "compound cuts". Raise lower guard by retracting handle and as soon as blade enters the material, the lower guard must be released.** For all other sawing, the lower guard should operate automatically.

- d. Always observe that the lower guard is covering the blade before placing saw down on bench or floor.** An unprotected, coasting blade will cause the saw to walk backwards, cutting whatever is in its path. Be aware of the time it takes for the blade to stop after switch is released.



Read Instructions Manual



Use Eye Protection





Use Ear Protection

Hz ..... Hertz

W ..... Watts

min ..... minutes

 ..... Alternating Current

 ..... Direct Current

V ..... Volts

A ..... Amperes

$n_0$  ..... No-Load Speed



..... Class II Construction



..... Earthing Terminal



..... Safety Alert Symbol



...../min.. Revolutions or Reciprocation per minute

## Residual risks

The following risks are inherent to the use of saws:

- Injuries caused by touching the rotating parts.

Even with the application of the relevant safety regulations and the implementation of safety devices, certain residual risks cannot be avoided. These are:

- Impairment of hearing.
- Risk of accidents caused by the uncovered parts of the rotating saw blade.
- Risk of injury when changing the blade.
- Risk of squeezing fingers when opening the guards.
- Health hazards caused by breathing dust developed when sawing wood, especially oak, beech and MDF.

## Saw blades

- Do not use blades of larger or smaller diameter than recommended. For the proper blade rating refer to the technical data. Use only the blades specified in this manual, complying with EN 847-1.
- **Warning!** Never use abrasive wheels.

## Safety of others

- This appliance is not intended for use by persons (including children) with reduced physical, sensory or mental capabilities, or lack of experience and knowledge, unless they have been given supervision or instruction concerning use of the appliance by a person responsible for their safety.
- Children should be supervised to ensure that they do not play with the appliance.

## Labels on tool

The label on your tool may include the following symbols

## List of Content

1 Circular saw

1 18-Teeth blade with carbide tungsten tips

1 Rip fence

## Position of date barcode

The Date Code, which also includes the year of manufacture, is printed into the housing. Example:

2017 XX JN  
Year of manufacturing

## Electrical safety



This tool is double insulated; therefore no earth wire is required. Always check that the power supply corresponds to the voltage on the rating plate.

- If the supply cord is damaged, it must be replaced by the manufacturer or an authorised BLACK+DECKER Service Centre in order to avoid a hazard.

## Features (Pg. 2)

1. On/off switch
2. Main handle
3. Secondary handle
4. Shoe
5. Saw blade
6. Saw blade lower guard
7. Lower guard retracting lever
8. Bevel adjustment knob
9. Outer blade clamp washer
10. Blade retaining bolt
11. Depth adjustment leve



- 12. Depth scale
- 13. Bevel angle scale
- 14. Saw blade hex wrench
- 15. Spindle lock button

### Assembly/Adjustment set-up

**Warning:** Always unplug saw from power supply before any of the following operations.

### Adjusting the depth of cut (Fig. E and F)

The depth of cut should be set according to the thickness of the workpiece.

- Loosen the lever (11) to unlock the saw shoe.
- Move the saw shoe (4) into the desired position (Fig. E). The corresponding depth of cut can be read from the scale (12).
- Tighten the lever to lock the saw shoe in place.
- Set depth adjustment of saw such that one tooth of the blade projects below the workpiece as shown in (Fig. F).

### Adjusting the bevel angle (Fig. G)

This tool can be set to bevel angles between 0° and 45°

- Loosen the locking knob (8) to unlock the saw shoe.
- Move the saw shoe (4) into the desired position (Fig. G). The corresponding bevel angle can be read from the scale (13).
- Tighten the locking knob to lock the saw shoe in place.

### Installing the blade (Fig. H)

- Keep the spindle lock button (15) depressed and rotate the blade until the spindle lock engages.
- Loosen and remove the blade retaining screw (10) by turning the hex wrench (14) counterclockwise (Fig. H).

- Remove the outer washer (9).
- Place the saw blade (5) onto the spindle shaft, making sure that the arrow on the blade points in the same direction as the arrow on the upper guard of the tool.
- Fit the outer washer on the spindle with the larger flat surface against the blade.
- Insert the blade retaining screw into the hole in the spindle.
- Securely tighten the blade retaining screw by turning hex wrench clockwise to tighten the blade retaining screw.

### Removing the blade

- Loosen and remove the blade retaining screw (10) by turning it counterclockwise using the hex wrench (14).
- Remove the outer washer (9).
- Remove the saw blade (5).

**Notice:** To reduce the risk of serious personal injury, read, understand and follow all important safety warnings and instructions prior to using tool.

**Warning:** To reduce the risk of serious personal injury, read, understand and follow all important safety warnings and instructions prior to using tool.

### General Cuts

#### (Important: read safety warnings and instructions.)

#### Guard against kickback

With unit unplugged, follow all assembly, adjustment and set up instructions. Make sure lower guard operates. Select the proper blade for the material to be cut.

- Measure and mark work for cutting.
- Support and secure work properly (See Safety Rules and Instructions).
- Use appropriate and required safety equipment (See Safety Rules).
- Secure and maintain work area (See Safety Rules).



- With plug inserted and guard closed, make sure switch turns saw on and off.

**Warning:** It is important to support the work properly and to hold the saw firmly to prevent loss of control which could cause personal injury. (Fig. C) illustrates recommended hand position.

## Operation

### Switch

- To operate the tool, depress the trigger switch (1). The tool will continue to run as long as the trigger is depressed.
- To turn the tool off, release the trigger switch (1). There is no provision for locking the tool on, and the switch should never be locked on by any other means.

## Cutting operations

**Warning:** To reduce the risk of serious personal injury, always hold the tool with both hands.

- After switching the tool on, allow the blade to come up to full speed before starting to cut.
- Apply only a gentle pressure to the tool while performing the cut.
- Always keep bottom surface of shoe in full contact with the workpiece.

## Hints for optimum use

- To minimize splintering of the finished surface of the workpiece material, cut the material with the finished surface on the underside.
- To minimize splintering on finished surfaces when the finished surface cannot be placed on the underside, such as when cutting laminates, securely clamp a sacrificial piece of plywood to the finished surface and cut through both materials.

## Ripping

Accessory rip fences are available for this circular saw. Ripping is the process of

cutting wide material into narrower strips, cutting along the grain of the material. Use an accessory rip guide or clamp a straight edge to the material to act as a guide when making rip cuts.

## Pocket cutting (Fig.J)

**Warning:** Never tie the blade guard in a raised position. Never move the saw backwards when pocket cutting. This may cause the unit to raise up off the work surface which could cause injury. A pocket cut is one that is made in a floor, wall, or other flat surface.

- Adjust the shoe (4) so the blade cuts at desired depth.
- Tilt the saw forward and rest front of the shoe on material to be cut.
- Using the retracting lever (7), retract lower blade guard to an upward position. Lower rear of shoe until blade (5) teeth almost touch cutting line.
- Release the blade guard (its contact with the work will keep it in position to open freely as you start the cut). Remove hand from guard lever and firmly grip secondary handle (3), as shown in Fig. J. Position your body and arm to allow you to resist kickback if it occurs.
- Make sure blade is not in contact with cutting surface before starting saw.
- Start the motor and gradually lower the saw until the shoe rests flat on the material to be cut. Advance saw along the cutting line until cut is completed.
- Release trigger and allow blade to stop completely before withdrawing the blade from the material.
- When starting each new cut, repeat as above.

## Wrench storage

The hex wrench (14) can be stored on the cord protector as shown in (Fig. K).

## Maintenance

Your BLACK+DECKER corded/cordless appliance/tool has been designed to operate over a long period of time with a minimum of maintenance. Continuous satisfactory operation depends upon proper tool care and regular cleaning.

**Warning!** Before performing any maintenance on corded/cordless power tools:

- Switch off and unplug the appliance/tool.
- Or switch off and remove the battery from the appliance/tool if the appliance/tool has a separate battery pack.
- Or run the battery down completely if it is integral and then switch off.
- Unplug the charger before cleaning it. Your charger does not require any maintenance apart from regular cleaning.
- Regularly clean the ventilation slots in your appliance/tool/charger using a soft brush or dry cloth.
- Regularly clean the motor housing using a damp cloth. Do not use any abrasive or solvent-based cleaner.
- Regularly open the chuck and tap it to remove any dust from the interior (when fitted).

## Protecting the environment



Separate collection. This product must not be disposed of with normal household waste.

Should you find one day that your BLACK+DECKER product needs replacement, or if it is of no further use to you, do not dispose of it with household waste. Make this product available for separate collection.



Separate collection of used products and packaging allows materials to be recycled and used again. Reuse of recycled materials helps prevent environmental pollution and reduces the demand for raw materials.

Local regulations may provide for separate collection of electrical products from the household, at municipal waste sites or by the retailer when you purchase a new product.

BLACK+DECKER provides a facility for the collection and recycling of BLACK+DECKER products once they have reached the end of their working life. To take advantage of this service please return your product to any authorised repair agent who will collect them on our behalf.

You can check the location of your nearest authorised repair agent by contacting your local BLACK+DECKER office at the address indicated in this manual. Alternatively, a list of authorised BLACK+DECKER repair agents and full details of our after-sales service and contacts are available on the Internet at: [www.2helpU.com](http://www.2helpU.com).

## TECHNICAL DATA

		CS1004
Power	W	1400
Voltage	V	220-240
Frequency	Hz	50/60
No-load speed	/min	5300
Cable	m	2
Weight	kg	3.6
Top Guard		Aluminum
Bottom Guard		Aluminum
Bevel Angle		45°
Maximum Depth	mm	62
Blade diameter	mm	185
Blade bore	mm	20
Blade tip width	mm	1.8

## Guarantee

BLACK+DECKER is confident of the quality of its products and offers an outstanding guarantee. This guarantee statement is in addition to and in no way prejudices your statutory rights.

If a BLACK+DECKER product becomes defective due to faulty materials, workmanship or lack of conformity, within 24 months from the date of purchase, BLACK+DECKER guarantees to replace defective parts, repair products subjected to fair wear and tear or replace such products to make sure of the minimum inconvenience to the customer unless:

- The product has been used for trade, professional or hire purposes.
- The product has been subjected to misuse or neglect.
- The product has sustained damage through foreign objects, substances or accidents.
- Repairs have been attempted by persons other than authorised repair agents or BLACK+DECKER service staff.

To claim on the guarantee, you will need to submit proof of purchase to the seller or an authorised repair agent. You can check the location of your nearest authorised repair agent by contacting your local BLACK+DECKER office at the address indicated in this manual. Alternatively, a list of authorised BLACK+DECKER repair agents and full details of our aftersales service and contacts are available on the Internet at: [www.2helpU.com](http://www.2helpU.com)

<b>TROUBLESHOOTING</b>		
<b>PROBLEM</b>	<b>POSSIBLE CAUSE</b>	<b>POSSIBLE SOLUTION</b>
Unit will not start	Cord not plugged in	Plug tool into a working outlet
	Circuit fuse is blown	Replace circuit fuse. (If the product repeatedly causes the circuit fuse to blow, discontinue use immediately and have it serviced at a BLACK+DECKER service center or authorized servicer)
	Circuit breaker is tripped	Reset circuit breaker. (If the product repeatedly causes the circuit breaker to trip, discontinue use immediately and have it serviced at a BLACK+DECKER service center or authorized servicer)
	Cord or switch is damaged	Have cord or switch replaced at BLACK+DECKER Service Center or Authorized Servicer.

## Usage prévu

Votre scie circulaire BLACK+DECKER™ CS1004 a été conçue pour le découpage du bois et de ses produits dérivés. Ce produit est destiné à un usage domestique uniquement.

## Consignes de sécurité

### Consignes générales de sécurité



**Avertissement !** Lisez toutes les consignes de sécurité et toutes les instructions. Le non-respect de ces avertissements et de ces instructions peut provoquer un incendie, une électrocution ou de graves blessures.

### Conservez ces avertissements et ces instructions à titre de référence ultérieure.

Le terme « outil électrique » dans les avertissements fait référence à votre outil électrique alimenté par batterie (avec cordon d'alimentation) ou votre outil fonctionnant sur batterie (sans cordon).

#### 1. Sécurité de l'aire de travail

- a. **Travaillez dans un endroit propre et bien éclairé.** Les zones encombrées et sombres peuvent entraîner des accidents.
- b. **Ne mettez pas en marche votre outil électrique dans un environnement explosif, ou en présence de liquides inflammables, de gaz, ou de poussières.** La mise en marche de l'outil crée des étincelles qui peuvent enflammer les poussières ou vapeurs.
- c. **Éloignez les enfants et les personnes présentes de la zone lorsque l'outil est en fonctionnement.** Toute distraction peut vous faire perdre le contrôle de l'outil.

#### 2. Sécurité électrique

- a. **Les fiches de l'outil électrique doivent correspondre à la prise secteur. Ne modifiez jamais la fiche, de quelque manière que ce soit. N'utilisez pas d'adaptateurs avec des outils ayant une prise de terre (mis à la terre).** Des fiches non modifiées et raccordées aux prises murales correspondantes réduiront les risques de choc électrique.
- b. **Évitez le contact direct avec les surfaces mises à la terre ou mises à la masse comme les canalisations, les radiateurs, les cuisinières et les réfrigérateurs.** Le

risque de choc électrique augmente si votre corps est mis à la terre ou à la masse.

- c. **N'utilisez pas d'outils électriques dans des environnements pluvieux ou humides.** Si de l'eau s'introduit dans un outil électrique, le risque de choc électrique augmentera.
  - d. **Ne malmenez pas le cordon d'alimentation. N'utilisez jamais le cordon pour transporter, tirer ou débrancher l'outil électrique. Veillez à garder le cordon éloigné des sources de chaleur, des huiles, des rebords coupants ou des pièces mobiles.** Les câbles endommagés ou entremêlés augmentent le risque de choc électrique.
  - e. **Lorsqu'un outil électrique est utilisé à l'extérieur, utilisez uniquement une rallonge spécialement prévue à cet effet.** L'usage d'une rallonge adaptée à l'utilisation en extérieur réduit le risque de choc électrique.
  - f. **Si vous devez utiliser un outil électrique dans un endroit humide, utilisez une alimentation protégée par un dispositif à courant différentiel résiduel (DDR).** L'utilisation d'un DDR réduit le risque de choc électrique.
- #### 3. Sécurité personnelle
- a. **Soyez vigilant, gardez bien ce que vous faites et faites preuve de bon sens lorsque vous utilisez l'outil électrique. N'utilisez pas d'outil électrique si vous êtes sous l'influence de drogues, d'alcool ou de médicaments.** Un instant d'inattention pendant l'utilisation d'outils électriques peut entraîner des blessures graves.
  - b. **Utilisez un équipement de protection individuel. Utilisez toujours une protection oculaire.** L'utilisation d'équipements de protection tels que les masques anti-poussière, les chaussures de sécurité antidérapantes, les casques de sécurité ou les protections auditives dans des conditions appropriées réduiront les risques de blessures corporelles.
  - c. **Évitez les démarrages intempestifs. Veillez à ce que l'interrupteur soit en position d'arrêt avant de brancher l'outil à une source d'alimentation et/ou une batterie, de ramasser l'outil ou de le transporter.**

Transporter les outils électriques avec le doigt sur l'interrupteur ou brancher les outils électriques avec l'interrupteur en position de marche peut entraîner des accidents.

- d. **Retirez toute clé à molette ou autre clé de réglage avant de mettre l'outil électrique en marche.** Laissez une clé à molette ou une clé sur une partie rotative de l'outil électrique peut engendrer des blessures corporelles.
  - e. **Ne vous penchez pas trop. Gardez en permanence une position stable et un bon équilibre.** Cela permet un meilleur contrôle de l'outil électrique dans des situations imprévues.
  - f. **Portez des vêtements appropriés. Ne portez pas de vêtements amples ou de bijoux. Tenez vos cheveux, vêtements et gants éloignés des pièces mobiles.** Les vêtements amples, les bijoux ou les cheveux longs peuvent être happés par les pièces mobiles.
  - g. **Si des dispositifs destinés au raccordement d'installations d'extraction et de recueil de la poussière sont fournis, assurez-vous qu'ils sont correctement raccordés et utilisés.** L'utilisation d'un collecteur de poussière peut réduire les dangers associés à la présence de poussières.
- 4. Utilisation et entretien d'un outil électrique**
- a. **Ne forcez pas l'outil électrique. Utilisez l'outil électrique adapté à votre travail.** L'outil adapté est plus efficace et moins dangereux s'il est utilisé à la vitesse pour laquelle il a été conçu.
  - b. **N'utilisez pas l'outil si l'interrupteur ne le met pas en position de marche et d'arrêt.** Tout outil qui ne peut être contrôlé par l'interrupteur est dangereux et doit être réparé.
  - c. **Débranchez la fiche de la source d'alimentation et/ou retirez le bloc de batterie de l'outil avant de procéder à tout réglage, de remplacer des accessoires ou de ranger les outils électriques.** Ces mesures de sécurité préventives réduisent le risque de démarrage accidentel de l'outil électrique.
  - d. **Conservez les outils électriques inutilisés hors de la portée des enfants et ne laissez pas des personnes non familiarisées avec l'outil ou ces instructions utiliser l'outil électrique.** Les outils électriques sont dangereux pour les utilisateurs inexpérimentés.
  - e. **Entretenez les outils électriques. Vérifiez la dérive d'alignement ou l'attache des pièces mobiles, la rupture des pièces et leur état peuvent affecter l'outil lors de l'utilisation. Si l'outil est endommagé, faites-le réparer avant de l'utiliser.** De nombreux accidents sont dus à des outils électriques mal entretenus.
  - f. **Maintenez les outils de coupe aiguisés et propres.** Les outils de coupe bien entretenus aux bords aiguisés sont moins susceptibles de se coincer et plus faciles à contrôler.
  - g. **Utilisez l'outil électrique, les accessoires et les fraises de l'outil, etc., conformément à ces instructions en prenant en compte les conditions de travail et la tâche à réaliser.** L'utilisation de l'outil électrique pour des opérations différentes de celles pour lesquelles il a été conçu peut entraîner une situation dangereuse.
- 5. Réparation**
- a. **Faites réparer votre outil électrique par un réparateur agréé utilisant uniquement les pièces de rechange identiques.** Cela permettra de garantir la sécurité de l'outil électrique.

## Avertissements de sécurité générale de l'outil



**Avertissement !** Avertissements de sécurité supplémentaires pour les scies

- a. **Gardez vos mains hors de portée de la zone de coupe et de la lame. Gardez votre deuxième main sur la poignée auxiliaire ou sur le bloc moteur.** Si les deux mains maintiennent la scie, elles ne peuvent pas être coupées par la lame.
- b. **Ne mettez pas vos mains sous la pièce à découper.** Au-dessous de la pièce à découper, le protège-lame ne peut pas vous protéger de la lame.

**c. Réglez une profondeur de coupe égale à l'épaisseur de la pièce à découper.**

Moins d'une dent de la lame ne devrait être visible en dessous de la pièce à découper.

**d. Ne tenez jamais la pièce à découper dans vos mains ou sur votre jambe. Fixez la pièce à découper sur une table stable.** Il est important de fixer correctement la pièce à découper pour minimiser l'exposition du corps et tout risque de grippage de la lame ou de perte de contrôle.

**e. Tenez l'outil électrique par les surfaces isolées lorsque vous effectuez une opération au cours de laquelle l'accessoire coupant peut entrer en contact avec des câbles cachés ou avec son propre câble d'alimentation.** Si les éléments de fixation entrent en contact avec un câble « sous tension », les pièces métalliques de l'outil électrique risquent de transmettre le courant et d'infliger un choc électrique à l'opérateur.

**f. Lors de la refente, utilisez toujours un guide de refente ou un guide parallèle droit.** Cela améliore la précision de la coupe et réduit les risques de grippage de la lame.

**g. Utilisez toujours des lames ayant des trous de montage de taille et de forme (losange versus rond) correspondantes à celles de l'arbre de montage.** Les lames qui ne correspondent pas à l'arbre de montage de la scie tourneront excentriquement, entraînant une perte de contrôle.

**h. N'utilisez jamais de rondelles ou d'écrous de lame endommagés ou incorrects.** Les rondelles et les écrous de lame ont été spécifiquement conçus pour votre scie afin d'en optimiser les performances et la sécurité de fonctionnement.

## Consignes de sécurité additionnelles pour toutes les scies

Causes de l'effet de rebond et prévention par l'opérateur :

- l'effet de rebond est une réaction soudaine d'une lame de scie pincée,

accrochée ou mal alignée, qui cause un saut vertical non contrôlé de la scie hors de la pièce découpée en direction de l'opérateur ;

- lorsque la lame est pincée ou accrochée par la fermeture du trait de scie, celle-ci se bloque et le moteur réagit en renvoyant rapidement l'appareil en arrière et en direction de l'opérateur ;
- si la lame devient tordue ou n'est plus alignée dans la coupe, les dents situées sur l'arête arrière de la lame peuvent mordre la surface du bois, entraînant la montée de la lame hors du trait de scie et un bond de celle-ci vers l'opérateur.

Le recul résulte d'un mauvais usage de la scie et/ou de l'inobservation des procédures d'utilisation et peut être évité en suivant les précautions appropriées indiquées ci-dessous.

- a. Saisissez fermement la scie avec les deux mains et placez vos bras de façon à pouvoir résister aux forces du rebond. Placez votre corps d'un côté ou de l'autre de la lame de la scie et non dans sa trajectoire.** Un effet de rebond peut provoquer un saut de la scie vers l'arrière, mais l'opérateur peut maîtriser les forces de rebond en prenant les mesures de précaution adéquates.
- b. Lorsque la lame se grippe ou lors de l'interruption d'une découpe pour toute raison, relâchez la détente et tenez la scie immobile dans le matériau jusqu'à ce que la lame s'immobilise complètement. N'essayez jamais de retirer la scie de la pièce ou de tirer la scie vers l'arrière pendant que la lame est en mouvement, pour éviter tout risque de rebond.** Recherchez et prenez les actions correctives nécessaires pour éliminer les causes du grippage de la lame.
- c. Lors du redémarrage d'une scie dans la pièce à découper, centrez la lame dans le trait de scie et vérifiez que les dents de scie ne sont pas engagées dans le matériau.** Si la lame de la scie est bloquée, elle pourrait se déplacer ou produire un rebond au redémarrage de la scie.



**d. Soutenez les grands panneaux pour minimiser les risques de pincement de lame et d'effet de rebond. Les grands panneaux à traiter ont tendance à fléchir sous leur propre poids.** Installez des pièces d'appui sous le panneau, des deux côtés, près de la ligne de coupe et du bord du panneau.

**e. N'utilisez pas de lames émoussées ou endommagées.** Des lames non aiguisées ou incorrectement placées produisent un trait de scie étroit et entraînent des frottements excessifs, des grippages de lame et des effets de rebonds.

**f. Les leviers de verrouillage de la profondeur et de l'inclinaison de la lame doivent être bien serrés avant d'effectuer une coupe.** Si les réglages de la lame changent pendant la découpe, celle-ci peut se gripper ou entraîner un effet de rebond.

**g. Faites particulièrement attention lors de la réalisation d'une « découpe en plongée » dans des murs existants ou d'autres zones sans visibilité.** La lame en saillie est susceptible de couper des objets pouvant causer des effets de rebonds.

#### Consignes de sécurité pour les scies circulaires avec protège-lame pendulaire extérieur ou intérieur et protège-lame escamotable

**a. Vérifiez, avant chaque utilisation, que le protège-lame inférieur se ferme bien. N'utilisez pas la scie si le protège-lame inférieur ne se déplace pas librement ou ne se ferme pas instantanément. Ne fixez ou n'attachez jamais le protège-lame inférieur en position ouverte.** Si la scie tombe accidentellement, le protège-lame inférieur pourrait se plier. Relevez le protège-lame inférieur à l'aide du levier de rétraction et assurez-vous qu'il se déplace librement et ne touche pas la lame ou aucune autre pièce, et ce, quelles que soient l'inclinaison et la profondeur de coupe.

**b. Vérifiez le fonctionnement du ressort du protège-lame inférieur. Si le protège-lame et le ressort ne**

**fonctionnent pas correctement, faites-les réparer avant toute utilisation.**

Le protège-lame inférieur peut fonctionner lentement à cause de pièces endommagées, de dépôts collants ou d'accumulation de débris.

**c. Le protège-lame inférieur ne doit être rétracté manuellement que pour des découpes spéciales telles que des « découpes en plongée » et des « découpes combinées ». Relevez le protège-lame inférieur avec le levier de rétraction et relâchez-le immédiatement une fois que la lame a mordu dans la pièce.** Pour tout autre type de sciage, le protège-lame inférieur doit être actionné automatiquement.

**d. Vérifiez toujours que le protège-lame inférieur recouvre la lame avant de poser la scie sur l'établi ou sur le sol.** Une lame non protégée et tournant toujours par inertie peut faire reculer la scie, en coupant tout ce qu'elle rencontre. Soyez conscient du temps qu'il faut à la lame pour s'arrêter après avoir relâché la détente.

#### Risques résiduels.

Les risques suivants sont inhérents à l'usage de scies :

- Les blessures provoquées par le contact avec des pièces rotatives.

Malgré l'application des instructions de sécurité en vigueur et la mise en œuvre de dispositifs de sécurité, certains risques résiduels ne peuvent être évités. Il s'agit de :

- Troubles de l'audition
- Risque d'accidents causés par les parties non couvertes de la lame de scie en rotation
- Risque de blessure lors du changement de la lame
- Risque de pincement des doigts lors de l'ouverture du protège-lame
- Risques pour la santé causés par l'inhalation des poussières qui se développent lors du sciage du bois, en particulier du chêne, du hêtre, ou du MDF.

## Lames de la scie

- N'utilisez pas de lames de diamètre plus petit ou plus grand que celui qui est recommandé. Pour savoir le type de lame à utiliser, consultez les données techniques. Utilisez uniquement les lames spécifiées dans ce manuel, en conformité avec la norme EN 847-1.

**Avvertissement !** N'utilisez jamais de disques abrasifs.

## Sécurité d'autrui

- Cet appareil n'est pas prévu pour être utilisé par des personnes (y compris les enfants) présentant des capacités physiques, sensorielles ou mentales réduites, ou manquant d'expérience et de connaissances, sans surveillance ou sans avoir reçu d'instructions concernant l'utilisation de l'appareil de la part d'une personne responsable de leur sécurité.
- Les enfants doivent être surveillés pour s'assurer qu'ils ne jouent pas avec l'appareil

## Étiquettes de l'outil

L'étiquette apposée sur votre outil peut afficher les symboles suivants :



Lisez le manuel d'instruction

Hz ..... Hertz  
W ..... Watts



..... Construction de classe II



Utilisez une protection oculaire

min ..... Minutes



..... Borne de terre  
..... Symbole d'alerte de sécurité



Utilisez une protection auditive

..... Courant alternatif



..... Courant continu  
..... /min. Tours ou mouvements alternatifs par minute

V ..... Volts

n<sub>0</sub> ..... Vitesse à vide

A ..... Ampères

## Liste des contenus

- Scie circulaire
- 18-Teeth blade with carbide tungsten tips
- une barre de coupure

## Position du code de la date

Le code de la date qui comporte également l'année de fabrication est imprimé sur le logement.

Exemple :

2017 XX JN  
Année de fabrication

## Sécurité électrique

Cet appareil dispose d'une double isolation ; par conséquent, aucun fil de terre n'est nécessaire. Vérifiez toujours que l'alimentation du secteur correspond à celle de la plaque signalétique.

- Si le cordon d'alimentation est abîmé, il doit être remplacé par le fabricant ou un centre de services agréé BLACK+DECKER afin d'éviter tout danger

## Fonctionnalités (page 2)

- Description fonctionnelle 1. Interrupteur MARCHE/ARRÊT
- Poignée principale
- Poignée secondaire
- Semelle
- Lame de scie
- Protège-lame inférieur de la lame de scie
- Levier de rétraction du protège-lame
- Bouton de réglage de l'inclinaison
- Rondelle de serrage de lame extérieure
- Écrou de fixation de lame
- Levier de réglage de profondeur
- Échelle de profondeur
- Échelle d'inclinaison
- Clé à six pans pour la lame de scie
- Bouton de verrouillage de la broche

## Assemblage et réglages

**Avvertissement :** Débranchez toujours l'alimentation de la scie avant l'une des opérations suivantes.

## Réglage de la profondeur de coupe (fig. E et F)

La profondeur de coupe doit être fixée en fonction de l'épaisseur de la pièce.

- Desserrez le levier (11) pour déverrouiller la semelle.
- Mettez la semelle (4) dans la position souhaitée (fig. E). La profondeur de coupe peut être lue sur l'échelle (12).
- Serrez le levier pour bloquer la semelle.

- Réglez la profondeur de coupe de la scie de telle sorte qu'une dent dépasse au-dessous de la pièce comme illustrée à la (fig. F).

### Réglage de l'inclinaison (fig. G)

L'inclinaison de cet outil peut être réglée entre 0° et 45°

- Desserrez le levier (8) pour déverrouiller la semelle.
- Mettez la semelle (4) dans la position souhaitée (fig. G). L'inclinaison correspondante peut être lue sur l'échelle (13).
- Serrez le bouton de verrouillage pour bloquer la semelle.

### Montage de la lame (fig. H)

- Maintenez le bouton de verrouillage de l'arbre (15) enfoncé et faites tourner la lame jusqu'à enclencher le verrouillage complètement.
- Desserrez et retirez les vis de fixation de lame (10) en tournant la clé à six pans (14) vers la gauche (fig. H).
- Retirez la rondelle extérieure (9).
- Placez la lame de scie (5) sur l'arbre, en veillant à ce que la flèche sur la lame pointe dans la même direction que la flèche sur la partie supérieure du protège-lame.
- Montez la rondelle extérieure sur l'arbre en appuyant la plus grande surface plate contre la lame.
- Insérez la vis de fixation de la lame dans le trou à cet effet dans l'arbre.
- Serrez bien la vis de fixation de la lame en tournant la clé à six pans vers la droite pour serrer la vis de fixation de la lame.

### Démontage de la lame

- Desserrez et retirez la vis de fixation de la lame (10) en tournant la clé à six pans (14) vers la gauche.
- Retirez la rondelle extérieure (9).
- Retirez la lame de scie (5).

**Note :** Pour réduire le risque de blessures

graves, lisez, comprenez et observez tous les avertissements et toutes les instructions de sécurité importantes avant toute utilisation de l'outil.

**Avertissement :** Pour réduire le risque de blessures graves, lisez, comprenez et observez tous les avertissements et toutes les instructions de sécurité importantes avant toute utilisation de l'outil.

### Découpes générales

**(Important : lisez les avertissements et les consignes de sécurité.)**

#### Protection contre les rebonds

Avant de brancher l'outil, observez toutes les consignes d'assemblage, de réglage et de configuration. Assurez-vous que le protège-lame inférieur fonctionne. Sélectionnez la bonne lame pour le matériau à découper.

- Mesurez et marquez la découpe à faire.
- Soutenez et fixez correctement la pièce à découper (voir les règles et consignes de sécurité).
- Utilisez l'équipement de sécurité requis et approprié (voir les règles de sécurité).
- Sécurisez l'aire de travail et maintenez-le dans cet état (voir les règles de sécurité).
- Branchez la scie sur le secteur et fermez le protège-lame, puis assurez-vous que l'interrupteur démarre et arrête la scie.

**Avertissement :** Pour éviter toute blessure corporelle, veillez à soutenir correctement la pièce et à tenir fermement la scie pour éviter toute perte de maîtrise de l'outil. La (fig. C) illustre la position recommandée des mains.

### Fonctionnement

#### Interrupteur

- Pour mettre l'outil en marche, appuyez sur la détente (1). L'outil va continuer à fonctionner aussi longtemps que la détente est enfoncée.
- Pour arrêter l'outil, relâchez la détente (1). L'outil ne possède aucun dispositif de verrouillage de la détente et celle-ci ne devrait jamais être bloquée par d'autres moyens.

## Sciage

**Avvertissement :** Pour réduire le risque de blessure, tenez toujours l'outil des deux mains.

- Après avoir démarré l'outil, attendez quelques secondes jusqu'à ce que la lame tourne à pleine vitesse.
- N'appliquez qu'une pression légère sur l'outil durant la découpe.
- Gardez toujours la surface inférieure de la semelle en contact avec la pièce.

## Conseils pour une utilisation optimale

- Pour réduire les éclats sur la surface finie de la pièce, découpez-la en mettant la surface finie sur le dessous.
- Pour réduire les éclats sur les surfaces finies qui ne peuvent pas être placées sur le dessous, comme lors de la coupe de laminés, placez un morceau de contreplaqué sacrificiel sur la surface finie et coupez les deux matériaux.

## Refente

Des guides de refente accessoires sont disponibles pour cette scie circulaire. La refente consiste à découper dans le sens du grain du matériau des pièces larges en bandes plus étroites. Utilisez un guide de refente accessoire ou attachez un bord droit qui servira de guide sur la pièce lorsque vous faites des coupes longitudinales.

## Découpe en plongée (fig. J)

**Avvertissement :** N'attachez jamais le protège-lame en position relevée. Ne déplacez jamais la scie en arrière lors d'une découpe en plongée. La scie pourrait alors se soulever hors de la surface de travail et causer des blessures. Une découpe en plongée est une découpe faite dans un plancher, un mur ou toute autre surface plane.

- Ajustez la semelle (4) de sorte que la lame coupe à la profondeur désirée.
- Inclinez la scie vers l'avant et reposez l'avant de la semelle sur la pièce à découper.
- À l'aide du levier de rétraction (7), montez le protège-lame vers le haut.

Descendez l'arrière de la semelle jusqu'à ce que les dents de la lame (5) touchent presque la ligne de coupe.

- Relâchez le protège-lame (il sera alors en contact avec la pièce et pourra s'ouvrir librement dès que vous commencerez la coupe). Lâchez le levier du protège-lame et saisissez fermement la poignée secondaire (3), comme illustré à la fig. J. Placez votre corps et votre bras de façon à résister à tout rebond pouvant se produire.
- Assurez-vous que la lame n'est pas en contact avec la surface de coupe avant de démarrer la scie.
- Démarrez le moteur et plongez graduellement la scie jusqu'à ce que la semelle repose à plat sur la pièce à couper. Déplacez la scie vers l'avant le long de la ligne de coupe sur la distance de coupe désirée.
- Relâchez la détente et attendez l'arrêt complet de la lame avant de retirer la lame de la pièce.
- Répétez les mêmes actions ci-dessus pour chaque nouvelle coupe en plongée.

## Rangement des clés à molette

La clé hexagonale (14) peut être rangée sur une corde protectrice comme indiqué sur la figure 14

## Entretien

Votre appareil/outil électrique BLACK+DECKER a été conçu pour fonctionner pendant une longue période avec un minimum d'entretien. Un fonctionnement continu satisfaisant de l'outil dépend d'un entretien soigneux et régulier.

**Avvertissement !** Avant d'effectuer des tâches d'entretien sur un outil électrique avec ou sans cordon :

- Éteignez l'appareil/outil et débranchez-le.
- Ou éteignez-le et retirez la batterie de l'appareil/outil si l'appareil/outil dispose d'une batterie séparée.
- Ou déchargez la batterie complètement si elle ne peut être démontée, puis éteignez l'appareil/outil.

- Débranchez le chargeur avant de le nettoyer. Votre chargeur n'exige aucun entretien en dehors d'un nettoyage régulier.
- Nettoyez régulièrement les fentes d'aération de votre appareil/outil et du chargeur à l'aide d'une brosse douce ou un chiffon sec.
- Nettoyez régulièrement le boîtier du moteur à l'aide d'un chiffon humide. N'utilisez pas de nettoyeurs abrasifs ou à base de solvants.
- Ouvrez régulièrement le mandrin et tapotez-le pour nettoyer toute poussière à l'intérieur (lorsqu'il est utilisé).

## Protection de l'environnement



Collecte séparée. Ce produit ne doit pas être mis au rebut avec les ordures ménagères normales.

Si vous décidez de remplacer ce produit BLACK+DECKER, ou si vous n'en avez plus l'utilité, ne le jetez pas avec vos déchets domestiques. Mettez-le dans un point de collecte séparée approprié.



Le tri sélectif de produits usés et d'emballages permet de recycler les matériaux et de les réutiliser. La réutilisation des matériaux recyclés aide à prévenir la pollution de l'environnement et à réduire la demande de matières premières.

Des réglementations locales pourront s'appliquer au tri sélectif de produits électriques ménagers, imposées par les sites d'élimination municipaux ou le revendeur lors de l'achat d'un nouveau produit.

BLACK+DECKER met à disposition un centre de collecte et de recyclage pour les produits BLACK+DECKER ayant atteint la fin de leur durée de service. Pour profiter de ce service, veuillez retourner votre outil à un agent de service agréé qui se chargera de la collecte.

Vous pouvez trouver l'agent de service agréé le plus proche en contactant votre agence BLACK+DECKER locale à l'adresse indiquée dans ce manuel. Autrement, une liste d'agents de réparation agréés BLACK+DECKER et des informations complètes concernant notre service après-vente, y compris les coordonnées,

sont disponibles en ligne à l'adresse suivante : [www.2helpU.com](http://www.2helpU.com).

## Spécifications

<b>CS1004</b>		
Puissance	W	1400
Diamètre du disque	V	220-240
Tension	Hz	50/60
Vitesse à vide	/min	5300
Cordon	m	2
Poids	kg	3.6
Protège-lame supérieur		Aluminium
Protège-lame inférieur		Aluminium
Inclinaison		45°
Profondeur maximale	mm	62
Diamètre de lame	mm	185
Alésage de lame	mm	20
Largeur de pointe de lame	mm	1.8

## Garantie

BLACK+DECKER est convaincu de la qualité de ses produits et offre une garantie exceptionnelle. Cette déclaration de garantie s'ajoute et ne porte aucunement préjudice à vos droits statutaires.

Si un produit BLACK+DECKER se révèle défectueux en raison de défauts de matériaux ou de fabrication, ou d'un manque de conformité, dans les 24 mois à compter de la date d'achat, la garantie de BLACK+DECKER permet le remplacement de pièces défectueuses, la réparation ou l'échange de produits soumis à une usure normale afin de garantir un minimum d'inconvénients pour le client, sauf si :

- le produit a été utilisé à des fins commerciales, professionnelles ou de location ;
- le produit a été utilisé de manière inadéquate ou avec négligence ;
- le produit a subi des dommages provoqués par des objets, substances ou accidents étrangers ;
- des tentatives de réparation ont été effectuées par des personnes autres que les agents de service agréés ou le personnel d'entretien de BLACK+DECKER.

Pour réclamer la garantie, vous devrez présenter une preuve d'achat au vendeur ou à un agent de réparation agréé. Vous pouvez trouver l'agent de service agréé le plus proche en contactant votre agence BLACK+DECKER locale à l'adresse indiquée dans ce manuel. Autrement, une liste d'agents de réparation agréés BLACK+DECKER et des informations complètes concernant notre service après-vente, y compris les coordonnées, sont disponibles en ligne à l'adresse suivante : [www.2helpU.com](http://www.2helpU.com).

<b>DÉPANNAGE</b>		
<b>PROBLÈME</b>	<b>CAUSE POSSIBLE</b>	<b>SOLUTION POSSIBLE</b>
L'appareil ne démarre pas	Le cordon n'est pas branché	Brancher la fiche de l'outil dans une prise murale qui fonctionne.
	Le fusible du circuit d'alimentation est grillé	Remplacer le fusible. (Si le produit fait griller le fusible à plusieurs reprises, cesser l'utilisation immédiatement et faire réparer le produit dans un centre de services BLACK+DECKER ou par un réparateur agréé.)
	Le disjoncteur saute	Réactiver le disjoncteur. (Si le produit fait sauter le disjoncteur à plusieurs reprises, cesser l'utilisation immédiatement et faire réparer le produit dans un centre de services BLACK+DECKER ou par un réparateur agréé.)
	Le cordon ou l'interrupteur est endommagé	Faire changer le cordon ou l'interrupteur dans un centre de services BLACK+DECKER ou un réparateur agréé.



## اكتشاف المشكلات وحلها

المشكلة	الأسباب المحتملة	الحل المحتمل
لا تبدأ الأداة في العمل	السلك غير موصل بالتيار	أوصل الأداة بمخرج التيار
	منصهر الدائرة الكهربائية محترق	استبدال منصهر الدائرة. (إذا تسبب المنتج في احتراق منصهر الدائرة الكهربائية بصورة متكررة، أوقف الاستخدام فوراً واطلب المساعدة من مركز خدمة BLACK+DECKER أو مركز خدمة معتمد)
	قاطع الدائرة متعثر	أعد ضبط قاطع الدائرة. (إذا تسبب المنتج في تعثر قاطع الدائرة الكهربائية بصورة متكررة، أوقف الاستخدام فوراً واطلب المساعدة من مركز خدمة BLACK+DECKER أو مركز خدمة معتمد)
	تلف السلك أو المفتاح	استبدل السلك أو المفتاح في مركز خدمة BLACK+DECKER أو مركز خدمة معتمد.

## الضمان

تثق BLACK+DECKER بجودة منتجاتها وتقدم ضماناً مميزاً. ويكون بيان الضمان هذا بالإضافة ولا يخل بأي حال من الأحوال بالحقوق القانونية.

إذا أصبح منتج BLACK+DECKER معيباً بسبب عيوب المواد والصناعة وعدم المطابقة، تضمن BLACK+DECKER في غضون 24 شهراً من تاريخ الشراء استبدال الأجزاء المعيبة وإصلاح المنتجات مع مراعاة البلي بالاستخدام العادي أو استبدال هذه المنتجات للتأكد من رضا العملاء ما لم:

- تم استخدام المنتج لأغراض تجارية أو مهنية أو للتأجير.
- إهمال أو إساءة استخدام المنتج.
- تعرض المنتج لتلف بسبب مواد أو أغراض غريبة أو الحوادث.
- محاولة إجراء عمليات الإصلاح من قبل الأشخاص الآخرين بخلاف وكلاء الإصلاح المصرح بهم أو فريق الخدمة التابع لـ BLACK+DECKER.
- للمطالبة بالضمان، يجب تقديم إثبات الشراء للبائع أو وكيل البيع المعتمد. ويمكنك معرفة مكان أقرب وكيل إصلاح معتمد بمراجعة مكتب BLACK+DECKER المحلي في العنوان المشار إليه في الدليل. كما تتوفر قائمة بوكلاء الإصلاح المعتمدين لدى BLACK+DECKER وبيانات خدمات ما بعد البيع والاتصال على الموقع الإلكتروني: [www.2helpU.com](http://www.2helpU.com).



يمكن التجميع المنفصل للمنتجات والعبوات المستخدمة من إعادة تدوير المواد واستخدامها مرة أخرى، إذ يساعد إعادة استخدام المواد المعاد تدويرها على منع التلوث البيئي وخفض الطلب على المواد الخام

قد تنص التشريعات المحلية على تجميع منفصل

للمنتجات الكهربائية عن المخلفات المنزلية في مواقع مخلفات البلدية أو تاجر التجزئة عند شراء منتج جديد.

توفر BLACK+DECKER منشأة لتجميع وإعادة تدوير منتجات BLACK+DECKER عند وصول تلك المنتجات لنهاية عمرها النافع. وللاستفادة من هذه الخدمة، يرجى إعادة المنتج إلى أي وكيل إصلاح معتمد الذي سيقوم بتجميع المنتجات نيابة عنا.

يمكنك معرفة مكان أقرب وكيل إصلاح معتمد بمراجعة مكتب BLACK+DECKER المحلي في العنوان المشار إليه في الدليل. كما تتوفر قائمة بوكلاء الإصلاح المعتمدين لدى BLACK+DECKER وبيانات خدمات ما بعد البيع والاتصال على الموقع الإلكتروني: [www.2helpU.com](http://www.2helpU.com)

## المواصفات

CS1004	
القدرة	1400 وات
الجهد الكهربائي	220-240
التردد	50/60 هرتز
سرعة بدون تحميل	5300 دقيقة /
كابل	2 متر
الوزن	3.6 كجم
الغطاء الواقي العلوي	ألومنيوم
الغطاء الواقي السفلي	ألومنيوم
زاوية الشطب	45°
أقصى عمق	62 ملم
قطر الشفرة	185 ملم
تجويف الشفرة	20 ملم
عرض طرف الشفرة	1.8 ملم

• عند البدء في قطع جديد، كرر على النحو الوارد أعلاه.

## مخزن مفاتيح لفك البراغي

يمكن تخزين المفتاح لفك البراغي على الحبل الواقي كما هو موضح في الشكل 14

## الصيانة

تم تصميم جهاز/أداة BLACK+DECKER السلكية/اللاسلكية لكي تعمل لفترة طويلة بأقل قدر من الحاجة للصيانة. ويعتمد استمرار الجهاز في أداء عمله على النحو المرضي على العناية المناسبة والتنظيف المنتظم.

تحذير! عليك القيام بما يلي قبل إجراء أي صيانة على الأجهزة السلكية / اللاسلكية:

- أوقف التشغيل وافصل الجهاز/الأداة عن الكهرباء.
- أو أوقف التشغيل وأزل البطاريات من الجهاز/الأداة إذا كان يحتوي على علبه بطاريات منفصلة.
- أو استخدم الجهاز حتى تفرغ البطارية تمامًا إن كانت مدمجة، ثم أوقف التشغيل.
- افصل الشاحن عن التيار الكهربائي قبل تنظيفه. لا يتطلب شاحنك أية صيانة سوى التنظيف المنتظم.
- قم بتنظيف منافذ التهوية بانتظام في أداتك باستخدام فرشاة ناعمة أو قطعة قماش جافة.
- نظف مبيت المحرك بانتظام بقطعة قماش مبللة. لا تستخدم المنظفات الكاشطة أو المذيبة.
- احرص على فتح الظرف بانتظام وانفضه جيدًا لتنظيفه من الغبار العالق به من الداخل.

## حماية البيئة

تجميع منفصل. يجب عدم إلقاء هذا المنتج مع المخلفات المنزلية.



إذا تبين لك في أحد الأيام بأنه يجب تبديل جهاز BLACK+DECKER الخاص بك أو لم تعد بحاجة لاستخدامه. لا تتخلص منه مع المخلفات المنزلية. وقم بتوفير هذا المنتج للتجميع المنفصل.

- لتشغيل الأداة، اضغط على زناد التشغيل (1). ستستمر الأداة في العمل طالما يتم الضغط على الزناد.
- لإيقاف تشغيل الأداة، حرر زناد التشغيل (1). لا تتوفر خاصية تثبيت التشغيل، ولا ينبغي تثبيت تشغيل المفتاح بأي وسيلة أخرى.

### عمليات القطع

- تحذير: لتقليل مخاطر الإصابة الشخصية الجسيمة، امسك دائماً الأداة بكلتا يديك.
- بعد تشغيل الأداة، اترك الشفرة تصل لسرعتها القصوة قبل البدء في القطع.
- اضغط ضغطاً خفيفاً على الأداة عند القيام بالقطع.
- ابق السطح السفلي للقرصة ملامساً دائماً لقطعة العمل بشكل كامل.

### تلميحات لاستخدام أمثل

- لتقليل التشطي في السطح النهائي لقطعة العمل، اقطع الخامة مع وضع السطح النهائي على جانبه السفلي.
- لتقليل التشطي في السطح النهائي عند عدم إمكان وضع السطح النهائي على جانبه السفلي، عند قطع الشرائح، ثبت بإحكام قطعة من خشب الأبلكاش لست بحاجة إليها على السطح النهائي واقطع خلال القطعتين.

### الشق الطولي

- يتوفر ملحق دليل المشغولات لهذا المنشار الدائري. يُعد الشق الطولي هو عملية قطع خامة عريضة إلى أشرطة ضيقة، بواسطة قطع المادة في اتجاه تعريق الخشب.
- استخدم ملحق دليل مشغولات أو ثبت حافة مستقيمة على المادة للعمل كدليل عند عمل الشق الطولي.

### قطع التجويف (الشكل ي)

- تحذير: لا تربط مطلقاً الغطاء الواقي للشفرة في وضع مرتفع. لا تحرك المنشار أبداً إلى الوراء أثناء قطع التجويف.
- وربما يؤدي هذا إلى ارتفاع الوحدة عن سطح العمل مما يمكن أن يسبب إصابة. يتم عمل قطع التجويف في الأرضية أو الحائط أو أي سطح مستوي آخر.

### إزالة الشفرة

- أرخي ثم أزل مسمار احتجاز الشفرة (10) بواسطة تدويره عكس عقارب الساعة باستخدام المفتاح السداسي (14).
- أزل الحلقة الخارجية (9).
- أزل شفرة المنشار (5).

ملحوظة: لتقليل خطر الإصابة الشخصية الجسيمة، اقرأ وافهم واتبع كل تحذيرات السلامة المهمة والتعليمات قبل استخدام الأداة.

تحذير: لتقليل خطر الإصابة الشخصية الجسيمة، اقرأ وافهم واتبع كل تحذيرات السلامة المهمة والتعليمات قبل استخدام الأداة.

### القطع العام

### (مهم: اقرأ تحذيرات وتعليمات الأمان.)

#### غطاء واقٍ ضد الارتداد

مع فصل الأداة من التيار، اتبع كل تعليمات التجمع والضبط والإعداد. تأكد من عمل الغطاء الواقي السفلي. اختار الشفرة المناسبة للخامة المراد قطعها.

- قم بالقياس وضع علامة على العمل بهدف القطع.
- أسند وأمن العمل بصورة صحيحة (انظر قواعد وتعليمات السلامة).
- استخدم أدوات السلامة المناسبة واللازمة (انظر قواعد السلامة).
- آمن وقم بصيانة بمنطقة العمل (انظر قواعد السلامة).
- مع إدخال القابس وغلغ الغطاء الواقي، تأكد أن المفتاح يقوم بتشغيل وإيقاف المنشار.

تحذير: من المهم اسناد العمل بطريقة سليمة وامسك المنشار بقوة لتفادي فقدان التحكم الذي يمكن أن يسبب إصابة شخصية. يوضح (الشكل ج) وضع اليد الموصى به.

### التشغيل

### المفتاح

## السلامة من مخاطر الكهرباء



هذا الجهاز معزول عزلاً مزدوجاً، وبالتالي لا حاجة إلى توصيل سلك أرضي. تحقق دائماً من أن جهد مزود الطاقة يتناسب مع الجهد المحدد على لوحة التصنيف.

- في حالة تلف سلك الكهرباء، يجب استبداله من قبل المصنع أو أي مركز خدمة معتمد من BLACK+DECKER لتجنب المخاطر.

## الخصائص (صفحة 2)

1. الوصف الوظيفي 1. مفتاح التشغيل/الإيقاف
2. المقبض الرئيسي
3. مقبض ثانوي
4. قرصة
5. شفرة المنشار
6. غطاء واقٍ سفلي لشفرة المنشار
7. رافعة سحب الغطاء الوقائي السفلي
8. مقبض ضبط الشطب
9. حلقة ربط خارجية للشفرة
10. مسمار احتجاز الشفرة
11. رافعة ضبط العمق
12. مقياس العمق
13. مقياس زاوية الشطب
14. مفتاح سداسي لشفرة المنشار
15. زر قفل عمود الدوران

## إعداد التجميع والضبط

تحذير: افصل دائماً المنشار عن مزود الطاقة قبل القيام بأي من العمليات التالية.

## ضبط عمق القطع (الشكل هـ، و)

يجب أن يُحدد عمق القطع حسب سمك قطعة العمل.

- أرخي الرافعة (11) لفتح قرصة المنشار.

- حرك قرصة المنشار (4) إلى الوضع المرغوب (الشكل هـ). يمكن قراءة عمق القطع المناسب من على المقياس (12).

- احكم غلق الرافعة لقفل قرصة المنشار في مكانها.
- اضبط ضبط عمق المنشار بحيث تبرز سنة الشفرة أسفل قطعة العمل كما هو موضح في (الشكل و).

## ضبط زاوية الشطب (الشكل ز)

يمكن ضبط هذه الأداة على زوايا ضبط بين  $0^\circ$  و  $45^\circ$

- أرخي مقبض القفل (8) لفتح قرصة المنشار.
- حرك قرصة المنشار (4) إلى الوضع المرغوب (الشكل ز). يمكن قراءة عمق القطع المناسب من على المقياس (13).

- احكم غلق مقبض القفل لغلغ قرصة المنشار في مكانها.

## تثبيت الشفرة (الشكل ح)

- استمر في الضغط على زر قفل عمود الدوران (15) وقم بتدوير الشفرة حتى يتم تعشيق قفل عمود الدوران.
- أرخي ثم أزل مسمار احتجاز الشفرة (10) بواسطة تدوير المفتاح السداسي (14) عكس عقارب الساعة (الشكل ح).
- أزل الحلقة الخارجية (9).
- ضع شفرة المنشار (5) في محور عمود الدوران، مع التأكد أن السهم الموجود على الشفرة يشير إلى نفس اتجاه السهم الموجود على الغطاء الواقئي العلوي للأداة.

- ركب الحلقة الخارجية على عمود الدوران مع وضع سطحها الأملس الكبير على الشفرة.

- أدخل مسمار احتجاز الشفرة في الفتحة في عمود الدوران.

- أحكم ربط مسمار احتجاز الشفرة بواسطة تدوير المفتاح السداسي في اتجاه عقارب الساعة لإحكام ربط مسمار احتجاز الشفرة.

عزل مزدوج من الفئة 2		هرتز	..... Hz	اقرأ دليل التعليمات	
طرف أرضي		واط	..... W	استخدم واقفي العين	
رمز تنبيه الأمان		دقيقة تيار متردد	..... min	استخدام واقفي الأذن	
عدد الدورات أو الترددات في الدقيقة	.../min..	تيار مستمر	..... min	فولط	V
				مبير	A
				السرعة	N <sub>0</sub>
				بدون حمل	

## المخاطر المتبقية.

المخاطر التالية ملازمة لاستخدام المناشير:

- إصابات تنشأ جراء ملامسة الأجزاء الدوارة.
- حتى مع سريان تعليمات السلامة وتطبيق تجهيزات السلامة فهناك بعض المخاطر الأخرى التي لا يمكن تجنب وقوعها. وهي:
- تضرر السمع.
- مخاطر الحوادث الناجمة عن طريق الأجزاء المكشوفة لشفرة المنشار الدوارة.
- مخاطر الإصابة عند تغيير الشفرة.

- مخاطر الضغط على الأصابع عند فتح الغطاء الواقي.
- المخاطر الصحية الناجمة عن استنشاق الغبار المتكون عند نشر الخشب، بالذات البلوط والزان والخشب المضغوط MDF.

## شفرات المنشار

- لا تستخدم شفرات ذات قطر أكبر أو أصغر من الموصى بها. ارجع إلى البيانات التقنية لمعرفة تصنيف الشفرة المناسبة. استخدم الشفرات المحددة في الدليل فقط، والمتوافقة مع EN 847-1.
- تحذير! لا تستخدم عجلات جلع مطقًا.

## سلامة الآخرين

- هذا الجهاز غير مصمم ليستخدمه الأشخاص ذوو القدرات الجسدية والحسية والعقلية المتدنية والخبرة والمعرفة القليلتين (بما في ذلك الأطفال)، إلا في ظل الإشراف عليهم أو إعطائهم التعليمات المتعلقة باستخدام الجهاز من قبل الشخص المسؤول عن سلامتهم.
- يجب الإشراف على الأطفال لضمان عدم عبثهم بالجهاز.

## الملصقات الموجودة على الأداة

الملصقة الموجودة على الأداة يمكن أن تكون مشتملة على الرموز الآتية

## قائمة المحتوي

- 1 منشار دائري
- 1 شفرة 18 الأسنان مع نصائح كربيد التنغستن
- 1 سياج التمزق

## مكان الرمز الشريطي الخاص بالتاريخ

يوجد كود التاريخ، والذي يحتوي على سنة الصنع، مطبوعاً على العلبة.  
مثال:

XX JN 2017

سنة الصنع

- اضبط القرصة (4) لتقطع الشفرة على العمق المطلوب.
- أمل المنشار للأمام وأسند القرصة على خامة لقطعها.
- استخدم رافعة السحب (7)، لسحب الغطاء الواقي للشفرة إلى وضع أعلى. اخفض مؤخرة القرصة (5) حتى تكاد أسنان الشفرة أن تلامس خط القطع.
- حرر الغطاء الواقي للشفرة (سوف يستمر متصلاً بالعمل حتى يُفتح بحرية عند بدء القطع). أبعاد يدك عن رافع الغطاء الواقي وأمسك بالمقبض الثانوي (3)، كما هو موضح في الشكل ي. اعدل وضع جسمك وذراعك بحيث يسمح لك بمقاومة الارتداد في حال حدوثه.
- تأكد من ان الشفرة لا تلامس سطح القطع قبل بدء النشر.
- شغل المحرك وخفض المنشار تدريجياً حتى تُسند القرصة بشكل مسطح على الخامة التي ستقطع. ادفع المنشار بطول خط القطع حتى يُكتمل القطع.
- حرر الزناد وارك الشفرة تتوقف تماماً قبل سحب الشفرة عن الخامة.

## تعليمات سلامة إضافية لكل المناشير

أسباب الارتداد وحماية المشغل منها:

- من حافة القاعدة.
- e. لا تستخدم شفرة تالفة أو ثالمة. تُحدث الشفرات غير الحادة والغير ملائمة شقوقاً ضيقة مما يسبب احتكاكاً مفرطاً وتكبيلاً للشفرة وارتداداً.
- f. يجب أن يكون مقبضاً قفل ضبط العمق والشطب للشفرة محكماً الغلق وأممين قبل القطع. إذا تغير ضبط الشفرة أثناء القطع، فربما يحدث تكبيل أو ارتداد.
- g. توخى مزيداً من الحذر عند النشر في جدران قائمة أو أماكن أخرى غير نافذة. يمكن أن تسبب الشفرة البارزة في قطع الأشياء في حدوث الارتداد.

تعليمات السلامة للمناشير الدائرية ذات  
الواقى البندولي الداخلي أو الخارجي وذات  
الواقى القابل للسحب

- a. تحقق أن الغطاء الواقى السفلي مغلق بطريقة سليمة قبل كل استخدام. لا تشغيل المنشار إذا كان الغطاء الواقى السفلي لا يتحرك بحرية أو يغلق على الفور. لا تشبك أو تربط الغطاء الواقى السفلي على الوضع المفتوح. إذا سقط المنشار سهواً، فربما يحدث التواء في الغطاء الواقى السفلي. ارفع الغطاء الواقى السفلي بواسطة مقبض السحب وتأكد أنه يتحرك بحرية ولا يلامس الشفرة أو أي جزء آخر، في جميع الزوايا وفي عمق القطع.
- b. افحص تشغيل زنبرك الغطاء الواقى السفلي. إذا لم يكن يعمل كل من الغطاء الواقى والزنبرك بشكل سليم، فيجب أن يتم اصلاحهما قبل الاستخدام. يمكن أن يعمل الغطاء الواقى السفلي ببطء بسبب وجود أجزاء تالفة أو رواسب صمغية أو تراكم المخلفات.
- c. يمكن أن يُسحب الغطاء الواقى السفلي يدوياً فقط في حالات القطع الخاصة مثل "القطع الغائر" و"القطع المركب". ارفع الغطاء الواقى السفلي بواسطة مقبض السحب حال دخول الشفرة في الخامة، ويجب تحرير الغطاء الواقى السفلي. لعمليات النشر الأخرى، ينبغي أن يعمل الغطاء الواقى السفلي أوتوماتيكياً.
- d. تحقق دائماً أن الغطاء الواقى السفلي يغطي الشفرة قبل وضع المنشار على الطاولة أو على الأرض. سوف تسبب الشفرة المنزلقة الغير محمية في سير المنشار للوراء، قاطعاً أي شيء في مساره. انتبه إلى الوقت الذي تستغرقه الشفرة حتى تتوقف بعد تحرير زر التشغيل.

الارتداد هو رد فعل مفاجئ ناتج عن شفرة منشار محشورة أو مكبلية أو منحرفة، يؤدي إلى ارتفاع المنشار الغير متحكم فيه لأعلى وبعيداً عن قطعة العمل باتجاه المشغل؛

عندما تنحسر أو تُكبل الشفرة في الشق، تتوقف الشفرة فجأة ويسبب رد فعل المحرك اندفاع الجهاز بسرعة نحو المشغل؛

إذا لتويت الشفرة أو انحرقت أثناء القطع، فيمكن أن تتعمق أسنان الحافة الخلفية للشفرة في السطح العلوي للخشب مسببة ارتفاع الشفرة عن الشق والقفز للوراء تجاه المشغل.

الارتداد هو نتيجة لسوء استعمال المنشار و/أو عمليات التشغيل غير الصحيحة أو الظروف غير المواتية ويمكن تجنبها عبر اتباع الاحتياطات المناسبة على النحو المبين أدناه.

a. احتفظ بيديك قابضتين بحزم على المنشار و ثبت ذراعيك لمقاومة قوة الارتداد. ثبت جسمك على أحد جانبي الشفرة، وليس في مواجهة الشفرة. يمكن أن يتسبب الارتداد في قفز المنشار إلى الخلف، ولكن يمكن للمشغل التحكم في قوة الارتداد، إذا اتخذ الاحتياطات المناسبة.

b. في حالة تكبيل العجلة أو توقف القطع لأي سبب من الأسباب، فحرر الزناد و اترك المنشار بلا حركة في خامة العمل حتى تتوقف الشفرة تماماً عن الحركة. لا تحاول مطلقاً إزالة المنشار من منطقة العمل أو سحبه للخلف أثناء حركة الشفرة حتى لا يحدث ارتداد. قم بالبحث واتخاذ الإجراءات التصحيحية للقضاء على أسباب تكبيل الشفرة.

c. عند إعادة تشغيل المنشار في قطعة العمل، ضع شفرة المنشار في منتصف الشق وتحقق من أن أسنان المنشار ليست مقيدة في خامة العمل. إذا كانت الشفرة مكبلية، فيمكن أن تنجّه لأعلى أو ترتد عن قطعة العمل عند إعادة تشغيل المنشار.

d. دعم العمل بالأواح كبيرة وذلك لتقليل خطر تكبيل الشفرة أو ارتدادها. تميل الأواح الكبيرة للارتداء بسبب تأثير وزنها. ينبغي وضع ألواح التدعيم تحت كلا جانبي القاعدة، بالقرب من خط القطع وبالقرب



الأداة الكهربائية لتنفيذ العمليات في الأغراض غير المخصصة يمكن أن يتسبب في التعرض لمواقف خطيرة.

## 5. الخدمة

a. احرص على أن يقوم فني متخصص بإصلاح الأداة الكهربائية الخاصة بك وباستخدام قطع الغيار المتطابقة فقط. وذلك يضمن سلامة صيانة الأداة الكهربائية.

## تحذيرات السلامة الإضافية للأداة الكهربائية

تحذير! تحذيرات السلامة الإضافية للمناشير



a. ابق يديك بعيداً عن منطقة القطع والشفرة. ابق يدك الأخرى على المقبض الإضافي، أو على مبيت المحرك. إذا كانت كلتا اليدين تمسكان بالمنشار، فلا يوجد إمكانية لجرحهما من قبل الشفرة.

b. لا تصل إلى أسفل قطعة العمل. لا يتمكن الغطاء الواقي من حمايتك من الشفرة أسفل قطعة العمل.

c. اضبط عمق القطع حسب سمك قطعة العمل. يجب أن يكون جل سن الشفرة مرئياً تحت قطعة العمل.

d. لا تمسك بالقطعة في يديك أو بين ساقيك أثناء قطعها مطلقاً. آمن قطعة العمل على منصة ثابتة. من المهم إسناد العمل بصورة صحيحة لتقليل تعرض الجسم للمخاطر وتكبيل الشفرة وفقدان التحكم.

e. احمل الأداة الكهربائية على أسطح قابضة معزولة عند تنفيذ عملية يُحتمل فيها ملامسة أداة القطع للأسلاك المخفية أو لكابلات الأداة ذاتها. يؤدي ملامسة سلك "حي" إلى جعل الأجزاء المعدنية المكشوفة للأداة "طرف حي" مما يعرض المشغل لصدمة كهربائية.

f. عند القطع، استخدم دائماً دليل المشغولات أو مسطرة تقويم. فهذا يحسن من دقة القطع ويقلل من فرص تكبيل الشفرة.

g. احرص دائماً على استخدام الشفرات ذات الحجم والشكل الصحيحين (على هيئة معين وليس شكلاً مستديراً). سوف تنحرف الشفرات التي لا تتطابق مع المعدات المركبة في المنشار عن مركزها، مسببة فقدان التحكم.

h. لا تستخدم مطلقاً حلقات شفرات أو براغي تالفة أو غير مناسبة. لقد صُممت حلقات الشفرات والبراغي خصيصاً لمشاركتك، من أجل الأداء الأمثل وسلامة التشغيل.

f. ارتد زياً مناسباً. لا ترتدي الملابس الفضفاضة أو الحلى. احرص على إبقاء شعرك وملابسك وقفازاتك بعيداً عن الأجزاء المتحركة. فقد تعلق الملابس الفضفاضة أو المجوهرات أو الشعر الطويل في الأجزاء المتحركة.

g. إذا كانت الأجزاء معدة للتوصيل بوسائل إزالة أو تجميع الأتربة، فتأكد من توصيلها واستخدامها بشكل مناسب. حيث أن استخدام وسائل جمع الأتربة قد يقلل من المخاطر المرتبطة بها.

## 4. استخدام الأداة الكهربائية والعناية بها

a. لا ترغم الأداة الكهربائية على العمل. استخدم الأداة الكهربائية المناسبة لاستعمالك. حيث أن الأداة الكهربائية المناسبة سوف تقوم بأداء العمل بشكل أفضل وأكثر أماناً وفقاً للمعدل التي صُممت لأجله.

b. لا تستخدم الأداة الكهربائية إذا لم يقم المفتاح بالتشغيل والإيقاف. أية أداة كهربائية لا يمكن التحكم فيها باستخدام المفتاح تصبح خطيرة ويجب إصلاحها.

c. افضل القابس عن مصدر الطاقة الكهربائية /أو علبه البطارية من الأداة الكهربائية قبل إجراء أية تعديلات، أو تغيير أية ملحقات، أو تخزين الأدوات الكهربائية. تعمل إجراءات السلامة الوقائية هذه على تقليل خطر بدء تشغيل الأداة الكهربائية بدون قصد.

d. خزن الأدوات الكهربائية غير المستخدمة بعيداً عن متناول الأطفال ولا تسمح للأشخاص الغير معتمدين على الأداة الكهربائية أو هذه التعليمات بتشغيل الأداة الكهربائية. تمثل الأدوات الكهربائية خطراً في أيدي المستخدمين غير المتدربين.

e. قم بصيانة الأدوات الكهربائية. تحقق من وجود أي اختلاف أو عائق في الأجزاء المتحركة، أو كسر في الأجزاء، وأية حالة أخرى يمكن أن تؤثر على تشغيل الأدوات الكهربائية. في حالة تلفها، يتم إصلاح الأداة الكهربائية قبل استخدامها. تقع العديد من الحوادث جراء صيانة الأدوات الكهربائية بشكل سيء.

f. احرص على أن تظل أدوات القطع حادة ونظيفة. تعمل الصيانة المناسبة لأدوات القطع ذات الحواف الحادة على تقليل احتمالية أن تتلم ويمكن التحكم فيها بشكل أسهل.

g. استخدم الأداة الكهربائية والكماليات ولقم الأداة وما إلى ذلك بما يتوافق مع هذه التعليمات، مع الوضع في الاعتبار ظروف العمل والعمل المراد تنفيذه. استخدام

## الغرض من الاستخدام

d. لا تسئ استخدام السلك. لا تستخدم السلك مطلقاً في حمل أو سحب الأداة الكهربائية أو فصلها من المقبس. ابق السلك بعيداً عن الحرارة والزيت والحواف الحادة والأجزاء المتحركة. تزيد الأسلاك التالفة أو المتشابكة من مخاطر التعرض للصدمة الكهربائية.

صُم منشار BLACK+DECKER™ الدائري لنشر الخشب والمنتجات الخشبية. هذا الجهاز معد لاستخدام المستهلكين فقط.

## تعليمات السلامة

## تحذيرات الأمان العامة



تحذير! اقرأ كل تحذيرات الأمان وكل التعليمات. أي قصور في اتباع التحذيرات والتعليمات المبنية بالأسفل يمكن أن يؤدي إلى صدمة كهربائية أو حريق و/أو إصابات بالغة.

احتفظ بكل التحذيرات والتعليمات كمرجع مستقبلي. يشير مصطلح "الأداة الكهربائية" الوارد في كل التحذيرات المدرجة أدناه إلى الأداة الكهربائية المشغلة عن طريق التيار الكهربائي (بكابل) أو بطارية (بدون كابل).

## 1. سلامة منطقة العمل

- حافظ على منطقة العمل نظيفة ومضاءة جيداً. فالمناطق غير المرتبة أو المظلمة تستدعي وقوع حوادث.
- لا تشغل الأدوات الكهربائية في أجواء قابلة للانفجار، مثل وجود سوائل أو غازات أو غبار قابلة للاشتعال. تطلق الأدوات الكهربائية شرراً يمكن أن يشعل الغبار أو الأدخنة.
- احرص على إبعاد الأطفال والمتواجدين في منطقة العمل عند تشغيل الأداة الكهربائية. مصادر صرف الانتباه يمكن أن تجعلك تفقد القدرة على التحكم.

## 2. السلامة من مخاطر الكهرباء

- يلزم توافق قوايس الأداة الكهربائية مع مقبس التيار الكهربائي. يُحظر تعديل القابس بأي طريقة. لا تستخدم قوايس مهائى مع الأدوات الكهربائية المتصلة بالأرضي (مؤرضة). عدم تعديل القابس واستخدام مخارج تيار مناسبة يحد من مخاطر الصدمات الكهربائية.
- تجنب ملامسة الجسم مع أسطح مؤرضة أو أرضية، مثل المواسير والمدافئ والأفران والمبردات. يزداد خطر التعرض لصدمة كهربائية إذا كان جسمك في وضع تأريض أو أرضي.
- لا تعرض الأدوات الكهربائية للمطر أو لظروف رطبة. سوف يؤدي تسرب الماء إلى داخل الأداة الكهربائية إلى زيادة مخاطر التعرض للصدمة الكهربائية.

## 3. السلامة الشخصية

- كن متيقظاً، وراقب ما تفعل واستخدم حسك العام عند تشغيل الأداة الكهربائية. لا تستخدم الأداة الكهربائية عندما تكون مجهداً أو تحت تأثير المخدرات أو الكحوليات أو الأدوية. في حالة عدم الانتباه عند تشغيل الأداة الكهربائية يمكن أن تتسبب في وقوع إصابات شخصية بالغة.
- استخدم معدات الحماية الشخصية. احرص دائماً على ارتداء واقي العينين. سوف تعمل معدات الحماية، مثل قناع الغبار وأحذية السلامة المقاومة للانزلاق والخوذة الصلبة وواقي الأذن المستخدمة في ظروف مناسبة على تقليل معدل الإصابات الشخصية.
- تجنب بدء العمل بدون قصد. تحقق من أن المفتاح في وضع الإيقاف قبل التوصيل بمصدر الكهرباء و/أو علبة البطارية أو قبل التقاط أو حمل الأداة. إن حمل الأدوات الكهربائية وإصبعك على مفتاح التشغيل أو بينما توجد الأدوات في وضع التشغيل من شأنه أن يستدعي وقوع حوادث.
- تخلص من أية مفاتيح ضبط أو ربط قبل تشغيل الأداة الكهربائية. يمكن أن يتسبب أي مفتاح ربط أو ضبط موصل بالجزء الدوار من الأداة الكهربائية في وقوع إصابات شخصية.
- تجنب المبالغة. ضع قدميك في وضع مناسب واحتفظ باتزانك في كل الأوقات. حيث يتيح ذلك إمكانية تحكم أفضل في الأداة الكهربائية في المواقف غير المتوقعة.



**WARRANTY REGISTRATION CARD**

YOUR NAME/ VOTRE NOM/الإسم \_\_\_\_\_

\_\_\_\_\_

YOUR ADDRESS/ VOTRE ADRESSE/العنوان \_\_\_\_\_

\_\_\_\_\_

\_\_\_\_\_

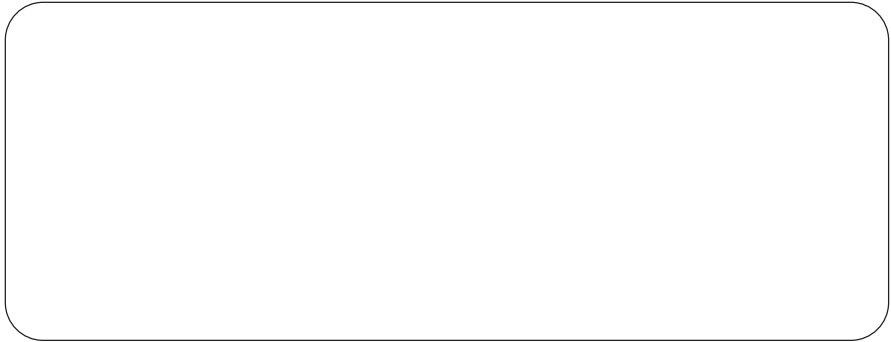
POSTCODE/ CODE POSTAL/الرمز البريدي \_\_\_\_\_

DATE OF PURCHASE/ JOUR D'ACHAT/تاريخ الشراء \_\_\_\_\_

DEALER'S NAME & ADDRESS/ NOM ET ADRESSE DU VENDEUR/إسم وعنوان البائع \_\_\_\_\_

\_\_\_\_\_

\_\_\_\_\_



**PRODUCT MODEL NO. CS1004**

07.2017

N522445

