

DEWALT®

www.DEWALT.com

D25980

English (original instructions)	4
Français (traduction de la notice d'instructions originale)	10
ةيلصألا تاميلعتلا نع مجرتتم ةيبرعلا	17

Figure 1
شکل 1

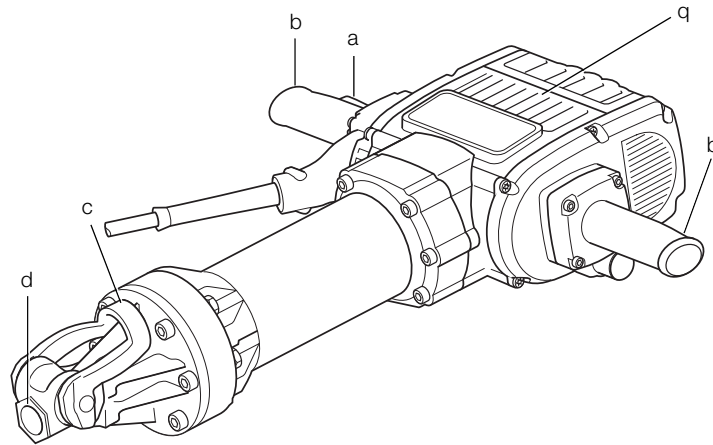


Figure 2
شکل 2

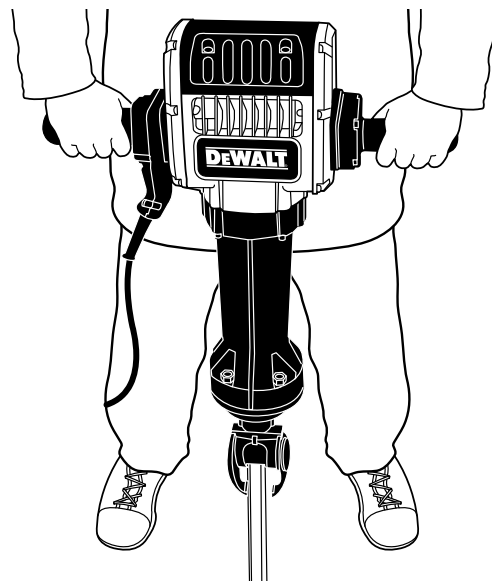


Figure 3

شکل 3

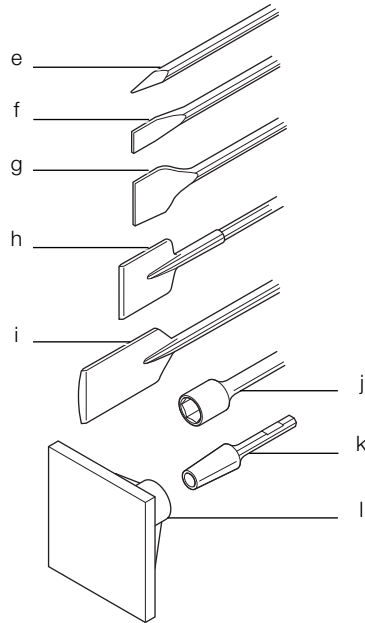


Figure 4

شکل 4

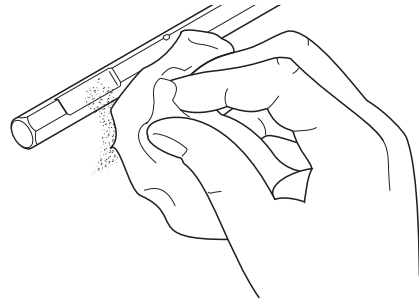


Figure 5

شکل 5

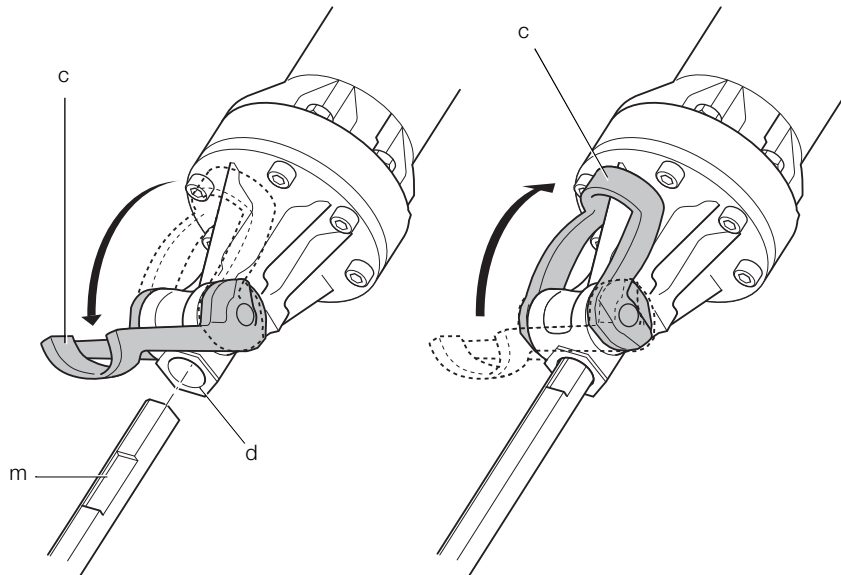


Figure 6
شکل 6

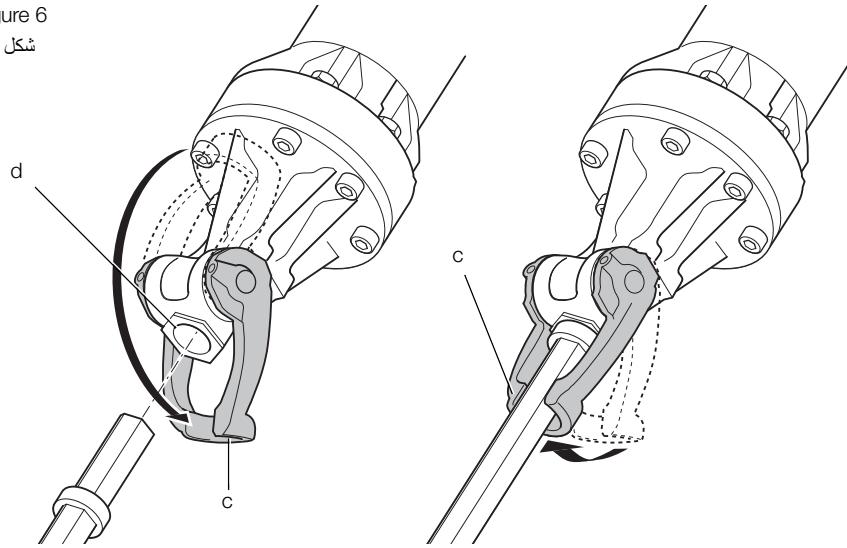
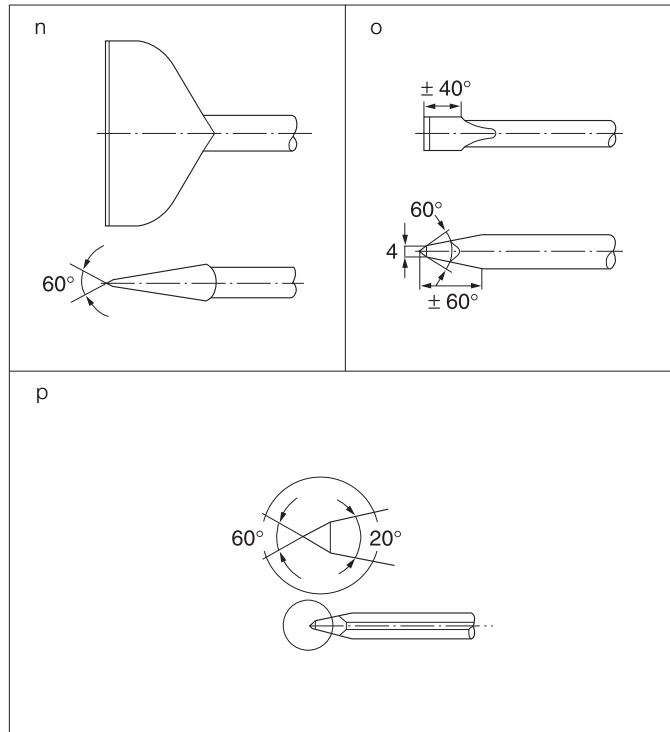


Figure 7
شکل 7



DEMOLITION HAMMER

D25980

Congratulations!

You have chosen a DEWALT tool. Years of experience, thorough product development and innovation make DEWALT one of the most reliable partners for professional power tool users.

Technical data

		D25980
Voltage	V	220–240 120
Type		3
Frequency	Hz	50
Current	A	8.9/15.8
Power input	W	2100/1800
Impact rate	min ⁻¹	900
Impact energy (EPTA 05/2009)	J	52
Tool holder		28 mm hex
Weight	kg	31

Definitions: Safety Guidelines

The definitions below describe the level of severity for each signal word. Please read the manual and pay attention to these symbols.



DANGER: Indicates an imminently hazardous situation which, if not avoided, **will** result in **death or serious injury**.



WARNING: Indicates a potentially hazardous situation which, if not avoided, **could** result in **death or serious injury**.



CAUTION: Indicates a potentially hazardous situation which, if not avoided, **may** result in **minor or moderate injury**.

NOTICE: Indicates a practice **not related to personal injury** which, if not avoided, **may** result in **property damage**.



Denotes risk of electric shock.



Denotes risk of fire.



WARNING: To reduce the risk of injury, read the instruction manual.

General Power Tool Safety Warnings



WARNING! Read all safety warnings and instructions. Failure to follow the warnings and instructions may result in electric shock, fire and/or serious injury.

SAVE ALL WARNINGS AND INSTRUCTIONS FOR FUTURE REFERENCE

The term “power tool” in the warnings refers to your mains-operated (corded) power tool or battery-operated (cordless) power tool.

1) WORK AREA SAFETY

- Keep work area clean and well lit.** Cluttered or dark areas invite accidents.
- Do not operate power tools in explosive atmospheres, such as in the presence of flammable liquids, gases or dust.** Power tools create sparks which may ignite the dust or fumes.
- Keep children and bystanders away while operating a power tool.** Distractions can cause you to lose control.

2) ELECTRICAL SAFETY

- Power tool plugs must match the outlet. Never modify the plug in any way. Do not use any adapter plugs with earthed (grounded) power tools.** Unmodified plugs and matching outlets will reduce risk of electric shock.
- Avoid body contact with earthed or grounded surfaces such as pipes, radiators, ranges and refrigerators.** There is an increased risk of electric shock if your body is earthed or grounded.
- Do not expose power tools to rain or wet conditions.** Water entering a power tool will increase the risk of electric shock.
- Do not abuse the cord. Never use the cord for carrying, pulling or unplugging the power tool. Keep cord away from heat, oil, sharp edges or moving parts.** Damaged or entangled cords increase the risk of electric shock.
- When operating a power tool outdoors, use an extension cord suitable for outdoor use.** Use of a cord suitable for outdoor use reduces the risk of electric shock.

- f) *If operating a power tool in a damp location is unavoidable, use a residual current device (RCD) protected supply. Use of an RCD reduces the risk of electric shock.*

3) PERSONAL SAFETY

- a) *Stay alert, watch what you are doing and use common sense when operating a power tool. Do not use a power tool while you are tired or under the influence of drugs, alcohol or medication. A moment of inattention while operating power tools may result in serious personal injury.*
- b) *Use personal protective equipment. Always wear eye protection. Protective equipment such as dust mask, non-skid safety shoes, hard hat, or hearing protection used for appropriate conditions will reduce personal injuries.*
- c) *Prevent unintentional starting. Ensure the switch is in the off position before connecting to power source and/or battery pack, picking up or carrying the tool. Carrying power tools with your finger on the switch or energising power tools that have the switch on invites accidents.*
- d) *Remove any adjusting key or wrench before turning the power tool on. A wrench or a key left attached to a rotating part of the power tool may result in personal injury.*
- e) *Do not overreach. Keep proper footing and balance at all times. This enables better control of the power tool in unexpected situations.*
- f) *Dress properly. Do not wear loose clothing or jewellery. Keep your hair, clothing and gloves away from moving parts. Loose clothes, jewellery or long hair can be caught in moving parts.*
- g) *If devices are provided for the connection of dust extraction and collection facilities, ensure these are connected and properly used. Use of dust collection can reduce dust-related hazards.*
- c) *Disconnect the plug from the power source and/or the battery pack from the power tool before making any adjustments, changing accessories, or storing power tools. Such preventive safety measures reduce the risk of starting the power tool accidentally.*
- d) *Store idle power tools out of the reach of children and do not allow persons unfamiliar with the power tool or these instructions to operate the power tool. Power tools are dangerous in the hands of untrained users.*
- e) *Maintain power tools. Check for misalignment or binding of moving parts, breakage of parts and any other condition that may affect the power tool's operation. If damaged, have the power tool repaired before use. Many accidents are caused by poorly maintained power tools.*
- f) *Keep cutting tools sharp and clean. Properly maintained cutting tools with sharp cutting edges are less likely to bind and are easier to control.*
- g) *Use the power tool, accessories and tool bits etc., in accordance with these instructions taking into account the working conditions and the work to be performed. Use of the power tool for operations different from those intended could result in a hazardous situation.*

5) SERVICE

- a) *Have your power tool serviced by a qualified repair person using only identical replacement parts. This will ensure that the safety of the power tool is maintained.*

Additional Specific Safety Rules for Demolition Hammers

- *Ensure the chisel is secured in place before operating the tool.*
- *In cold-weather conditions or when the tool has not been used for a longer period of time, let the tool run with no load for several minutes before use.*
- *Always hold the tool firmly with both hands and ensure a secure stance. Always operate the tool with the side handle properly mounted.*
- *When working above ground level ensure the area below is clear.*
- *To prevent electric shock, check the working area for live wires before operation.*

4) POWER TOOL USE AND CARE

- a) *Do not force the power tool. Use the correct power tool for your application. The correct power tool will do the job better and safer at the rate for which it was designed.*
- b) *Do not use the power tool if the switch does not turn it on and off. Any power tool that cannot be controlled with the switch is dangerous and must be repaired.*

ENGLISH

- Do not touch the chisel or the parts close to the chisel immediately after operation, as they may be extremely hot and cause burns to the skin.
- Always direct the power cable to the rear, away from the chisel.
- Keep the power cable away from the accessory. A power cable wrapped around the bit may cause electric shock.
- Do not wrap the power cable around your body.
- Do not allow inexperienced users to use this tool.
- Wear ear protectors. Exposure to noise can cause hearing loss.
- Use auxiliary handles supplied with the tool. Loss of control can cause personal injury.
- Do not strike jammed accessories with a hammer to dislodge them. Fragments of metal or material chips could dislodge and cause injury.
- Always switch off the tool when work is finished and before unplugging.
- Do not recondition accessories yourself. Chisel reconditioning should be done by a qualified specialist. Improperly reconditioned accessories could cause injury. Only slightly worn accessories can be resharpened by grinding.

Residual Risks

The following risks are inherent to the use of demolition hammers:

- Injuries caused by touching the hot parts of the tool.

In spite of the application of the relevant safety regulations and the implementation of safety devices, certain residual risks cannot be avoided. These are:

- Impairment of hearing.
- Risk of squeezing fingers when changing the accessory.
- Health hazards caused by breathing dust developed when working in concrete and/or masonry.
- Physical trauma due to inappropriate lifting and carrying of heavy equipment.

Markings on Tool

The following pictograms are shown on the tool:



Read instruction manual before use.



Wear ear protection.



Wear eye protection.

DATE CODE POSITION (FIG. 1)

The Date Code (q), which also includes the year of manufacture, is printed into the housing.

Example:

2013 XX XX

Year of Manufacture

Package Contents

The package contains:

- 1 Demolition hammer
- 1 Instruction manual
- 1 Exploded drawing

- Check for damage to the tool, parts or accessories which may have occurred during transport.
- Take the time to thoroughly read and understand this manual prior to operation.

Description (fig. 1)



WARNING: Never modify the power tool or any part of it. Damage or personal injury could result.

- a. On/off switch
- b. Side handle(s)
- c. Tool retainer
- d. Tool holder

OPTIONAL ACCESSORIES (FIG. 3)

Various types of 28 mm hex. chisels are available as an option.

- e. Pointed chisel (DT6927)
- f. Cold chisel (DT6929)
- g. Scaling tool (DT6932)
- h. Spade chisel (DT6928)
- i. Asphalt cutter (DT6934)
- j. Driver ground rod (DT6933)
- k. Shank tamper (DT6935)
- l. Plate tamper (DT6936)

Consult your dealer for further information on the appropriate accessories.

INTENDED USE

D25980 demolition hammer has been designed for professional heavy duty demolition, chipping and chasing applications in concrete, brick, stone and other masonry materials.

DO NOT use under wet conditions or in presence of flammable liquids or gases.

These demolition hammers are professional power tools. **DO NOT** let children come into contact with the tool. Supervision is required when inexperienced operators use this tool.

- This product is not intended for use by persons (including children) suffering from diminished physical, sensory or mental abilities; lack of experience, knowledge or skills unless they are supervised by a person responsible for their safety. Children should never be left alone with this product.

Soft Start Feature

The soft start feature allows the impact rate to build up more slowly, thus preventing the chisel or point from “bouncing” around on the masonry when starting up.

Fully Vibration-dampened Handles (fig. 1)

The dampers in the handles (b) absorb the vibrations transmitted to the user. This improves user comfort during the operation.

Active Vibration Control

The active vibration control neutralises rebound vibration from the hammer mechanism. Lowering hand and arm vibration, it allows more comfortable use for longer periods of time and extends the life of the unit.

Electrical Safety

The electric motor has been designed for one voltage only. Always check that the power supply corresponds to the voltage on the rating plate.



Your DEWALT tool is double insulated in accordance with EN 60745; therefore no earth wire is required.



WARNING: 120 V units have to be operated via a fail-safe isolating transformer with an earth screen between the primary and secondary winding.

If the supply cord is damaged, it must be replaced by a specially prepared cord available through the DEWALT service organisation.

Mains Plug Replacement (Middle East and Africa)

If a new mains plug needs to be fitted:

- Safely dispose of the old plug.
- Connect the brown lead to the live terminal in the plug.
- Connect the blue lead to the neutral terminal.



WARNING: No connection is to be made to the earth terminal.

Follow the fitting instructions supplied with good quality plugs. Recommended fuse: 13 A.

Using an Extension Cable

If an extension cable is required, use an approved 3-core extension cable suitable for the power input of this tool (see **Technical Data**). The minimum conductor size is 1.5 mm²; the maximum length is 30 m.

When using a cable reel, always unwind the cable completely.

ASSEMBLY AND ADJUSTMENTS

WARNING: To reduce the risk of injury, turn unit off and disconnect machine from power source before installing and removing accessories, before adjusting or changing set-ups or when making repairs. Be sure the trigger switch is in the OFF position. An accidental start-up can cause injury.

Inserting And Removing 28 mm Hex Accessories (fig. 4–6)

This machine uses chisels with a 28 mm hex. shank. We recommend to use professional accessories only.



WARNING: Since accessories other than those offered by DEWALT have not been tested with this product, the use of such accessories may entail hazardous situations. To reduce the risk of injury, use only accessories recommended by DEWALT.

Clean the chisel shank.



WARNING: Do not apply lubricant to the machine.

TO FIT A CHISEL WITH GROOVE IN THE SHANK, PROCEED AS FOLLOWS (FIG. 5)

1. Pull the tool retainer (c) to the unlock position.

ENGLISH

2. Hold the chisel in front of the tool holder with the groove (m) facing upwards.
3. Insert the chisel shank into the tool holder (d).
4. Push the retainer (c) backwards to lock the accessory in position.

TO FIT A CHISEL WITH COLLAR ON THE SHANK, PROCEED AS FOLLOWS (FIG. 6)

1. Pull the tool retainer (c) to the unlock position.
2. Insert the chisel shank into the tool holder (d).
3. Push the retainer (c) in line with the accessory shank to lock the accessory in position.
4. Pull on the chisel to check if it is properly locked. The hammering function requires the chisel to be able to move axially several centimetres when locked in the tool holder.

To remove a chisel pull back the retainer (c) and pull the chisel out of the tool holder.



WARNING: Always wear gloves when you change accessories. The exposed metal parts on the tool and accessory may become extremely hot during operation.

OPERATION

Instructions for Use



WARNING:

- Always observe the safety instructions and applicable regulations.
- Be aware of the location of pipework and wiring.
- Apply a pressure of approx. 20–30 kg to the tool. Excessive force does not speed up chiselling but decreases tool performance and may shorten tool life.

Proper Hand Position (fig. 1, 2)



WARNING: To reduce the risk of serious personal injury, **ALWAYS** use proper hand position as shown.



WARNING: To reduce the risk of serious personal injury, **ALWAYS** hold securely in anticipation of a sudden reaction.

Proper hand position requires one hand on each side handle (b).

Switching On and Off (fig. 1)

To run the tool, press the on/off switch (a).

To stop the tool, release the switch.

Demolition, Chasing and Channelling (fig. 1–6)

1. Select the appropriate chisel and clean its shank.
2. Insert the chisel and check whether it is properly locked.
3. Hold of the tool at both handles (b) and turn on. The tool now runs in continuous operation.

MAINTENANCE

Your DEWALT power tool has been designed to operate over a long period of time with a minimum of maintenance. Continuous satisfactory operation depends upon proper tool care and regular cleaning.



WARNING: To reduce the risk of injury, turn unit off and disconnect machine from power source before installing and removing accessories, before adjusting or changing set-ups or when making repairs. Be sure the trigger switch is in the OFF position. An accidental start-up can cause injury.

This machine is not user-serviceable. Take the tool to an authorised DEWALT repair agent after approximately 200 hours of use.

If problems occur before this time contact an authorised DEWALT repair agent.



Lubrication

Your power tool requires no additional lubrication.



Cleaning



WARNING: Blow dirt and dust out of the main housing with dry air as often as dirt is seen collecting in and around the air vents. Wear approved eye protection and approved dust mask when performing this procedure.



WARNING: Never use solvents or other harsh chemicals for cleaning the non-metallic parts of the tool. These chemicals may weaken the materials used in these parts. Use a cloth dampened only with water and mild soap. Never let any liquid get inside the tool; never immerse any part of the tool into a liquid.



Separate collection of used products and packaging allows materials to be recycled and used again. Re-use of recycled materials helps prevent environmental pollution and reduces the demand for raw materials.

Local regulations may provide for separate collection of electrical products from the household, at municipal waste sites or by the retailer when you purchase a new product.

DEWALT provides a facility for the collection and recycling of DEWALT products once they have reached the end of their working life. To take advantage of this service please return your product to any authorised repair agent who will collect them on our behalf.

You can check the location of your nearest authorised repair agent by contacting your local DEWALT office at the address indicated in this manual. Alternatively, a list of authorised DEWALT repair agents and full details of our after-sales service and contacts are available on the Internet at: www.2helpU.com.

Optional Accessories



WARNING: Since accessories, other than those offered by DEWALT, have not been tested with this product, use of such accessories with this tool could be hazardous. To reduce the risk of injury, only DEWALT, recommended accessories should be used with this product.



WARNING: These chisels can be reground only a limited number of times. If in doubt, contact your dealer for recommendations.



WARNING: Ensure that the cutting edge does not show discolouration caused by too much pressure. This may impair the hardness of the accessory.

Accessory Maintenance (fig. 7)

Accessory maintenance at the right time guarantees optimal results in application and a long and efficient accessory life.

Grind the chisels on grinding discs. Refer to figure 7 for the appropriate angles of the following chisels:

- n. spade-shaped chisel
- o. cold chisel
- p. pointed chisel

Consult your dealer for further information on the appropriate accessories.

Protecting the Environment



Separate collection. This product must not be disposed of with normal household waste.

Should you find one day that your DEWALT product needs replacement, or if it is of no further use to you, do not dispose of it with household waste. Make this product available for separate collection.

MARTEAU DE DÉMOLITION

D25980

Félicitations !

Vous avez choisi un outil DEWALT. Des années d'expertise dans le développement et l'innovation de ses produits ont fait de DEWALT, le partenaire privilégié des utilisateurs professionnels d'outils électriques.

Fiche technique

		D25980
Tension	V	220-240 120
Type		3
Fréquence	Hz	50
Courant	A	8,9/15,8
Puissance absorbée	W	2100/1800
Force d'impact	min ⁻¹	900
Énergie de frappe (EPTA 05/2009)	J	52
Porte-outil		hex 28 mm
Poids	kg	31

Définitions : consignes de sécurité

Les définitions ci-après décrivent le degré de risques associé à chaque balise. Lire soigneusement la notice d'instructions et respecter ces symboles.



DANGER : indique une situation de danger imminent qui, si rien n'est fait pour l'éviter, **aura** comme conséquences la **mort ou des dommages corporels graves**.



AVERTISSEMENT : indique une situation de danger potentiel qui, si rien n'est fait pour l'éviter, **pourra** avoir comme conséquences la **mort ou des dommages corporels graves**.



ATTENTION : indique une situation de danger potentiel qui, si rien n'est fait pour l'éviter, **pourrait** avoir comme conséquences des **dommages corporels mineurs ou moindres**.

AVIS : indique une pratique ne **posant aucun risque de dommages corporels**, mais qui par contre, si rien n'est fait pour l'éviter, **pourrait** poser des **risques de dommages matériels**.



Indique des risques de décharges électriques.



Indique des risques d'incendie.



AVERTISSEMENT : afin de réduire le risque de blessure, lisez le manuel d'instruction.

Avertissements de sécurité généraux pour les outils électriques



AVERTISSEMENT ! Lire toutes les directives et consignes de sécurité. Tout manquement aux directives et consignes ci-inclues comporte des risques de décharges électriques, d'incendie et/ou de dommages corporels graves.

CONSERVEZ TOUS LES AVERTISSEMENTS ET LES CONSIGNES POUR RÉFÉRENCE ULTÉRIEURE

Le terme « outil électrique » mentionné dans les avertissements se rapporte aux outils branchés sur secteur (avec câble de raccordement) ou fonctionnant sur piles (sans fil).

1) SÉCURITÉ DE L'AIRE DE TRAVAIL

- Maintenez l'aire de travail propre et bien éclairée.** Une aire de travail encombrée ou mal éclairée augmente les risques d'accident.
- N'utilisez pas les outils électriques dans un environnement explosif, comme en présence de liquides, gaz ou poussières inflammables.** Les outils électriques produisent des étincelles qui peuvent enflammer la poussière ou les émanations.
- Tenez à distance enfants et spectateurs pendant que vous opérez un outil électrique.** Une distraction peut vous faire perdre le contrôle de l'outil.

2) SÉCURITÉ ÉLECTRIQUE

- La fiche de l'outil électrique doit correspondre avec la prise de courant. Ne modifiez en aucun cas la fiche. N'utilisez pas de fiches adaptatrices avec des outils électriques reliés à la terre (masse).** Les fiches non modifiées et les prises de courant adaptées réduisent les risques d'électrocution.
- Évitez tout contact physique avec des surfaces reliées à la terre ou à la masse, tels que tuyaux, radiateurs, cuisinières**

électriques et réfrigérateurs. Le risque d'électrocution augmente si votre corps est relié à la terre.

- c) **N'exposez pas les outils électriques à la pluie ou à l'humidité.** Le risque d'électrocution augmente si de l'eau pénètre dans un outil électrique.
- d) **Ne maltraitez pas le cordon d'alimentation. N'utilisez jamais le cordon pour transporter, tirer ou débrancher l'outil électrique. Tenez le cordon à l'écart des sources de chaleur, de l'huile, des bords tranchants ou des pièces en mouvement.** Le risque d'électrocution augmente si le cordon est endommagé ou entortillé.
- e) **Utilisez une rallonge conçue pour l'utilisation à l'extérieur si vous utilisez l'outil électrique dehors.** Le risque d'électrocution diminue si vous utilisez un cordon conçu pour l'utilisation à l'extérieur.
- f) **Si vous ne pouvez pas faire autrement qu'utiliser l'outil électrique dans un endroit humide, utilisez un circuit protégé par dispositif de courant résiduel (RCD).** L'utilisation d'un RCD réduit le risque d'électrocution.

3) SÉCURITÉ PERSONNELLE

- a) **Restez vigilant, surveillez vos gestes et faites preuve de bon sens lorsque vous utilisez un outil électrique. N'utilisez pas un outil électrique si vous êtes fatigué ou sous l'influence de drogues, d'alcool ou de médicaments.** Un moment d'inattention durant l'utilisation d'un outil électrique peut entraîner de graves blessures corporelles.
- b) **Utilisez un équipement de sécurité individuelle. Portez toujours des lunettes de sécurité.** Un équipement de sécurité comme un masque anti-poussières, des chaussures de sécurité antidérapantes, un casque de sécurité ou un serre-tête antibruit, utilisé selon la tâche à effectuer, permettront de diminuer le risque de blessures corporelles.
- c) **Évitez tout démarrage intempestif. Assurez-vous que l'interrupteur est en position arrêt avant de relier l'outil à la source d'alimentation et/ou au bloc-piles, ou de ramasser ou transporter l'outil.** Transporter les outils électriques le doigt placé sur l'interrupteur ainsi que brancher des outils électriques dont l'interrupteur est en position Marche augmentent les risques d'accident.
- d) **Retirez toute clé de réglage ou autre avant de mettre l'outil sous tension.** Une clé laissée en place sur une pièce rotative de l'outil électrique peut entraîner des blessures corporelles.
- e) **Ne vous penchez pas trop loin. Maintenez constamment votre équilibre.** Vous aurez ainsi une meilleure maîtrise de l'outil électrique en cas de situations imprévues.
- f) **Portez des vêtements adéquats. Ne portez pas de vêtements amples ni de bijoux. Maintenez cheveux, vêtements et gants à l'écart des pièces en mouvement.** Les pièces en mouvement peuvent happer les vêtements amples, les bijoux et les cheveux longs.
- g) **Si des accessoires sont fournis pour raccorder des dispositifs d'aspiration et de collecte de la poussière, vérifiez qu'ils sont bien raccordés et bien utilisés.** L'utilisation de dispositifs de collecte de la poussière peut réduire les risques liés à la poussière.

4) UTILISATION ET ENTRETIEN DES OUTILS ÉLECTRIQUES

- a) **Ne forcez pas l'outil électrique. Utilisez l'outil électrique qui correspond à votre utilisation.** Si vous utilisez l'outil électrique adéquat et respectez le régime pour lequel il a été conçu, il réalisera un travail de meilleure qualité et plus sûr.
- b) **N'utilisez pas l'outil électrique s'il est impossible de l'allumer ou de l'éteindre avec l'interrupteur.** Un outil électrique qui ne peut être contrôlé par l'interrupteur représente un danger et doit être réparé.
- c) **Débranchez la fiche de la source d'alimentation et/ou le bloc-piles de l'outil électrique avant d'effectuer des réglages, de changer les accessoires ou de ranger les outils électriques.** Ces mesures de sécurité préventives réduiront les risques de démarrage accidentel de l'outil électrique.
- d) **Après utilisation, rangez l'outil électrique hors de portée des enfants et ne laissez aucune personne l'utiliser si elle n'est pas familiarisée avec les outils électriques ou ces instructions.** Les outils électriques représentent un danger entre des mains inexpertes.
- e) **Procédez à l'entretien des outils électriques. Assurez-vous que les pièces en mouvement ne sont pas désalignées ou coincées, qu'aucune pièce n'est cassée ou que l'outil électrique n'a subi aucun dommage pouvant affecter son bon fonctionnement. Si l'outil électrique**

FRANÇAIS

est endommagé, faites-le réparer avant de le réutiliser. De nombreux accidents sont causés par des outils mal entretenus.

- f) **Maintenez vos outils affûtés et propres.**
Un outil bien entretenu et aux bords bien affûtés risquera moins de se coincer et sera plus facile à maîtriser.
- g) **Utilisez l'outil électrique, ses accessoires et ses embouts, etc. conformément aux instructions, en tenant compte des conditions de travail et de la tâche à effectuer.** L'utilisation d'un outil électrique à des fins autres que celles prévues est potentiellement dangereuse.

5) RÉPARATION

- a) **Confiez la réparation de votre outil électrique à un réparateur qualifié qui utilise des pièces de rechange identiques.** La sécurité de l'outil électrique sera ainsi préservée.

Règles de sécurité particulières additionnelles propres aux marteaux de démolition

- S'assurer que le burin est bien arrimé avant d'utiliser l'outil.
- En cas de basses températures ou lorsque l'outil n'a pas été utilisé pendant un certain temps, laisser l'outil fonctionner à vide quelques minutes avant utilisation.
- Maintenir systématiquement l'outil fermement à deux mains et les pieds bien ancrés au sol. Utiliser systématiquement l'outil avec sa poignée latérale installée correctement.
- Lorsqu'on travaille en étage, s'assurer que l'étage inférieur a été évacué.
- Pour prévenir toute décharge électrique, vérifier que l'aire de travail ne comporte aucun fil sous tension avant toute opération.
- Ne pas toucher le burin, ou toute partie à proximité, immédiatement après utilisation, car ceux-ci pourraient être brûlants et brûler l'épiderme.
- Diriger systématiquement le cordon électrique vers l'arrière, hors du chemin du burin.
- Maintenir le cordon d'alimentation à l'écart de tout accessoire. Si le cordon électrique venait à s'enrouler autour de la mèche, il y aurait risques de décharges électriques.
- Ne pas enrouler le cordon électrique autour de son corps.
- Ne laisser aucun utilisateur inexpérimenté utiliser cet outil.

- Porter un dispositif de protection auditive. Le bruit en résultant pourrait occasionner une perte de l'acuité auditive.
- Utiliser la poignée auxiliaire fournie avec l'outil. Une perte de contrôle de l'outil pourrait occasionner des dommages corporels.
- Ne pas asséner des coups de marteau sur des accessoires coincés pour les déloger. Des fragments de métal ou de matériau pourraient être éjectés et causer des dommages corporels.
- Arrêtez systématiquement l'outil après utilisation et avant de le débrancher.
- Ne pas remettre à neuf des accessoires soi-même. La remise à neuf de tout burin doit être effectuée par un spécialiste qualifié. Tout accessoire remis à neuf incorrectement pose des risques de dommages corporels. Seuls des accessoires légèrement usés peuvent être réaffûtés par meulage.

Risques résiduels

Les risques suivants sont inhérents à l'utilisation des marteaux de démolition :

- Dommages corporels par contact avec les parties brûlantes de l'outil.

En dépit de l'application des normes de sécurité en vigueur et de l'installation de dispositifs de sécurité, certains risques résiduels sont inévitables. Il s'agit de :

- Diminution de l'acuité auditive ;
- Risques de se pincer les doigts lors du changement d'accessoires ;
- Risques pour la santé causés par l'inhalation de poussières dégagées lors du travail du béton et/ou de la maçonnerie.
- Traumas physiques dus au levage ou au transport inapproprié de machinerie lourde.

Étiquettes sur l'appareil

On trouve les diagrammes suivants sur l'outil :



Lire la notice d'instructions avant toute utilisation.



Porter un dispositif de protection auditive.



Porter un dispositif de protection oculaire.

EMPLACEMENT DE LA DATE CODÉE DE FABRICATION (FIG. 1)

La date codée de fabrication (q), qui comprend aussi l'année de fabrication, est imprimée sur le boîtier.

Exemple :

2013 XX XX

Année de fabrication

Contenu de l'emballage

Ce carton comprend :

- 1 Marteau de démolition
- 1 Notice d'instructions
- 1 Dessin éclaté

- Vérifier que l'appareil et ses pièces ou accessoires n'ont pas été endommagés lors du transport.
- Prendre le temps de lire attentivement et comprendre cette notice d'instructions avant toute utilisation de l'appareil.

Description (fig.1)

AVERTISSEMENT : ne jamais modifier l'outil électrique ni aucun de ses composants. Il y a risques de dommages corporels ou matériels.

- a. Interrupteur marche/arrêt
- b. Poignée(s) latérale(s)
- c. Dispositif de retenue de l'outil
- d. Porte-outil

ACCESSOIRES EN OPTION (FIG. 3)

Différents types de burins hexagonaux de 28 mm sont disponibles en option.

- e. Burin pointu (DT6927)
- f. Burin plat (DT6929)
- g. Burin d'écaillage (DT6932)
- h. Burin large (DT6928)
- i. Coupe asphalte (DT6934)
- j. Mandrin pour tige de mise à la terre (DT6933)
- k. Dame ronde (DT6935)
- l. Dame plate (DT6936)

Veuillez consulter votre revendeur pour plus d'informations sur les accessoires appropriés.

USAGE PRÉVU

Les marteaux de démolition D25980 ont été conçus pour des applications professionnelles industrielles de démolition, burinage et ciselage du béton, de la brique, la pierre et autres matériaux de maçonnerie.

NE PAS utiliser l'outil en milieu ambiant humide ou en présence de liquides ou de gaz inflammables.

Ces marteaux de démolition sont des outils de professionnels. **NE PAS** les laisser à la portée des enfants. Une supervision est nécessaire auprès de tout utilisateur non expérimenté.

- Ce produit n'est pas prévu pour être utilisé par des personnes (y compris les enfants) dont les capacités physiques, sensorielles ou mentales sont réduites ou qui manquent d'expérience ou d'aptitudes, sauf si ces personnes sont surveillées par une autre personne responsable de leur sécurité. Ne jamais laisser les enfants seuls avec ce produit.

Fonctionnalité Démarrage en douceur

La fonctionnalité Démarrage en douceur permet aux forces d'impact d'augmenter graduellement, prévenant ainsi que le ciseau ou le burin ne tressaute sur la maçonnerie au démarrage.

Poignées avec amortisseur intégral de vibrations (fig.1)

Les amortisseurs de vibrations des poignées (b) absorbent les vibrations transmises à l'utilisateur. Cette particularité améliore le confort de l'utilisateur pendant le perçage.

Système d'amortissement des vibrations

Le système d'amortissement des vibrations neutralise la répercussion des vibrations provoquées par le mécanisme du marteau. La réduction des vibrations au niveau des mains et des bras permet une utilisation plus souple de l'outil pendant des périodes de temps prolongées ainsi que l'allongement de sa durée de vie..

Sécurité électrique

Le moteur électrique a été conçu pour fonctionner sur une tension unique. Vérifier systématiquement que la tension du secteur correspond bien à la tension indiquée sur la plaque signalétique.



Votre outil DEWALT à double isolation est conforme à la norme EN 60745 ; un branchement à la terre n'est donc pas nécessaire.



AVERTISSEMENT : les appareils à 120 V doivent être utilisés avec des transformateurs d'isolation à l'épreuve des pannes doté d'un écran de terre entre l'enroulement primaire et secondaire.

FRANÇAIS

Si le cordon fourni est endommagé, le remplacer par un cordon spécialement conçu à cet effet, et disponible auprès du service après-vente DEWALT.

- (CH)** Toujours utiliser la fiche prescrite lors du remplacement du câble d'alimentation.
 - Type 11 pour la classe II (Isolation double) – outils
 - Type 12 pour la classe I (Conducteur de terre) – outils
- (CH)** En cas d'utilisation à l'extérieur, connecter les outils portatifs à un disjoncteur FI.

Remplacement de la fiche d'alimentation (Moyen-Orient et Afrique)

Si une nouvelle fiche d'alimentation doit être montée :

- Mettre soigneusement au rebut l'ancienne fiche.
- Raccorder le fil marron à la borne de phase dans la fiche.
- Raccorder le fil bleu à la borne de neutre.



AVERTISSEMENT : aucun branchement ne doit être fait à la borne de terre.

Suivez les instructions de montage fournies avec des fiches de bonne qualité. Fusible recommandé : 13 A.

Utilisation d'une rallonge

Si une rallonge s'avère nécessaire, utiliser une rallonge homologuée et compatible avec la tension nominale de cet outil (se reporter à la section **Caractéristiques techniques**). La section minimale du conducteur est de 1 mm² pour une longueur maximale de 30 m.

En cas d'utilisation d'un dévidoir, dérouler systématiquement le câble sur toute sa longueur.

MONTAGE ET RÉGLAGES



AVERTISSEMENT : pour réduire tout risque de dommages corporels, arrêter l'outil et débrancher l'appareil du secteur avant d'installer ou de retirer tout accessoire, avant tout réglage ou changement de configuration ou lors de réparations. S'assurer que la gâchette est bien en position d'ARRÊT. Tout démarrage accidentel pourrait causer des dommages corporels.

Insertion et retrait d'accessoires hexagonaux de 28 mm (fig. 4–6)

Cette machine utilise des burins avec une tige hexagonale de 28 mm. Il est recommandé d'utiliser exclusivement des accessoires de professionnels.



AVERTISSEMENT : comme les accessoires autres que ceux offerts par DEWALT n'ont pas été testés avec ce produit, leur utilisation peut être dangereuse. Pour réduire tout risque de dommages corporels, utiliser exclusivement des accessoires recommandés par DEWALT.

Nettoyez la tige de l'accessoire.



AVERTISSEMENT : n'appliquer aucun lubrifiant sur l'appareil.

POUR INSTALLER UN BURIN AVEC TIGE À RAINURE, PROCÉDEZ COMME SUIV (FIG. 5)

1. Déverrouillez le dispositif de retenue de l'outil (c).
2. Mettez le burin devant porte-outil avec la rainure (m) sur le dessus.
3. Insérez la tige du burin dans le porte-outil (d).
4. Repoussez le dispositif de retenue (c) vers l'arrière pour verrouiller l'accessoire en place.

POUR INSTALLER UN BURIN AVEC TIGE À ANNEAU, PROCÉDEZ COMME SUIV (FIG. 6)

1. Déverrouillez le dispositif de retenue de l'outil (c).
2. Insérez la tige du burin dans le porte-outil (d).
3. Alignez le dispositif de retenue (c) sur la tige de l'accessoire pour le verrouiller en place.
4. Tirez sur l'accessoire pour vérifier qu'il est bien verrouillé. Les opérations de martelage requièrent que l'accessoire puisse remuer sur son axe de quelques centimètres une fois verrouillé dans le porte-outil.

Pour retirer le burin, repoussez le dispositif de retenue (c) puis retirez le burin du porte-outil.



AVERTISSEMENT : utiliser systématiquement des gants pour changer d'accessoires. Les parties métalliques exposées sur l'outil et l'accessoire peuvent devenir extrêmement brûlantes pendant l'utilisation.

FONCTIONNEMENT

Consignes d'utilisation



AVERTISSEMENT :

- Respecter systématiquement les consignes de sécurité et les normes en vigueur.
- Attention aux tuyaux et aux fils électriques.
- Appliquer une pression d'environ 20 à 30 kg sur l'outil. Toute force excessive n'accélèrera pas le ciselage, mais diminuera les performances de l'outil et sa durée de vie.

Position correcte des mains (fig. 1, 2)



AVERTISSEMENT : pour réduire tout risque de dommages corporels graves, adopter **SYSTÉMATIQUEMENT** la position des mains illustrée.



AVERTISSEMENT : pour réduire tout risque de dommages corporels graves, maintenir fermement et **SYSTÉMATIQUEMENT** l'outil pour anticiper toute réaction soudaine de sa part.

La position correcte des mains requiert une main sur chaque poignée latérale (b).

Mise en marche et arrêt (fig. 1)

Appuyez sur l'interrupteur marche/arrêt (a) pour mettre l'outil en marche.

Pour arrêter l'outil, relâchez l'interrupteur.

Démolition, ciselage et burinage (fig. 1–6)

1. Sélectionnez l'accessoire approprié puis nettoyez sa tige.
2. Insérez l'accessoire et vérifiez qu'il est bien verrouillé en place.
3. Maintenez l'outil à deux mains (b) et mettez-le en marche. L'outil fonctionnera alors en mode continu.

MAINTENANCE

Votre outil électrique DEWALT a été conçu pour fonctionner longtemps avec un minimum de maintenance. Le fonctionnement continu et satisfaisant de l'outil dépendra d'une maintenance adéquate et d'un nettoyage régulier.



AVERTISSEMENT : pour réduire tout risque de dommages corporels, arrêter l'outil et débrancher l'appareil du secteur avant d'installer ou de retirer tout accessoire, avant tout réglage ou changement de configuration ou lors de réparations. S'assurer que la gâchette est bien en position d'ARRÊT. Tout démarrage accidentel pourrait causer des dommages corporels.

Cet appareil ne peut être réparé par l'utilisateur. Rapportez l'outil chez un réparateur agréé DEWALT après environ 200 heures d'utilisation.

Pour tout problème entre temps, veuillez contacter un réparateur agréé DEWALT.



Lubrification

Cet outil électrique ne requiert aucune lubrification additionnelle.



Entretien



AVERTISSEMENT : éliminer poussière et saleté du boîtier principal à l'aide d'air comprimé chaque fois que les orifices d'aération semblent s'encrasser. Porter systématiquement des lunettes de protection et un masque anti-poussières homologués au cours de cette procédure.



AVERTISSEMENT : ne jamais utiliser de solvants ou tout autre produit chimique décapant pour nettoyer les parties non métalliques de l'outil. Ces produits chimiques pourraient attaquer les matériaux utilisés. Utiliser un chiffon humidifié avec de l'eau et un savon doux. Protéger l'outil de tout liquide et n'immerger aucune de ses pièces dans aucun liquide.

Accessoires en option



AVERTISSEMENT : comme les accessoires autres que ceux offerts par DEWALT n'ont pas été testés avec ce produit, leur utilisation avec cet appareil pourrait être dangereuse. Pour réduire tout risque de dommages corporels, seuls des accessoires DEWALT recommandés doivent être utilisés avec cet appareil.



AVERTISSEMENT : ces accessoires ne peuvent supporter qu'un nombre limité d'affûtages. En cas de doutes, veuillez consulter votre détaillant agréé.



AVERTISSEMENT : s'assurer de n'exercer aucune pression excessive pouvant décolorer le bord de coupe de l'accessoire. Cela pourrait affecter sa solidité.

Maintenance des accessoires (fig. 7)

Une maintenance opportune des accessoires garantit des résultats optimaux au niveau de l'application donnée, mais aussi au niveau de leur durée de vie et efficacité.

Affûtez les burins avec des meules d'affûtage. Reportez-vous en figure 7 pour connaître les angles appropriés aux accessoires suivants :

- n. Burin large
- o. Burin plat
- p. Burin pointu

Veuillez consulter votre revendeur pour plus d'informations sur les accessoires appropriés.

Protection de l'environnement



Collecte sélective. Ne pas jeter ce produit avec les ordures ménagères.

En fin de durée de vie ou d'utilité de votre produit DEWALT, ne pas le jeter avec les ordures ménagères, mais dans les conteneurs de collecte sélective.



La collecte sélective des produits et emballages usagés permet de recycler et réutiliser leurs matériaux. La réutilisation de matériaux recyclés aide à protéger l'environnement contre la pollution et à réduire la demande en matière première.

Selon les réglementations locales, il peut être offert : service de collecte sélective individuel des produits électriques, ou déchetterie municipale ou collecte sur les lieux d'achat des produits neufs.

DEWALT dispose d'installations pour la collecte et le recyclage des produits DEWALT en fin de vie. Pour profiter de ce service, veuillez rapporter votre produit auprès d'un centre de réparation agréé qui le recyclera en notre nom.

Pour connaître l'adresse d'un centre de réparation agréé près de chez vous, veuillez contacter votre distributeur DEWALT local à l'adresse indiquée dans cette notice d'instructions, ou consulter la liste des centres de réparation agréés DEWALT, l'éventail de notre SAV et tout renseignement complémentaire sur Internet à l'adresse : www.2helpU.com.

مطرقة الهدم

D25980

تهانينا!


لقد اخترت أداة DEWALT، سنوات الخبرة التي تمتد خلالها عملت تطوير المنتجات وابتكارها تجعل DEWALT من أكثر الشركاء الذين يمكن الاعتماد عليهم بالنسبة لمستخدمي الأدوات الآلية المحترفين.


البيانات الفنية


D25980		
الجهد الكهربائي	فولت	240-220
النوع		120
التردد	هرتز	3
التيار	أمبير	50
إدخال الطاقة	وات	8.9/15.8
معدل التأثير	دقيقة	2100/1800
طاقة التأثير (EPTA 05/2009)	J	900
حامل الأداة	مم سداسي	52
وزن	كجم	28
		31


التعريفات: تعليمات الأمان


تصف التعريفات التالية مستوى أهمية كل كلمة تحذيرية. يرجى قراءة الدليل والانتباه لتلك الرموز.

 خطر! تشير هذه الكلمة إلى وجود حالة خطر وشيكة، وإذا لم يتم تفاديها، فقد تؤدي إلى الوفاة أو الإصابة الجسيمة.


 تحذير! تشير هذه الكلمة إلى وجود حالة خطر محتملة، وإذا لم يتم تفاديها، فقد تؤدي إلى الوفاة أو الإصابة الجسيمة.

 تنبيه! تشير هذه الكلمة إلى وجود حالة خطر محتملة، وإذا لم يتم تفاديها، فقد تؤدي إلى حدوث إصابة بسيطة أو متوسطة.


 ملاحظة! تشير إلى ممارسة غير متعلقة بإصابة شخصية، إذا لم يتم تفاديها، فقد تؤدي إلى ضرر الممتلكات.

 تشير إلى خطر حدوث صدمة كهربائية.

 تشير إلى خطر نشوب حريق.

 تحذير! لتقليل خطر حدوث الإصابات، تفضل بقراءة دليل التعليمات.

تحذيرات الأمان العامة للأدوات الكهربائية

 تحذير! تفضل بقراءة جميع تحذيرات الأمان وكل التعليمات. عدم الالتزام باتباع هذه التحذيرات والتعليمات قد يؤدي إلى حدوث صدمة كهربائية، و/أو نشوب حريق، و/أو إصابة جسيمة.

احتفظ بجميع التحذيرات والتعليمات من أجل الرجوع إليها في المستقبل

يشير المصطلح «أداة كهربائية» في التحذيرات إلى الأداة الكهربائية التي تعمل بالطاقة الكهربائية (مزودة بسلك كهربائي) أو الأداة الكهربائية التي تعمل بالبطارية (غير مزودة بسلك كهربائي).

(1) أمان منطقة العمل

- (أ) احتفظ بمنطقة العمل نظيفة ومضاءة بطريقة جيدة. حيث أن المناطق المتكدسة بغير نظام أو المظلمة تؤدي إلى وقوع الحوادث.
- (ب) لا تقم بتشغيل الأدوات الكهربائية في الأجواء المتفجرة، كأن يوجد بالمكان سوائل أو غازات أو غبار قابل للاشتعال. قد تؤدي الأدوات الكهربائية التي تحدث شرارات في اشتعال الأتربة أو الأذخنة.
- (ج) حافظ على الأطفال والأشخاص المشاهدين بعيداً أثناء تشغيل الأداة الكهربائية. فقد يؤدي تشتت الانتباه إلى فقدان سيطرتك.

(2) السلامة الكهربائية

- (أ) يجب أن يتطابق قابس الأداة الكهربائية مع مصدر التيار الكهربائي. لا تقم مطلقاً بإجراء تعديل على القابس بأي طريقة. لا تستخدم قابس المحول مع الأدوات الكهربائية المؤرضة (تم تأريضها). حيث ستقلل المقابس غير المعدلة ومصادر التيار الكهربائي المتطابقة من خطر حدوث صدمة كهربائية.
- (ب) تجنب تلامس الجسد مع الأسطح الأرضية أو المؤرضة كالأثاث، المشعاع والنطاقات والتلاجت. حيث يوجد خطر متزايد من حدوث صدمة كهربائية إذا كان جسدك مؤرضاً أو ثابتاً على الأرض.
- (ج) لا تعرض الأدوات الكهربائية للمطر أو البلل. إذ سيؤدي الماء الذي يدخل الأداة الكهربائية إلى زيادة خطر حدوث صدمة كهربائية.
- (د) لا تستخدم الكابل بطريقة خاطئة. لا تستخدم مطلقاً السلك من أجل حمل الأشياء أو سحبها أو لنزع قابس الأداة الكهربائية. أبعد السلك عن الحرارة أو الزيوت أو الحواف الحادة أو الأجزاء المتحركة. إذ تزيد الأسلاك التالفة أو المتشابهة من خطر حدوث صدمة كهربائية.
- (هـ) عند تشغيل الأداة الكهربائية خارج المنزل، استخدم سلك استئالة ملائم للاستخدام في الأماكن الخارجية. حيث إن استخدام السلك الملائم للاستخدام الخارجي يقلل من خطر حدوث الصدمة الكهربائية.
- (و) إذا لم يكن هناك مفر من تشغيل الأداة الكهربائية في أحد الأماكن الرطبة، فاستخدم مصدر إمداد محمي بجهاز قاطع الدائرة (RCD). استخدام جهاز التيار المتبقي يقلل من حدوث الصدمة الكهربائية.

(3) السلامة الشخصية

- (أ) ابق يقظاً وراقب ما تقوم بفعله واستعن بالحواس العامة عند تشغيل الأداة الكهربائية. لا تستخدم الأداة الكهربائية عندما تكون متعباً أو تحت تأثير المخدرات أو الكحول أو الأدوية. قد تؤدي أي لحظة من السهو أثناء تشغيل الأدوات الكهربائية إلى حدوث إصابة جسدية جسيمة.

5) الخدمة

- أ) قم بصيانة الأداة الكهربائية الخاصة بك على يد فني إصلاح مؤهل وذلك من خلال استخدام أجزاء بديلة متطابقة فقط. حيث سيضمن ذلك الحفاظ على أمان الأداة الكهربائية.

قواعد الأمان الإضافية الخاصة بمطابق الهدم

- تأكد من أن الإزميل محكم الربط في موضعه قبل تشغيل الأداة.
- في أحوال الطقس الباردة أو عندما لا يتم استخدام الأداة لفترة زمنية طويلة، فقم بترك الأداة بدون حمل لعدة دقائق قبل الاستخدام.
- قم دوماً بإمسك الأداة بإحكام بكتلي يديك واحرص على وجود مسافة آمنة. قم دوماً بتشغيل الأداة والمقبض الجانبي مركب بطريقة صحيحة.
- عند العمل فوق المستوى الأرضي، تأكد من أن المنطقة السفلية خالية.
- لتجنب الصعقة الكهربائية، تحقق من منطقة العمل بحثاً عن أية أسلاك مكشوفة قبل التشغيل.
- لا تلمس الإزميل أو الأجزاء القريبة من الإزميل بعد التشغيل مباشرة، لأنها تكون ساخنة للغاية وقد تؤدي إلى إصابة الجلد بحروق.
- قم دوماً بتوجيه كابل الطاقة إلى الخلف، بعيداً عن الإزميل.
- احتفظ بكابل الطاقة بعيداً عن الملحق. قد يؤدي التفاف كابل الطاقة حول اللقمة إلى حدوث صعقة كهربائية.
- لا تقم بلف كابل الطاقة حول جسديك.
- لا تسمح لمستخدمين قليلي الخبرة باستخدام هذه الأداة.
- قم بارتداء واقيات الأذن. التعرض للضوضاء قد يؤدي إلى فقدان السمع.
- استخدم المقابض الواردة مع الأداة. فقدان التحكم قد يؤدي إلى حدوث إصابة شخصية.
- لا تقم بالطرق على الملحقات المتحشرة باستخدام مطرقة لخلعها. فقد تؤدي الشظايا المعدنية أو الرقائق المعدنية إلى خلع اللقعات والإصابة بجروح.
- قم دوماً بإيقاف تشغيل الأداة عند الانتهاء من العمل وقبل فصل القابس.
- لا ترمم الملحقات بنفسك. يجب إجراء الترميم بالإزميل من قِبل متخصص مؤهل. حيث قد تؤدي الملحقات التي لم يتم ترميمها بشكل مناسب إلى الإصابة. يمكن إعادة شحن الملحقات البالية قليلاً فقط بواسطة التخليخ.

المخاطر المتبقية

تعتبر المخاطر التالية متأصلة في استخدام مطابق الهدم:

- الإصابات الناجمة عن ملامسة الأجزاء الساخنة من الأداة.
- على الرغم من تطبيق تعليمات السلامة ذات الصلة والتزود بأجهزة الأمان، إلا أنه لا يمكن تفادي بعض المخاطر المتبقية المحددة. وتشمل هذه المخاطر ما يلي:
- ضعف السمع.
- خطر التعرض لعصر الأصابع عند تغيير الملحق.
- المخاطر الصحية الناجمة عن استنشاق الأتربة الناشئة عند العمل في الخرسانة و/أو الأبنية.
- الصدمات الجسدية بسبب رفع وحمل المعدات الثقيلة بشكل غير صحيح.

- ب) استخدم معدات الوقاية الشخصية. قم دوماً بارتداء واقي العينين. إذ أن استخدام معدات الوقاية مثل كمامات الأتربة، وأحذية الأمان المانعة للانزلاق، والخوذة الصلبة، أو واقي الأذن للحالات ذات الصلة سيقلل من الإصابات الشخصية.
- ج) تجنب التشغيل العرضي. تأكد من أن المفتاح في وضع إيقاف التشغيل قبل التوصيل بمصدر الطاقة، و/أو مجموعة البطارية، أو التقاط أو حمل الأداة. حيث قد يؤدي حمل الأدوات الكهربائية أثناء وجود إصبعك على المفتاح أو إمداد الأدوات الكهربائية التي يكون مفتاحها بوضع التشغيل بالكهرباء إلى وقوع الحوادث.
- د) قم بإخراج أي مفتاح ضبط أو مفتاح ربط قبل تشغيل الأداة الكهربائية. فقد يؤدي ترك مفتاح الربط أو المفتاح بالجزء الدوار بالأداة الكهربائية إلى حدوث إصابة شخصية.
- هـ) تجنب مد يدك بعيداً بالجهاز. حافظ على ثبات موضع قدمك والتوازن طيلة الوقت. إذ يساعدك ذلك على التحكم بشكل أفضل في الأداة الكهربائية في المواقف المفاجئة.
- و) ارتد ملابس مناسبة. لا تقم بارتداء ملابس أو مجوهرات فضفاضة. أبعد الشعر والملابس والقفاذات عن الأجزاء المتحركة. فقد تتحسر الملابس أو المجوهرات الفضفاضة أو الشعر الطويل في الأجزاء المتحركة.
- ز) في حال توفير الأجهزة للتوصيل بوسائل استخلاص وتجميع الأتربة، فتأكد من توصيلها واستخدامها بطريقة صحيحة. حيث أن تجميع الأتربة قد يؤدي إلى تقليل المخاطر المتعلقة بالأتربة.

4) استخدام الأداة الكهربائية والعناية بها

- أ) لا تتعامل بالقوة مع الأداة الكهربائية. استخدم الأداة الكهربائية الملائمة لغرض الاستخدام الخاص بك. حيث ستنجز الأداة الكهربائية الملائمة المهمة بشكل أفضل وأكثر أمناً عند المعدل الذي صممت من أجله.
- ب) لا تستخدم الأداة الكهربائية إذا كان المفتاح لا يؤدي إلى التشغيل وإيقاف التشغيل. حيث تشكل أي أداة كهربائية لا يمكن التحكم فيها بواسطة المفتاح خطورة ويجب إصلاحها.
- ج) قم بفصل القابس من مصدر الطاقة و/أو مجموعة البطارية من الأداة الكهربائية قبل إجراء أي عمليات ضبط أو تغيير ملحقات أو تخزين الأدوات الكهربائية. نقل مثل إجراءات السلامة الوقائية هذه من خطر تشغيل الأداة الكهربائية بشكل فجائي.
- د) قم بتخزين الأدوات الكهربائية المتوقفة عن العمل بعيداً عن متناول الأطفال ولا تدع الأشخاص غير الملمين بالأداة الكهربائية أو بهذه التعليمات يقومون بتشغيل الأداة الكهربائية. إذ تعد الأدوات الكهربائية خطيرة في أيدي المستخدمين غير المدربين على استخدامها.
- هـ) حافظ على الأدوات الكهربائية. افحص للتجريح عن أي محادة غير صحيحة أو التصاق للأجزاء المتحركة، أو كسر بالأجزاء وأي حالات أخرى قد تؤثر على تشغيل الأداة الكهربائية. وفي حال وجود تلف، قم بإصلاح الأداة الكهربائية قبل الاستخدام. حيث يرجع سبب وقوع العديد من الحوادث إلى الصيانة السيئة للأدوات الكهربائية.
- و) حافظ على أدوات القطع في حالة حادة ونظيفة. حيث أن أدوات القطع التي تتم صيانتها بطريقة صحيحة ومزودة بحواف قطع حادة تتعرض بشكل أقل للتصاق ويسهل التحكم بها على نحو أكبر.
- ز) استخدم الأداة الكهربائية والملحقات ولقم الأداة وما شابه ذلك وفقاً لهذه التعليمات مع الأخذ في الاعتبار ظروف التشغيل والعمل المراد تنفيذه. إذ أن استخدام الأداة الكهربائية لعمليات مختلفة عن تلك العمليات المخصصة لها قد يؤدي إلى حالة خطيرة.

العلامات على الأداة

الصور التالية موضحة على الأداة:



اقرأ دليل التعليمات قبل الاستخدام.



قم بارتداء واقبات الأذن.



قم بارتداء واقبات العين.

وضع كود التاريخ (الشكل 1)

كود التاريخ (ف) الذي يتضمن كذلك عام التصنيع مطبوع في التجويف. مثال:

2013 XX XX
سنة التصنيع

محتويات العبوة

تحتوي العبوة على ما يلي:

- 1 مطرقة هدم
- 1 دليل التعليمات
- 1 رسم ممتد

- افحص بحثاً عن أي تلف لحق بالأداة أو الأجزاء أو الملحقات يمكن أن يكون قد حدث أثناء النقل.
- استغرق الوقت اللازم لقراءة هذا الدليل وفهمه جيداً قبل التشغيل.

الوصف (الشكل 1)

تحذير: لا تقم مطلقاً بتعديل الأداة الكهربائية أو أي جزء منها. فقد ينجم عن ذلك التلف أو الإصابة الشخصية.



- أ. مفتاح التشغيل/ إيقاف التشغيل
- ب. المقبض (المقابض الجانبية)
- ج. مثبت الأداة
- د. حامل الأداة

الملحقات الاختيارية (الشكل 3)

الأنواع المتنوعة للإزميل السداسية مقاس 28 مم متوفرة كتجهيزات اختيارية.

- هـ. الإزميل المدبب (DT6927)
- و. الإزميل البارد (DT6929)
- ز. أداة تغيير الحجم (DT6932)
- ح. إزميل المجرفة (DT6928)
- ط. ماكينة قطع الإسفلت (DT6934)
- ي. مدق القضيب الأرضي (DT6933)
- ك. مدك الساق (DT6935)
- ل. المنك اللوحي (DT6936)

استشر وكيلك لمعرفة المزيد من المعلومات حول الملحقات الملائمة.

الاستخدام المقصود

تم تصميم مطرقة الهدم D25980 لأغراض استخدامات الهدم الثقيل والتكسير والترصيع بشكل مهني في الخرسانة والطوب والحجر ومواد البناء الأخرى.

لا تستخدم في ظل الأحوال الجوية الممطرة، أو في وجود السوائل أو الغازات القابلة للاشتعال.

وتعتبر مطارق الهدم هذه من الأدوات الكهربائية المهنية. **لا تدع** الأطفال يلعبون الأداة. يكون الإشراف أمراً ضرورياً عند استخدام مشغل قليل الخبرة لهذه الأداة.

- هذا المنتج غير مخصص للاستخدام من قبل الأفراد (بما في ذلك الأطفال) الذين يعانون من قصور في القدرات الجسدية أو الحسية أو العقلية، وقلة الخبرة أو المعرفة أو المهارات ما لم يكونوا تحت إشراف من يتحمل مسؤولية سلامتهم. لا ينبغي أن يُترك الأطفال وحدهم مع هذا المنتج.

ميزة بدء التشغيل الهادئ

تتيح ميزة التشغيل الهادئ تراكم معدل التأثير ببطء أكبر، وبالتالي منع «ارتداد» الإزميل أو النقطة في حرفة البناء عند بدء التشغيل.

مقابض مقلدة للاهتزاز بشكل كامل (الشكل 1)

تمنص المخدمات الموجودة في المقابض (ب) الاهتزاز المنتقل إلى المستخدم. وهذا يعمل على تحسين راحة المستخدم أثناء التشغيل.

مفتاح التحكم في الاهتزاز النشط

يعمل مفتاح التحكم في الاهتزاز النشط على تحييد اهتزاز الارتداد الناشئ من آلية المطرقة. وينتج خفض اهتزاز اليدين والذراعين استخداماً مريحاً بشكل أكبر لفترة زمنية طويلة ويطيل عمر الوحدة.

السلامة الكهربائية

تم تصميم المحرك الكهربائي لتحمل جهد كهربائي واحد فقط. تأكد دوماً من أن مصدر إمداد الطاقة مطابق للجهد الكهربائي المبين على لوحة التصنيف.

تمتاز وبدا الأداة الخاصة بك من DEWALT بعازل مزدوج طبقاتاً لمعيار EN 60745، لذا لا حاجة للسلك الأرضي.



تحذير: يجب تشغيل الوحدات بسعة 120 فولت من خلال محول العزل الآمن من التعطل مع شاشة التأريض بين الفئات الرئيسية وغير الرئيسية.



إذا كان سلك إمداد الطاقة تالفاً، فيجب استبداله بسلك آخر معد خصيصاً متوفر لدى مراكز خدمة DEWALT.

استبدال قابس التيار الرئيسي (الشرق الأوسط وإفريقيا)

إذا استدعت الضرورة تركيب قابس تيار رئيسي، فقم بالتالي:

- تخلص بأمان من القابص القديم.
- وُصل السلك البني بطرف التوصيل النشط في القابص.
- وُصل السلك الأزرق بطرف التوصيل المحايد.
- تحذير: لا يتم إجراء أي توصيل بطرف التوصيل الأرضي.



قم باتباع التعليمات الواردة مع القوابس ذات الجودة العالية. المنصهر الموصى باستخدامه: 13 أمبير

استخدام كابل الاستطالة

إذا كان الأمر يتطلب استخدام كابل استطالة، فاستخدم كابل استطالة بثلاث سنون ملائم لدخل طاقة هذه الأداة (انظر البيانات التقنية). الحد الأدنى لحجم الموصل هو 1.5 مم² الطول الأقصى هو 30 سم. عند استخدام بكرة الكابل، قم دوماً بفك الكابل تماماً.

عمليات التجميع والضبط

تحذير: لخفض خطر التعرض للإصابة، قم بإيقاف تشغيل الوحدة، وفصل الماكينة من مصدر الطاقة قبل تركيب المحلقات وفكها، وقبل ضبط أو تغيير الإعدادات، أو عند إجراء الإصلاحات. تأكد من أن مفتاح التشغيل في وضع OFF (إيقاف التشغيل). فبدء التشغيل العرضي قد يؤدي إلى حدوث إصابة.

إدخال وإزالة الملحقات السداسية مقاس 28 مم (الأشكال من 4 إلى 6)

تستخدم هذه الآلة أزامليل بساق سداسي مقاس 28 مم. نوصي بأن تستخدم الملحقات الاحترازية فقط.

تحذير: نظراً لعدم اختيار ملحقات غير تلك المقامة من DEWALT مع هذا المنتج، يمكن أن يترتب على استخدام مثل هذه الملحقات مواقف تنسم بالخطورة. لتقليل خطر وقوع إصابة، استخدم الملحقات الموصى بها فقط من DEWALT.

قم بتنظيف ساق الإزميل.

تحذير: لا تستخدم الشحم في الآلة.

لملاءمة الإزميل مع المجرى الموجود في الساق، تابع كما يلي (الشكل 5)

1. اسحب مثبت الأداة (ج) إلى وضع الفتح.
2. امسك الإزميل أمام حامل الأداة مع توجيه المجرى (م) لأعلى.
3. أدخل ساق الإزميل في حامل الأداة (د).
4. ادفع المثبت (ج) إلى الوراء لقفل الملحق في موضعه.

لملاءمة الإزميل مع الطوق الموجود في الساق، تابع كما يلي (الشكل 6)

1. اسحب مثبت الأداة (ج) إلى وضع الفتح.
2. أدخل ساق الإزميل في حامل الأداة (د).
3. ادفع المثبت (ج) تمسكاً مع ساق الملحق لقفل الملحق في موضعه.
4. اسحب الإزميل للتحقق إذا ما كان مقللاً بطريقة صحيحة أم لا. تتطلب وظيفة الطوق أن يكون الإزميل قادراً على التحرك بشكل محوري عدة سنتيمترات عندما يتم قفلها في حامل الأداة.

لإزالة إزميل، اسحب المثبت (ج) للخلف، واسحب الإزميل خارج حامل الأداة.

تحذير: قم دوماً بارتداء القفازات عند تغيير الملحقات. قد تصبح الأجزاء المعدنية المكشوفة في الأداة والملحق ساخنة للغاية أثناء التشغيل.

التشغيل

تعليمات الاستخدام

تحذير:

- التزم دوماً بتعليمات الأمان واللوائح المعمول بها.
- كن على دراية بموقع الأنايب والأسلاك.
- استخدم ضغطاً يبلغ حوالي 20-30 كغم على الأداة. القوة المفرطة لا تؤدي إلى تسريع عملية الهدم فحسب ولكنها تقلل من أداء الأداة وقد تقصر من عمر تشغيل الأداة.

الوضع اليدوي الصحيح (الشكلان 1، و 2)

تحذير: لتقليل خطر حدوث الإصابة الشخصية الجسيمة، استخدم دوماً الوضع اليدوي الملائم كما هو موضح.

تحذير: لخفض خطر التعرض للإصابة الجسدية الجسيمة، أمسك دوماً الأداة بإحكام عند توقع حدوث رد فعل مفاجئ.

يستلزم وضع اليدين بشكل صحيح وضع يد على كل مقبض جانبي (ب).

التشغيل وإيقاف التشغيل (الشكل 1)

للتشغيل الأداة، اضغط على مفتاح التشغيل/ إيقاف التشغيل (أ). لإيقاف الأداة، حرر المفتاح.

الهدم، والترصيع، وحفر الفتوات (الأشكال من 1 إلى 6)

1. حدد الإزميل المناسب وقم بتنظيف ساقه.
2. أدخل الإزميل وتحقق إذا ما كان مقللاً بطريقة صحيحة أم لا.
3. امسك الأداة من المقبضين (ب)، وقم بتشغيلها. تعمل الأداة الآن في عملية مستمرة.

الصيانة

تم تصميم الأداة الكهربائية DEWALT الخاصة بك للعمل خلال فترة منية تطول مع أدنى حد من الصيانة. يعتمد التشغيل المرضي المتواصل على العناية الملائمة بالأداة وتنظيفها بشكل منتظم.

تحذير: لخفض خطر التعرض للإصابة، قم بإيقاف تشغيل الوحدة، وفصل الماكينة من مصدر الطاقة قبل تركيب المحلقات وفكها، وقبل ضبط أو تغيير الإعدادات، أو عند إجراء الإصلاحات. تأكد من أن مفتاح التشغيل في وضع OFF (إيقاف التشغيل). فبدء التشغيل العرضي قد يؤدي إلى حدوث إصابة.

هذا الجهاز لا يمكن خدمته من قبل المستخدم. توجه بالأداة إلى وكيل إصلاح DEWALT معتمد بعد 200 ساعة تقريباً من الاستخدام.

إذا استمرت المشكلة قبل هذه الفترة، فاتصل بوكيل إصلاح DEWALT معتمد.

حماية البيئة

تجمع منفصلاً، يجب عدم التخلص من هذا المنتج في النفايات المنزلية العادية.



إذا احتجت في أحد الأيام إلى استبدال منتج DEWALT الخاص بك، أو لم تعد هناك حاجة لاستخدامه، فلا تتخلص منه في النفايات المنزلية. اجعل هذا المنتج متوفرًا للتجميع المنفصل.

التجميع المنفصل للمنتجات والعبوات المستهلكة يتيح إعادة تدوير المواد واستخدامها مرة أخرى. إعادة استخدام المواد المعاد تدويرها يساعد على منع التلوث البيئي وتقليل الطلب على المواد الخام.



قد توفر القوانين المحلية أماكن تجميع منفصلة للمنتجات الكهربائية عن النفايات المنزلية، وفي مواقع النفايات البلدية أو بواسطة بائع التجزئة عند شراء منتج جديد.

تقدم شركة DEWALT مكالمة مخصصة لتجميع وإعادة تدوير منتجات DEWALT فوريلوغيا نهاية عمر التشغيل. للاستفادة من هذه الخدمة، الرجاء إعادة المنتج الخاص بك إلى وكيل إصلاح معتمد والذي سيقوم بتجميعه نيابة عنك.

بإمكانك التعرف على موقع أقرب وكيل إصلاح معتمد في منطقتك من خلال الاتصال بمكتب DEWALT المحلي على العنوان المحدد في هذا الدليل. بدلاً من ذلك، تتوفر قائمة من وكلاء إصلاح معتمدين تابعين لـ DEWALT مع بياناتهم التفصيلية الكاملة لخدمة ما بعد البيع وجهات الاتصال المتوفرة على الإنترنت عبر الموقع الإلكتروني: www.2helpU.com.



التشحيم

لا تحتاج الأداة الكهربائية الخاصة بك إلى أي تشحيم إضافي.



التنظيف

تحذير: قم بنفخ الأتربة والغبار خارج التجويف الرئيسي بواسطة الهواء الجاف عدد أكبر من المرات في حال مشاهدة تجمع الأتربة بداخل المنافذ الهوائية وحولها. قم بإرتداء واقي العين المعتمد وكمامة الأتربة المعتمدة عند تنفيذ هذا الإجراء.



تحذير: لا تقم مطلقاً باستخدام مذيبات أو أي مواد كيميائية قاسية أخرى لتنظيف الأجزاء غير المعدنية بالأداة. إذ قد تضعف هذه المواد الكيميائية من المواد المستخدمة في هذه الأجزاء. استخدم قطعة قماش مبللة بالماء والصابون الخفيف فقط. لا تسمح قط دخول أي سائل إلى الأداة، ولا تقم مطلقاً بغمر أي جزء من الأداة في السائل.



الملحقات الاختيارية

تحذير: نظراً لأن الملحقات بخلاف تلك التي اعتمدها DEWALT، لم تخضع للاختبار مع هذا المنتج، فإن استخدام مثل هذه الملحقات مع الأداة قد يشكل خطورة. لتقليل خطر وقوع إصابة يجب استخدام ملحقات DEWALT الموصى بها فقط مع هذا المنتج.



تحذير: يمكن تجديد هذه الأزاميل لعدد محدود فقط من المرات. وفي حالة الشك، يرجى الاتصال بالموزع للاطلاع على التوصيات.



تحذير: تأكد من أن حافة القطع لا تعرض نصول الألوان الذي يتسبب عن الضغط الأكبر من اللازم. فقد يؤدي هذا إلى إضعاف صلابة الملحق.



صيانة الملحقات (الشكل 7)

تضمن صيانة الملحقات في الوقت المناسب تحقيق أفضل النتائج في الاستخدام وعمر ملحق طويل وفعال.

قم بتجليخ الأزاميل على أقراص التجليخ. يُرجى الرجوع إلى الشكل 7 للحصول على الزوايا المناسبة للأزاميل التالية:

ن. إزميل على شكل مجرفة

س. إزميل بارد

ع. إزميل مدبب

استشر وكيلك لمعرفة المزيد من المعلومات حول الملحقات الملائمة.







Afghanistan	Ariana Hafiz Zabi Co. Ltd. Dahan Bagh Squire Karte Ariana, Kabul, Afghanistan	info@arianahafiz.com	Tel: 93-0-799331079 Fax: 93-0-700007576 / 93-0-799331079
Algeria	Sarl Outillage Corporation 08, Rue Med Boudiaf (ex TELLA Achen) Cheraga, Alger	hakim.merdjadi@outillage-dz.com lyes@outillage-dz.com Mali.faiza@outillage-dz.com; sidahmed@outillage-dz.com	Tel: 213-0-21375130 213-0-21375131 Fax: 213-0-21369667
Angola	Angoferraria, Lda. Rua Robert Shields, nº 61, Luanda, Angola	angoferraria@gmail.com sequiera.angoferraria@gmail.com	Tel: 244-222-395837 / 244-222-395034 Fax: 244-222-394790
Azerbaijan	Royalton Holdings Ltd. 41 Khagani St. Apt. 47 AZ1001 Baku- Azerbaijan	jai@royaltonholdings.com office@royaltonholdings.com	Tel: 994-12-4935544 Fax: 994-12-5980378
Egypt	ElFarab S.A.E. 15-Nabil El Wakkad Street, Dokki, Giza, Egypt	elfarab@elfarab.com adel.ezzat@elfarab.com mahmoud.elhosseiny@elfarab.com	Tel: 202-37603946 Fax: 202-33352796
Ethiopia	Seif Tewfik Sherif Arada Sub City, Kebele 01/02, Global Insurance Bldg., 2nd Flr., Room 43, P.O. Box 2525, Addis Ababa	seif@ethionet.et nawanag@ethionet.et	Tel: 251-11-1563968 251-11-1563969 Fax: 251-11-1558009
Iraq	Al-Sard Co. for General Trading Ltd Jbara Bldg. 3Flr. Al Rasheed St., Baghdad, Iraq	dewalt.service@yahoo.com	Tel: 964-18184102
Jordan	Amman West Stores-Bashiti 210 Garden St. Tla'a Ali, P.O. Box 1564 Tla Ali Amman 11953, Jordan	ali@bashitstores.com yousef@bashitstores.com	Tel: 962-6-5350009 Fax: 962-6-5350012
Kenya	Dextron Tools Ltd. P.O. Box 20121-00200, Shariff House, Kimathi Street, Nairobi	info@alibhaishariff.co.ke dextron@alibhaishariff.co.ke	Tel: 254-20-6905000 254-20-2358021 Fax: 254-20-6905111 / 254-20-6905112
Lebanon	Est. Shaya & Azar S.A.R.L. Boulevard Jdeideh - Mar Takla - Bouchrieh . P.O. Box 90545, Jdeideh. Beirut - Lebanon	shayazar@dm.net.lb	Tel: 961 1 872305 961 1 872306 Fax: 961 1 872303
Libya	North Africa Trading (El Ghoul Brothers) P.O. Box 348, 7 October Street 11 Benghazi	maryam_farooq2003@yahoo.com nagte@eim.ae dewalt_libya@yahoo.com	Tel: 218-061-3383994 Fax: 218-092-7640688
	North Africa Trading (El Ghoul Brothers) AlBarniq DeWALT Center, Mokhazin-elsukar St. ElFallah, Tripoli	dewalt_libya@yahoo.com	Tel: 218-021-3606430 Fax: 218-092-6514813
	North Africa Trading (El Ghoul Brothers) AlHilal Service Center Tawergha St., Misurata		Tel: 218-091-3221408
Mauritius	Robert Le Marie Limited Old Moka Road, Bell Village, P.O. Box 161, Port Louis	a.blackburn.rm@rmgroup.mu jm.pierrelouis.rm@rmgroup.mu	Tel: 230-212 1865 230-212 2847 Fax: 230-2080843
Morocco	Ets Louis Guillaud & Cie 31, Rue Pierre Parent, Casablanca - 21000	boumadiane.azedine@elg.ma doukkail.marouane@elg.ma	Tel: 522-301446 / 305971 / 317815 / 315576 Fax: 522-444518 / 317888
Nigeria	Meridian Power Tools Ltd. Gr. Floor, #1 Alhaji Masha Rd, Next to Teslim Balogun Stadium, Near National Stadium Surulere, Lagos, Nigeria	braj@meridian-nigeria.com	Tel: 234-1-7740431 234-1-7740410 Fax: 234-1-7913798
Pakistan	Northern Toolings (Pvt) Ltd.-Lahore 86- Railway Road, Lahore - 7 Pakistan	zhayee@northern.pk import@northern.pk sales@northern.pk	Tel: 92-423-7651220 92-423-7641675 Fax: 92-423-7641674
	Northern Toolings (Pvt) Ltd.-Karachi 224-231 Industrial Town Plaza, Shahrah-e-Liaqat, Karachi, Pakistan	karachibr@northern.pk	Tel: 92-213-2465305 92-213-2465307 Fax: 92-213-2465301
	Northern Toolings (Pvt) Ltd.-Taxila Al-Rehman Plaza, Opposite Tehsil Court, Faisal Shaheed Road, Taxila	taxilabr@northern.pk	Tel: 92-51-4545811 Fax: 92-51-4544194
South Africa	Benray Tool Wholesalers C.C. 91 Turfontein Road, Stafford, Johannesburg, 2001 P.O. Box 260037 EXCOM 2023, South Africa	dewaltservice@benray.co.za zain@benray.co.za shafiq@benray.co.za	Tel: 27-11-6838350 Fax: 27-11-6837456
Tanzania	General Motors Investment Ltd. 14 Vingunguti-Nyerere Road, P.O.Box 16541, Dar es Salaam, Tanzania	ezra@gmi-tz.com info@gmi-tz.com chiwelesa@yahoo.com	Tel: 255-22-2865022 / 2862661 / 2862671 / 2862659 Fax: 255-22-2862667
Tunisia	Ets. Mohamed Ghorbel 03 Rue 8603 Chargaia I Tunis. Postal Code 2035	slim.ghorbel@gnet.tn moh.ghorbel@gnet.tn mourad.ghorbel@gnet.tn	Tel: 216-71794248 216-71793848 Fax: 216-71770759
Uganda	The Building Center (u) Ltd. 52 Station Road, Kitgum House, P.O. Box 7436 Kampala, Uganda	tbc@africaonline.co.ug chris@tbcu.co.ug	Tel: 256-041-4234567 256-041-4259754 Fax: 256-041-4236413
Yemen	Middle East Trading Co. (METCO) 5th Flr.Hayel Saeed Anam Bldg. Al-Mugamma St. Taiz, Yemen	tamer.metco@gmail.com tamer@metcotrading.com metco@metcotrading.com sami@metcotrading.com	Tel: 967-4-213455 Fax: 967-4-219869
	Middle East Trading Co. (METCO) Mualla Dakka, Aden	tamer.metco@gmail.com tamer@metcotrading.com metco@metcotrading.com	Tel: 967-2-222670 Fax: 967-2-222670
	Middle East Trading Co. (METCO) Hayel st., Sana'a, Yemen	tamer.metco@gmail.com tamer@metcotrading.com metco@metcotrading.com	Tel: 967-1-204201 Fax: 967-1-204204

UAE	Black & Decker (Overseas) GmbH P.O. Box 5420, Dubai	service.me@blackdecker.com	Tel: 971-4 8127400 / 8127406 Fax: 971-4 2822765	
	Ideal Star Workshop Eqpt. Trading LLC P.O. Box 37116, Al Quoz, Dubai	idealeq@emirates.net.ae	Tel: 971-4 3474160 Fax: 971-4 3474157	
	Alebrah Engineering Service P.O. Box 78954, Al Qusais, Dubai	alebrah@eim.ae	Tel: 971-4 2850044 Fax: 971-4 2844802	
	Burj Al Madeena Industrial Area No. 1, opp. Pakistani Masjid P.O. Box 37635, Sharjah	dewaltuae@hotmail.com	Tel: 971-6 5337747 Fax: 971-6 5337719	
	McCoy Middle East LLC P.O. Box 25793, Sharjah	mccoy@emirates.net.ae	Tel: 971-6 5395931 Fax: 971-6 5395932	
	McCoy Middle East LLC P.O. Box 10584, Ras Al Khaimah	mccoysrak@gmail.com	Tel: 971-7 2277095 Fax: 971-7 2277096	
	Al Sukoon Gen. Trdg. Co. LLC P.O. Box 2975, Ajman	sukoon@eim.ae	Tel: 971-6 7435725 / 7438317 Fax: 971-6 7437350	
	Zillion Equipment and Spare Parts Trading LLC P.O. Box 19740, opp. Bin Sadal / Trimix Redymix Sanaiya, Al Ain	zilliontrdg@gmail.com	Tel: 971-3 7216690 Fax: 971-3 7216103	
	Light House Electrical, Abu Dhabi Branch P.O. Box 120, Abu Dhabi	dewalt_lhe@hotmail.com	Tel: 971-2 6726131 Fax: 971-2 6720667	
	Light House Electrical, Musaffah Branch P.O. Box 120, Abu Dhabi	dewalt_lhe@hotmail.com	Tel: 971-2 5548315 Fax: 971-2 5540461	
	Bahrain	Alfouz Services Co. WLL P.O. Box 26562, Tubli, Manama	alfouz@batelco.com.bh	Tel: 973 17783562 / 17879987 Fax: 973 17783479
		Kavalani & Sons W.L.L. P.O. Box 71, Sitra, Manama	info@kavalani.com pradeep@kavalani.com	Tel: 973 17732888 Fax: 973 17737379
		Kuwait	Al Omar Technical Co. P.O. Box 4062, Safat 13041, Kuwait	alexotc@usa.net
	Fawaz Al Zayani Establishment P.O. Box 42426, Shop No.18, Al Hurnaizi Commercial Complex, Khalifa Al Jassim, Shuwaikh		dewaltkuwait@hotmail.com	Tel: 965 24828710 Fax: 965 24828716
Fawaz Al Zayani Establishment Fahaheel Industrial Area, Main St., Sanaya	dewaltkuwait@hotmail.com		Tel: 965 23925830 Fax: 965 24828716	
Oman	Al Jizzi Company LLC P.O. Box 1704, P.C. 112, Ruwi	aljizied@omantel.net.om jizzi10@omantel.net.om	Tel: 968 24832618 / 24835153 Fax: 968 24831334 / 24836460	
	Al Hassan Technical & Construction Supplies Co. LLC P.O. Box 1948, P.C. 112, Ruwi	hamriya.sr@al-hassan.com abrar.h@al-hassan.com	Tel: 968 24810575 / 24837054 Fax: 968 24810287 / 24833080	
	Oman Hardware Co. LLC P.O. Box 635, Ruwi Postal Code 112	omanhard@omantel.net.om	Tel: 968 24815131 Fax: 968 24816491	
	Khimji Ramdas P.O. Box 19, Post Code 100, Ghala, Muscat	bilal.m@khimjiramdas.com	Tel: 968 24595906/ 907 Fax: 968 24852752	
	Qatar	Teyseer Industrial Supplies & Services Co. WLL 55, Al Wakalat St. (Between St. 18 & 19) Salwa Industrial Area, P.O. Box 40523 Doha	manish@tissco-qatar.com tool.service@tissco-qatar.com	Tel: 974 4581536 Fax: 974 4682024
Shaheen Electrical Works & Trading Co. WLL Gate 34, St. 44 Industrial Area P.O. Box 9756, Doha		shaheenelc@gmail.com	Tel: 974 460 02 30 / 460 05 25 Fax: 974 460 13 38	
KSA		Industrial Material Organization (IMO) P.O. Box 623, Rail Street, Riyadh	service@imo.com.sa	Tel: 966-1 4028010 Ext. 26 Tel: 966-1 8001245757 Fax: 966-1 4037970
	Fawaz Ebrahim Al Zayani Trading Est. P.O. Box 76026, Al Raka : 31952	dewaltdammam@hotmail.com	Tel: 966-3 8140914 Fax: 966-3 8140824	
	MSS (Al-Mojil Supply & Services) P.O. Box 450, Jubail 31951	mssjubail@almojilservices.com alex.chang@almojilservices.com	Tel: 966-3 3612850 / 3624487 Tel: 966-3 3621729 Fax: 966-3 3623589 / 3620783	
	Opp-Gulf Bridge Library & Riyadh House			
	EAC (Al Yousef Contg. & Trdg. Est.) P.O. Box 30377, Jeddah -21477	golamkibria77@yahoo.com	Tel: 966-2 6519912 Fax: 966-2 6511153	
	Mohamed Ahmed Bin Aff Est. P.O. Box 530, Yanbu, Al Bahr	binaffyanbu@hotmail.com	Tel: 966-4 3222626 / 3228867 Fax: 966-4 3222210	
	Garziz Trading for Bldg Mat & Decoration P.O. Box 3364, Madina	agarziz@yahoo.com	Tel: 966-4 826 14 90 / 822 76 36 Fax: 966-4 826 57 41	
	Sultan Garment Factory (RSC) P.O. Box 29912, Riyadh 11467	rscservice@digl.net.sa	Tel: 966-1 4055148 / 4042889 Fax: 966-1 4055148	
	Al Bawardi Tools & Hardware P.O. Box 112, Dammam 31411	asattar@albawardi.com nibanez@albawardi.com	Tel: 966-3 8330780 Ext. 24 Tel: 966-3 8348585 Ext. 24 Fax: 966-3 8336303	
	Al Bawardi Tools & Hardware P.O. Box 68, Riyadh 11411	rbaltao@albawardi.com asamad@albawardi.com	Tel: 966-1 4484999 Fax: 966-3 4487877	
	Al Bawardi Tools & Hardware P.O. Box 16905, Jeddah 21474	sharadji@albawardi.com fgaber@albawardi.com	Tel: 966-2 6444547 / 6439035 Tel: 966-2 6456095 Fax: 966-2 6439024	