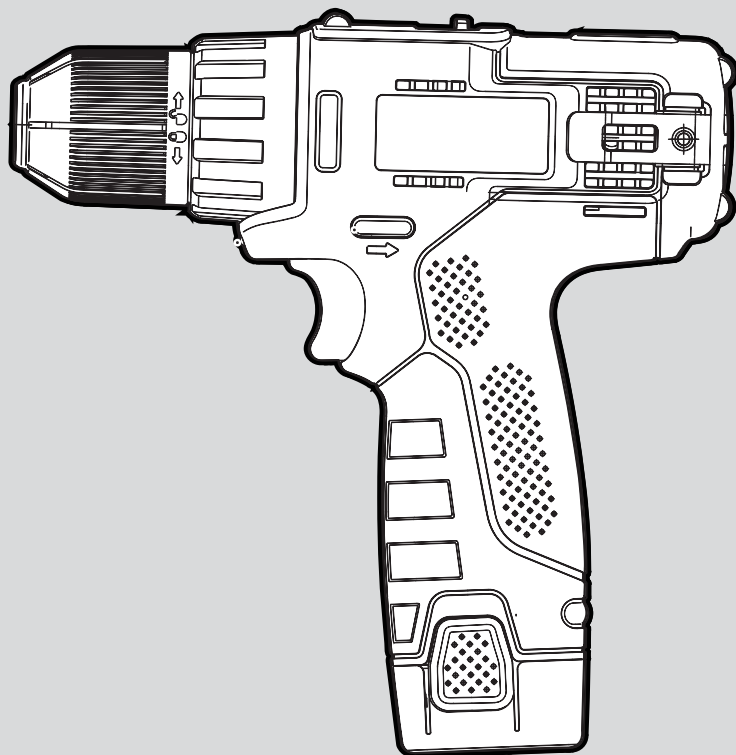
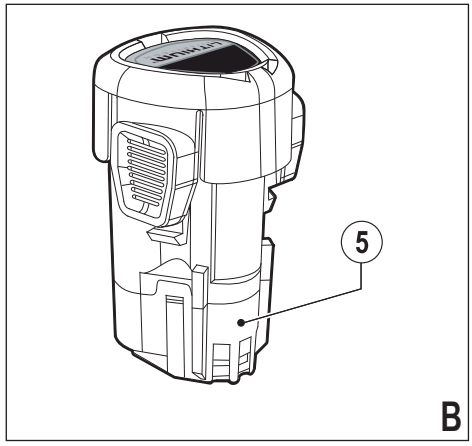
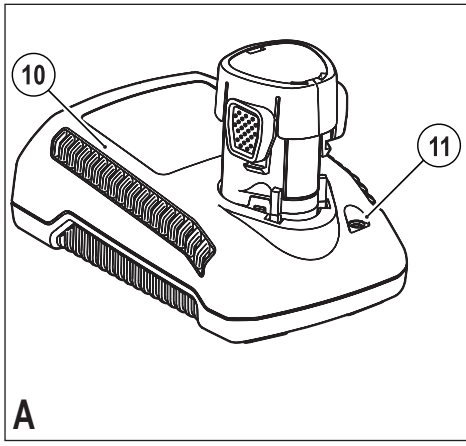
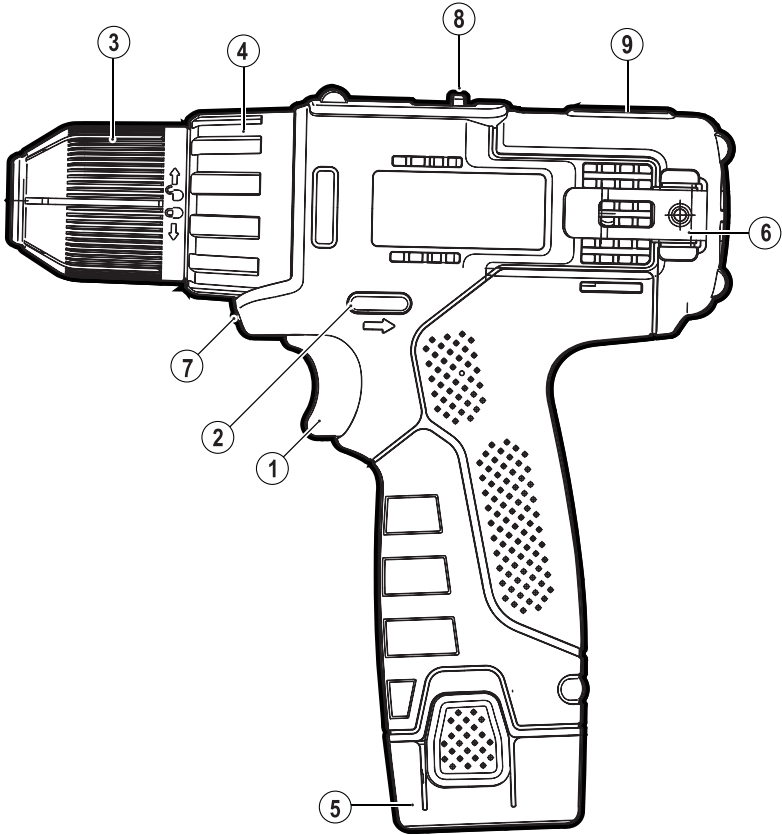


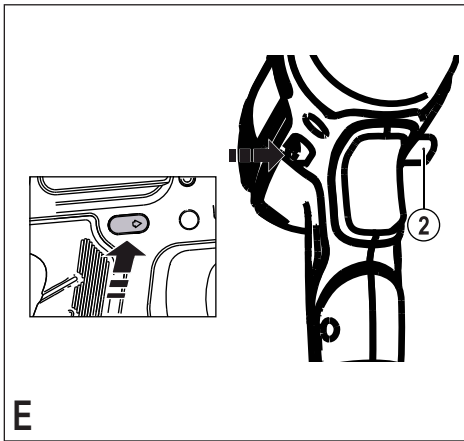
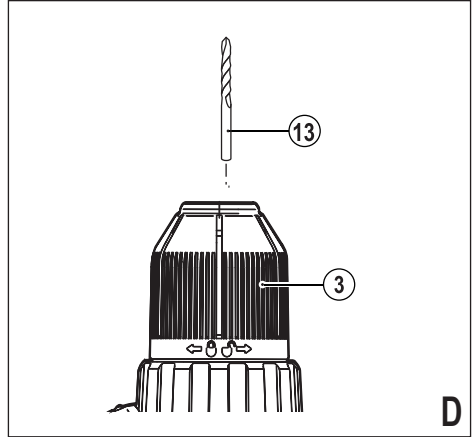
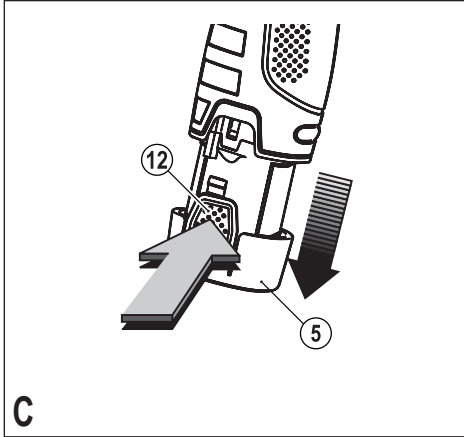
# STANLEY



**STDC001L**

English	Page 3
French	Page 13
Portuguese	Page 22
Russian	Page 31
Ukrainian	Page 44
Arabic	Page 59





## Intended use

Your STANLEY planer has been designed for planing wood, wood products and plastics. The tool is intended for hand-held use.

## Safety instructions

### General power tool safety warnings



**Warning!** Read all safety warnings and all instructions. Failure to follow the warnings and instructions listed below may result in electric shock, fire and/or serious injury.

### Save all warnings and instructions for future reference.

The term "power tool" in all of the warnings listed below refers to your mains operated (corded) power tool or battery operated (cordless) power tool.

#### 1. Work area safety

- a. **Keep work area clean and well lit.** Cluttered and dark areas invite accidents.
- b. **Do not operate power tools in explosive atmospheres, such as in the presence of flammable liquids, gases or dust.** Power tools create sparks which may ignite the dust or fumes.
- c. **Keep children and bystanders away while operating a power tool.** Distractions can cause you to lose control.

#### 2. Electrical safety

- a. **Power tool plugs must match the outlet. Never modify the plug in any way. Do not use any adapter plugs with earthed (grounded) power tools.** Unmodified plugs and matching outlets will reduce risk of electric shock.
- b. **Avoid body contact with earthed or grounded surfaces such as pipes, radiators, ranges and refrigerators.** There is an increased risk of electric shock if your body is earthed or grounded.
- c. **Do not expose power tools to rain or wet conditions.** Water entering a power tool will increase the risk of electric shock.
- d. **Do not abuse the cord. Never use the cord for carrying, pulling or unplugging the power tool. Keep**

**cord away from heat, oil, sharp edges or moving parts.** Damaged or entangled cords increase the risk of electric shock.

- e. **When operating a power tool outdoors, use an extension cord suitable for outdoor use.** Use of a cord suitable for outdoor use reduces the risk of electric shock.
- f. **If operating a power tool in a damp location is unavoidable, use a residual current device (RCD) protected supply.** Use of an RCD reduces the risk of electric shock.

#### 3. Personal safety

- a. **Stay alert, watch what you are doing and use common sense when operating a power tool. Do not use a power tool while you are tired or under the influence of drugs, alcohol or medication.** A moment of inattention while operating power tools may result in serious personal injury.
- b. **Use safety equipment. Always wear eye protection.** Safety equipment such as dust mask, non-skid safety shoes, hard hat, or hearing protection used for appropriate conditions will reduce personal injuries.
- c. **Prevent unintentional starting. Ensure the switch is in the off-position before connecting to power source and/or battery pack, picking up or carrying the tool.** Carrying power tools with your finger on the switch or energising power tools that have the switch on invites accidents.
- d. **Remove any adjusting key or wrench before turning the power tool on.** A wrench or a key left attached to a rotating part of the power tool may result in personal injury.
- e. **Do not overreach. Keep proper footing and balance at all times.** This enables better control of the power tool in unexpected situations.
- f. **Dress properly. Do not wear loose clothing or jewellery. Keep your hair, clothing and gloves away from moving parts.** Loose clothes, jewellery or long hair can be caught in moving parts.

- g. If devices are provided for the connection of dust extraction and collection facilities, ensure these are connected and properly used.** Use of dust collection can reduce dust-related hazards.
- 4. Power tool use and care**
- a. Do not force the power tool. Use the correct power tool for your application.** The correct power tool will do the job better and safer at the rate for which it was designed.
- b. Do not use the power tool if the switch does not turn it on and off.** Any power tool that cannot be controlled with the switch is dangerous and must be repaired.
- c. Disconnect the plug from the power source before making any adjustments, changing accessories, or storing power tools.** Such preventive safety measures reduce the risk of starting the power tool accidentally.
- d. Store idle power tools out of the reach of children and do not allow persons unfamiliar with the power tool or these instructions to operate the power tool.** Power tools are dangerous in the hands of untrained users.
- e. Maintain power tools. Check for misalignment or binding of moving parts, breakage of parts and any other condition that may affect the power tools operation. If damaged, have the power tool repaired before use.** Many accidents are caused by poorly maintained power tools.
- f. Keep cutting tools sharp and clean.** Properly maintained cutting tools with sharp cutting edges are less likely to bind and are easier to control.
- g. Use the power tool, accessories and tool bits etc., in accordance with these instructions and in the manner intended for the particular type of power tool, taking into account the working conditions and the work to be performed.** Use of the power tool for operations different from those intended could result in a hazardous situation.

#### 5 Battery tool use and care

- a. Recharge only with the charger specified by the manufacturer.** A charger that is suitable for one type of battery pack may create a risk of fire when used with another battery pack.

- b. Use Power tools only with specifically designated battery packs.** Use of any other battery packs may create a risk of injury and fire.
- c. When battery pack is not in use, keep it away from other metal objects, like paper clips, coins, keys, nails, screws, or other small metal objects, that can make a connection from one terminal to another.** Shorting the battery terminals together may cause burns or a fire.
- d. Under abusive conditions, liquid may be ejected from the battery; avoid contact. If contact accidentally occurs, flush with water. If liquid contacts eyes, additionally seek medical help.** Liquid ejected from the battery may cause irritation or burns.
- 6. Service**
- a. Have your power tool serviced by a qualified repair person using only identical replacement parts.** This will ensure that the safety of the power tool is maintained.

#### Additional power tool safety warnings



**Warning!** Additional safety warnings for drills and impact drills

- **Wear ear protectors with impact drills.** Exposure to noise can cause hearing loss.
- **Use auxiliary handles supplied with the tool.** Loss of control can cause personal injury.
- **Hold power tool by insulated gripping surfaces when performing an operation where the cutting accessory may contact hidden wiring.** Cutting accessory contacting a "live" wire may make exposed metal parts of the power tool "live" and could give the operator an electric shock.
- **Hold power tool by insulated gripping surfaces when performing an operation where the fastener may contact hidden wiring.** Fasteners contacting a "live" wire may make exposed metal parts of the power tool "live" and could give the operator an electric shock.
- **Use clamps or another practical way to secure and support the workpiece to a stable platform.** Holding the work by hand or against your body leaves it unstable and may lead to loss of control.

- Before drilling into walls, floors or ceilings, check for the location of wiring and pipes.
- Avoid touching the tip of a drill bit just after drilling, as it may be hot.
- This tool is not intended for use by persons (including children) with reduced physical, sensory or mental capabilities, or lack of experience and knowledge, unless they have been given supervision or instruction concerning use of the appliance by a person responsible for their safety. Children should be supervised to ensure that they do not play with the appliance.
- The intended use is described in this instruction manual. The use of any accessory or attachment or performance of any operation with this tool other than those recommended in this instruction manual may present a risk of personal injury and/or damage to property.

### Safety of others

- This appliance is not intended for use by persons (including children) with reduced physical, sensory or mental capabilities, or lack of experience and knowledge, unless they have been given supervision or instruction concerning use of the appliance by a person responsible for their safety.
- Children should be supervised to ensure that they do not play with the appliance.









### Residual risks.

Additional residual risks may arise when using the tool which may not be included in the enclosed safety warnings. These risks can arise from misuse, prolonged use etc. Even with the application of the relevant safety regulations and the implementation of safety devices, certain residual risks can not be avoided. These include:

- Injuries caused by touching any rotating/moving parts.
- Injuries caused when changing any parts, blades or accessories.
- Injuries caused by prolonged use of a tool. When using any tool for prolonged periods ensure you take regular breaks.
- Impairment of hearing.
- Health hazards caused by breathing dust developed when using your tool (example:- working with wood, especially oak, beech and MDF.)

### Labels on tool

The label on your tool may include the following symbols:

	Read Instructions Manual	Hz ..... Hertz		Class II Construction
	Use Eye Protection	W ..... Watts		Earthing Terminal
	Use Ear Protection	min ..... minutes		Safety Alert Symbol
			..... Alternating Current	
			..... Direct Current	
V ..... Volts		...../min..	Revolutions or Reciprocation per minute	
A ..... Amperes		n <sub>0</sub> .....	No-Load Speed	

### Position of date barcode

The Date Code, which also includes the year of manufacture, is printed into the housing.

Example:

2014 XX JN  
Year of manufacturing

### Additional safety instructions for batteries and chargers

#### Batteries

- Never attempt to open for any reason.
- Do not expose the battery to water.
- Do not store in locations where the temperature may exceed 40 °C.
- Charge only at ambient temperatures between 10 °C and 40 °C.
- Charge only using the charger provided with the tool.
- When disposing of batteries, follow the instructions given in the section "Protecting the environment".



Do not attempt to charge damaged batteries.

#### Chargers

- Use your STANLEY charger only to charge the battery in the tool with which it was supplied. Other batteries could burst, causing personal injury and damage.
- Never attempt to charge non-rechargeable batteries.
- Have defective cords replaced immediately.

- Do not expose the charger to water.
- Do not open the charger.
- Do not probe the charger.



The charger is intended for indoor use only.



Read the instruction manual before use.

## Electrical safety



Your charger is double insulated; therefore no earth wire is required. Always check that the mains voltage corresponds to the voltage on the rating plate. Never attempt to replace the charger unit with a regular mains plug.

- If the supply cord is damaged, it must be replaced by the manufacturer or an authorised STANLEY Service Centre in order to avoid a hazard.

## Features

This tool includes some or all of the following features.

1. Variable speed switch
2. Forward/reverse slider
3. Chuck
4. Torque adjustment collar
5. Battery
6. Belt clip
7. LED work light
8. Speed selector
9. Magnetic bit holder

## Fig. A

10. Charger
11. Charging indicator

## Assembly

**Warning!** Before assembly, remove the battery from the tool.

## Fitting and removing the battery (fig c)

- To fit the battery (5), line it up with the receptacle on the tool. Slide the battery into the receptacle and push until the battery snaps into place.
- To remove the battery, push the release buttons (12) while at the same time pulling the battery out of the receptacle.

## Fitting and removing a drill bit or screwdriver bit (fig. D)

This tool is fitted with a keyless chuck to allow for an easy exchange of bits.

- Lock the tool by setting the forward/reverse slider (2) to the centre position.
- Grasp the chuck (3) and rotate it in the counterclockwise direction, as viewed from the chuck end.
- Insert the bit shaft (13) into the chuck.
- Firmly tighten the chuck by rotating it in the clockwise direction as viewed from the chuck end.

**Warning!** Do not attempt to tighten drill bits (or any other accessory) by gripping the front part of the chuck and turning the tool on. Damage to the chuck and personal injury may occur when changing accessories in this manner.

## Use

**Warning!** Let the tool work at its own pace. Do not overload.

## Charging the battery (fig. A)

The battery needs to be charged before first use and whenever it fails to produce sufficient power on jobs that were easily done before. The battery may become warm while charging; this is normal and does not indicate a problem.

**Warning!** Do not charge the battery at ambient temperatures below 10 °C or above 40 °C. Recommended charging temperature: approx. 24 °C.

**Note: The charger will not charge a battery if the cell temperature is below approximately 10 °C or above 40 °C. The battery should be left in the charger and the charger will begin to charge automatically when the cell temperature warms up or cools down.**

- To charge the battery (5), insert it into the charger (10). The battery will only fit into the charger in one way. Do not force.. Be sure that the battery is fully seated in the charger.
- Plug in the charger and switch on at the mains.

The charging indicator (11) will flash green continuously (slowly).

The charge is complete when the charging indicator (11) lights green continuously. The charger and the battery can be left connected indefinitely with the LED illuminated. The LED will change to flashing green (charging) state as the charger occasionally tops up the battery charge. The charging indicator (11) will be lit as long as the battery is connected to the plugged-in charger.

- Charge discharged batteries within 1 week. Battery life will be greatly diminished if stored in a discharged state.

### Leaving the battery in the charger

The charger and battery pack can be left connected with the LED glowing indefinitely. The charger will keep the battery pack fresh and fully charged.

### Charger diagnostics

If the charger detects a weak or damaged battery, the charging indicator (11) will flash red at a fast rate. Proceed as follows:

- Re-insert the battery (5).
- If the charging indicators continues flashing red at a fast rate, use a different battery to determine if the charging process works properly.
- If the replaced battery charges correctly, the original battery is defective and should be returned to a service centre for recycling.
- If the new battery gives the same indication as the original battery, take the charger to be tested at an authorised service centre.

**Note: It may take as long as 60 minutes to determine that the battery is defective. If the battery is too hot or too cold, the LED will alternately blink red, fast and slow, one flash at each speed and repeat**

### Selecting the direction of rotation (fig. E)


For drilling and for tightening screws, use forward (clockwise) rotation. For loosening screws or removing a jammed drill bit, use reverse (counterclockwise) rotation.

- To select forward rotation, push the forward/reverse slider (2) to the left.

- To select reverse rotation, push the forward/reverse slider to the right.
- To lock the tool, set the forward/reverse slider into the centre position.

### Selecting the torque

This tool is fitted with a collar to set the torque for various screwdriving and drilling applications. Large screws and hard workpiece materials require a higher torque setting than small screws and soft workpiece materials. For the definition of the symbol refer to the listing below.

- For drilling in wood, metal and plastics, set the torque adjustment collar (4) to the  symbol.
- For screwdriving, set the collar to the desired setting. If you do not yet know the appropriate setting, proceed as follows:
  - Set the torque adjustment collar (4) to the lowest torque setting.
  - Tighten the first screw.
  - If the clutch ratchets before the desired result is achieved, increase the collar setting and continue tightening the screw. Repeat until you reach the correct setting. Use this setting for the remaining screws.

### Speed selector

- For drilling in steel and for screwdriving applications, slide the speed selector (8) towards the rear of the tool (1st gear).
- For drilling in materials other than steel, slide the speed selector (8) towards the front of the tool (2nd gear).

### Drilling/screwdriving

- Select forward or reverse rotation using the forward/reverse slider (2).
- To switch the tool on, press the switch (1). The tool speed depends on how far you press the switch.
- To switch the tool off, release the switch.

### LED work light

The LED work light (7) is activated automatically when the trigger is depressed. The LED work light will illuminate when the trigger is partially depressed, before the unit begins running.



## Hints for optimum use

### Drilling

- Always apply a light pressure in a straight line with the drill bit.
- Just before the drill tip breaks through the other side of the workpiece, decrease pressure on the tool.
- Use a block of wood to back up workpieces that may splinter.
- Use spade bits when drilling large diameter holes in wood.
- Use HSS drill bits when drilling in metal.
- Use masonry bits when drilling in soft masonry.
- Use a lubricant when drilling metals other than cast iron and brass.
- Make an indentation using a centre punch at the centre of the hole to be drilled in order to improve accuracy.

### Screwdriving

- Always use the correct type and size of screwdriver bit.
- If screws are difficult to tighten, try applying a small amount of washing liquid or soap as a lubricant.
- Always hold the tool and screwdriver bit in a straight line with the screw.

### Maintenance

Your STANLEY tool has been designed to operate over a long period of time with a minimum of maintenance. Continuous satisfactory operation depends upon proper tool care and regular cleaning.

Your charger does not require any maintenance apart from regular cleaning.

**Warning!** Before performing any maintenance on the tool, remove the battery from the tool. Unplug the charger before cleaning it.

- Regularly clean the ventilation slots in your tool and charger using a soft brush or dry cloth.
- Regularly clean the motor housing using a damp cloth. Do not use any abrasive or solvent-based cleaner.
- Regularly open the chuck and tap it to remove any dust from the interior.

### Batteries



Run the battery down completely, then remove it from the tool.

- NiCd, NiMH and Li-Ion batteries are recyclable. Take them to any authorised repair agent or a local recycling station.

### Technical data

STDC001L		
Voltage	V <sub>DC</sub>	10.8
No-load speed	/min	0-315, 0-1200
Max. torque (PTI Rating)	Nm	27
Chuck capacity	mm	10
<b>Max Drilling capacity</b>		
Steel/wood	mm	10/25
Weight	kg	1.1
<b>Charger</b>		
Input Voltage	V <sub>AC</sub>	220-240
Output Voltage	V <sub>DC</sub>	10.8
Output Curren(DC)	A	2
Approx. charge time	min	30
<b>Battery</b>		
Voltage	V <sub>DC</sub>	10.8
Capacity	Ah	1.5
Type		Li-Ion

## Protecting the environment



Separate collection. This product must not be disposed of with normal household waste.

Should you find one day that your STANLEY product needs replacement, or if it is of no further use to you, do not dispose of it with household waste. Make this product available for separate collection.



Separate collection of used products and packaging allows materials to be recycled and used again.

Re-use of recycled materials helps prevent environmental pollution and reduces the demand for raw materials.

Local regulations may provide for separate collection of electrical products from the household, at municipal waste sites or by the retailer when you purchase a new product. STANLEY provides a facility for the collection and recycling of STANLEY products once they have reached the end of their working life. To take advantage of this service please return your product to any authorised repair agent who will collect them on our behalf.

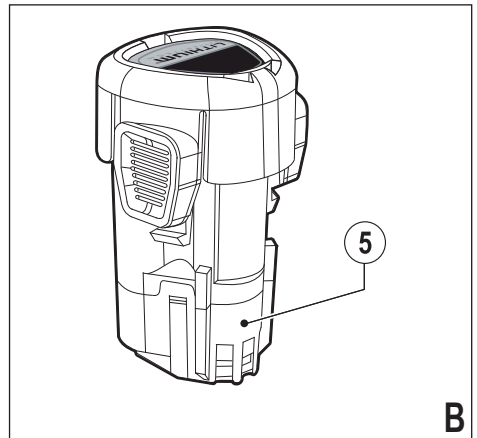
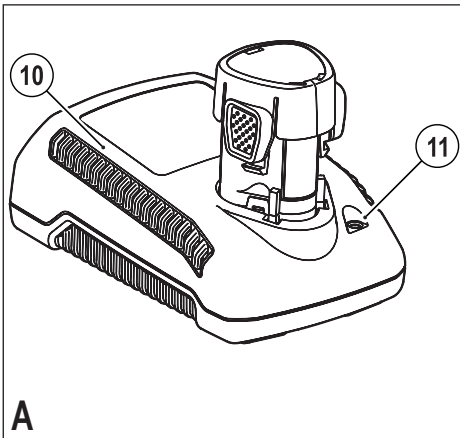
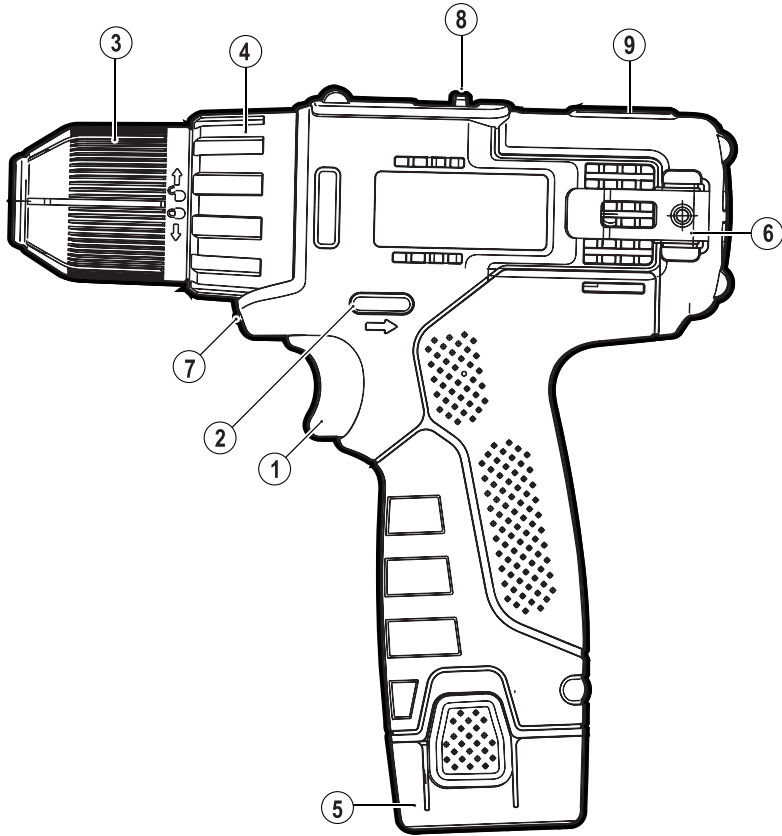
You can check the location of your nearest authorised repair agent by contacting your local STANLEY office at the address indicated in this manual. Alternatively, a list of authorised STANLEY repair agents and full details of our after-sales service and contacts are available on the Internet at: [www.2helpU.com](http://www.2helpU.com)

## Two years full warranty

If your STANLEY product becomes defective due to faulty materials or workmanship within 24 months from the date of purchase, STANLEY Europe guarantees to replace all defective parts free of charge or – at our discretion – replace the unit free of charge provided that:

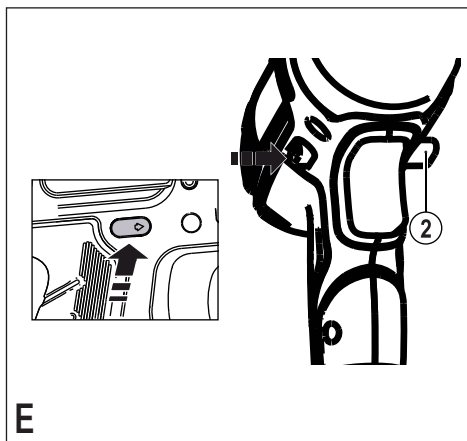
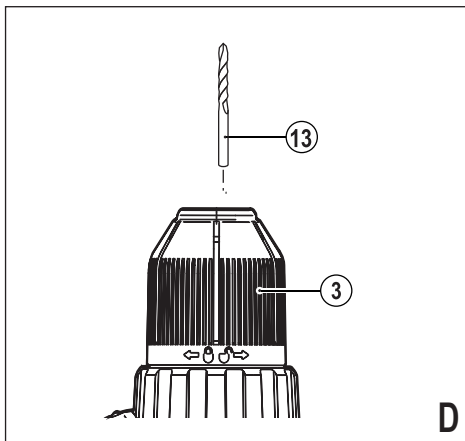
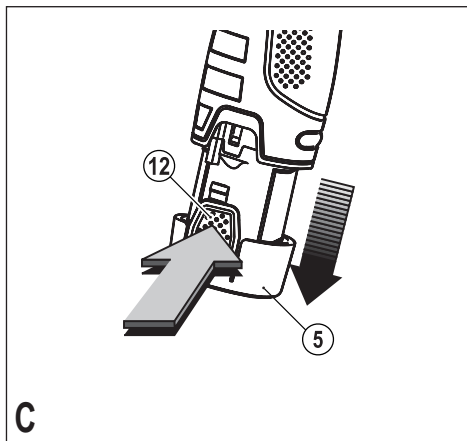
- The product has not been misused and has been used in accordance with the instruction manual.
- The product has been subject to fair wear and tear;
- Repairs have not been attempted by unauthorised persons;
- Proof of purchase is produced.
- The STANLEY product is returned complete with all original components

If you wish to make a claim, contact your seller or check the location of your nearest authorised STANLEY repair agent in the STANLEY catalogue or contact your local STANLEY office at the address indicated in this manual. A list of authorised STANLEY repair agents and full details of our after sales service is available on the internet at: [www.stanleytools.com](http://www.stanleytools.com)



A

B



## Utilisation prévue

Votre raboteuse STANLEY a été spécialement conçue pour raboter le bois, les produits du bois et le plastique. Cet outil a été conçu pour une utilisation manuelle.

## Consignes de sécurité

### Consignes générales de sécurité concernant les outils électroportatifs



**Attention! Lire avec attention tous les avertissements et toutes les instructions.** Le non-respect des avertissements et des instructions indiquées ci-dessous peut entraîner un choc électrique, un incendie et/ou des blessures graves

### Conservez ces consignes et ces instructions pour référence ultérieure.

La notion "d'outil électroportatif" mentionnée par la suite se rapporte à des outils électriques raccordés au secteur (avec câble) ou fonctionnant avec piles (sans fil).

#### 1. Sécurité de la zone de travail

- a. **Maintenir la zone de travail propre et bien éclairée.** Un lieu de travail en désordre ou mal éclairé augmente le risque d'accidents.
- b. **Ne pas utiliser d'outils électroportatifs dans un environnement présentant des risques d'explosion ni en présence de liquides, gaz ou poussières inflammables.** Les outils électroportatifs génèrent des étincelles risquant d'enflammer les poussières ou les vapeurs.
- c. **Pendant l'utilisation d'un outil électroportatif, les enfants et autres personnes présentes doivent rester éloignés.** En cas d'inattention, vous risquez de perdre le contrôle de l'outil.

#### 2. Sécurité électrique

- a. **La fiche de l'outil électrique doit être compatible avec la prise d'alimentation. Ne modifiez la fiche en aucun cas. N'utilisez pas d'adaptateurs avec des outils ayant une prise de terre.** Le respect de ces consignes réduit le risque de choc électrique.
- b. **Éviter le contact physique avec des surfaces mises à la terre telles que tuyaux, radiateurs, fours et réfrigérateurs.** Le risque de choc électrique augmente si votre corps est relié à la terre.
- c. **Ne pas exposer les outils électroportatifs à la pluie ou à l'humidité.** La pénétration d'eau dans un outil électroportatif augmente le risque de choc électrique.
- d. **Ne pas maltraiter le câble d'alimentation. Ne jamais utiliser le câble pour porter l'outil, et ne le tirez pas**

**pour débrancher l'outil. Maintenir le câble éloigné des sources de chaleur, de la graisse, des bords coupants et des pièces en rotation.** Un câble endommagé ou emmêlé augmente le risque de choc électrique.

- e. **Lorsque vous utilisez l'outil électroportatif à l'extérieur, utilisez une rallonge homologuée pour une utilisation à l'extérieur.** L'utilisation d'une rallonge électrique homologuée pour les travaux à l'extérieur réduit le risque de choc électrique.
  - f. **Si l'outil doit être utilisé dans un endroit humide, utilisez un dispositif différentiel à courant résiduel (DDR).** L'utilisation d'un tel dispositif réduit le risque de choc électrique. Remarque: Le terme "dispositif différentiel à courant résiduel (DDR)" peut être remplacé par "disjoncteur de fuite à la terre (DDFT)" ou par "interrupteur différentiel de sécurité (ELCB)".
- #### 3. Sécurité personnelle
- a. **Restez vigilant, surveillez ce que vous faites et faites preuve de bon sens quand vous utilisez un outil. N'utilisez pas un outil électroportatif lorsque vous êtes fatigué ou après avoir consommé de l'alcool ou pris des médicaments.** Un moment d'inattention en utilisant l'outil peut entraîner de graves blessures.
  - b. **Portez un équipement de protection. Portez toujours des lunettes de protection. Selon le travail à effectuer, le port d'un équipement de protection tel que masque anti-poussières, chaussures de sécurité antidérapantes, casque ou protection auditive, réduit le risque de blessures.**
  - c. **Évitez tout démarrage imprévu. L'interrupteur de l'outil doit être en position d'arrêt (off) avant d'effectuer le branchement à l'alimentation et/ou au bloc batterie, de ramasser l'outil ou de le porter.** Porter ou brancher un outil électrique dont l'interrupteur est en position Marche (on) est une invite à l'accident.
  - d. **Retirez les outils ou les clés de réglage avant de mettre l'outil en marche.** Une clé ou un outil se trouvant sur une partie en rotation peut causer des blessures.
  - e. **Adoptez une position confortable. Adoptez une position stable et gardez votre équilibre en permanence.** Vous contrôlerez mieux l'outil dans des situations inattendues.
  - f. **Portez des vêtements appropriés. Ne portez pas de vêtements amples ou de bijoux. N'approchez pas les cheveux, vêtements ou gants des pièces en mouvement.** Les vêtements amples, les bijoux ou les cheveux longs peuvent s'accrocher dans les pièces en mouvement.

g. En cas d'utilisation d'appareils servant à aspirer ou à recueillir les poussières, assurez-vous qu'ils sont correctement raccordés et utilisés. L'utilisation de tels dispositifs réduit les dangers dus aux poussières.

#### 4. Utilisation des outils électroportatifs et précautions

a. Respectez la capacité de l'outil. Utilisez l'outil approprié pour le travail à effectuer. Avec un outil approprié, vous travaillerez mieux et en toute sécurité.

b. N'utilisez pas un outil électroportatif dont l'interrupteur marche/arrêt est défectueux. Un outil électroportatif qui ne répond pas à la commande marche/arrêt est dangereux et doit être réparé.

c. Retirez la fiche de la prise de courant et/ou débranchez le bloc-batterie avant d'effectuer des réglages, de changer les accessoires ou de ranger l'outil. Cette mesure de précaution empêche de mettre l'outil en marche accidentellement.

d. Rangez les outils électroportatifs hors de la portée des enfants et les personnes ne connaissant pas l'outil ne doivent en aucun cas l'utiliser. Les outils électroportatifs sont dangereux lorsqu'ils sont utilisés par des personnes non initiées.

e. Entretenez les outils électroportatifs. Vérifiez que les parties en mouvement fonctionnent correctement et qu'elles ne sont pas coincées. Vérifiez qu'il n'y a pas de pièces cassées ou endommagées susceptibles de nuire au bon fonctionnement de l'outil. S'il est endommagé, faites réparer l'outil avant de l'utiliser. De nombreux accidents sont la conséquence d'outils mal entretenus.

f. Les outils de coupe doivent toujours être aiguisés et propres. Des outils soigneusement entretenus avec des bords tranchants bien aiguisés se coincent moins souvent et peuvent être guidés plus facilement.

g. Utilisez l'outil électroportatif, les accessoires et les forets, etc., conformément à ces instructions et de la manière prévue pour ce type d'outil électroportatif, en tenant compte des conditions de travail et des tâches à effectuer. L'utilisation des outils électroportatifs à d'autres fins que celles prévues peut entraîner des situations dangereuses.

#### 5. Utilisation de la batterie et précautions

a. Ne rechargez qu'avec le chargeur proposé par le fabricant. Un chargeur destiné à un type de bloc-batterie risque de provoquer un incendie s'il est utilisé avec un bloc-batterie différent.

b. N'utilisez les outils électroportatifs qu'avec le bloc-batterie approprié. L'utilisation d'un autre

bloc-batterie peut provoquer des blessures ou être à l'origine d'un incendie.

c. Quand le bloc-batterie n'est pas utilisé, éloignez-le d'objets en métal comme des trombones, des pièces de monnaie, des clés, des pointes, des vis ou autres petits objets qui pourraient établir une connexion d'une borne à l'autre. Un tel court-circuit peut être à l'origine d'un incendie ou de brûlures.

d. En cas d'utilisation excessive, le liquide peut sortir de la batterie; évitez tout contact. Si vous n'avez pu éviter le contact, rincez à l'eau. En cas de contact avec les yeux, après avoir rincé à l'eau consultez un médecin. Le liquide sortant des batteries peut causer des irritations ou des brûlures.

#### 6. Réparations

a. Faites réparer votre outil électroportatif uniquement par du personnel qualifié et seulement avec des pièces de rechange identiques. Cela garantira le maintien de la sécurité de votre outil.

### Consignes de sécurité supplémentaires pour les outils électroportatifs



**Attention!** Instructions de sécurité supplémentaires pour les perceuses et les perceuses à percussion

- Portez des protecteurs auditifs avec les perceuses à percussion. L'exposition au bruit peut entraîner une perte auditive.
- Utilisez les poignées auxiliaires lorsqu'elles sont fournies avec l'outil. Une perte de contrôle peut entraîner des blessures corporelles.
- Tenir l'outil par les surfaces isolées prévues à cet effet pendant toute utilisation où l'organe de coupe pourrait entrer en contact avec des fils électriques cachés. Tout contact de l'organe de coupe avec un fil sous tension peut mettre les parties métalliques exposées de l'outil sous tension et électrocuter l'utilisateur.
- Tenir l'outil par les surfaces isolées prévues à cet effet pendant toute utilisation où l'élément de fixation pourrait entrer en contact avec des fils électriques cachés. Tout contact de l'élément de fixation avec un fil sous tension peut mettre les parties métalliques exposées de l'outil sous tension et électrocuter l'utilisateur.
- Utilisez des pinces de serrage ou tout autre dispositif de fixation pour sécuriser la pièce à usiner sur un support stable. Tenir la pièce à usiner à la main ou contre son corps la rend instable et peut conduire à une perte de contrôle.

- Avant de percer les murs, les planchers ou les plafonds, vérifiez l'emplacement des fils électriques et des tuyaux.
- Evitez de toucher l'extrémité d'un foret juste après avoir percé car il peut être chaud.
- Cet appareil ne doit pas être utilisé par des personnes (y compris les enfants) ayant des déficiences physiques, sensorielles ou mentales. Cette consigne s'applique aussi aux personnes manquant d'expérience et de connaissance du matériel, à moins que celles-ci n'aient reçu les instructions appropriées ou ne soient encadrées par une personne responsable de leur sécurité pour utiliser l'appareil. Ne laissez jamais les enfants sans surveillance pour éviter qu'ils ne jouent avec cet appareil.
- Ce manuel décrit la manière d'utiliser cet appareil. L'utilisation d'un accessoire ou d'une fixation, ou l'utilisation de cet appareil à d'autres fins que celles recommandées dans ce manuel peut présenter un risque de blessures corporelles et/ou provoquer des dégâts matériels.

## Sécurité d'autrui

- Cet appareil ne doit pas être utilisé par des personnes (y compris les enfants) ayant des déficiences physiques, sensorielles ou mentales. Cette consigne s'applique aussi aux personnes manquant d'expérience et de connaissance du matériel, à moins que celles-ci n'aient reçu les instructions appropriées ou ne soient encadrées par une personne responsable de leur sécurité pour utiliser l'appareil.
- Ne laissez jamais les enfants sans surveillance pour éviter qu'ils ne jouent avec cet appareil.








## Risques résiduels.

L'utilisation d'un outil peut entraîner des risques résiduels supplémentaires non mentionnés dans les consignes de sécurité. Ces risques peuvent survenir si l'outil est mal utilisé, si l'utilisation est prolongée, etc. Malgré l'application des normes de sécurité correspondantes et la présence de dispositifs de sécurité, certains risques résiduels ne peuvent être évités. Ceci comprend:

- Les blessures dues au contact avec une pièce mobile/en rotation.
- Les blessures causées en changeant les pièces, lames ou accessoires.
- Les blessures dues à l'utilisation prolongée d'un outil. Une utilisation prolongée d'un outil nécessite des pauses régulières.
- La déficience auditive.
- Les risques pour la santé causés par l'inhalation de poussières produites pendant l'utilisation de l'outil (par exemple: le travail du bois, surtout le chêne, le hêtre et les panneaux en MDF).

## 6. Etiquettes apposées sur l'outil

L'étiquette apposée sur votre outil peut contenir les symboles suivants:

	Lire le manuel d'instructions	Hz ..... Hertz		..... Construction de classe II
	Utiliser une protection oculaire	W ..... Watts		..... Borne de terre
	Utiliser des protections auditives	min ..... minutes		..... Symbole d'alerte de sécurité
V ..... Volts			..... Courant alternatif	..... Rotations par minute
A ..... Ampères		----- Courant continu		
		n <sub>0</sub> ..... Vitesse à vide		

## Position of date barcode

Le code de la date, comprenant aussi l'année de fabrication, est imprimé sur le boîtier de l'outil.

Exemple:

2014 XX JN  
Année de fabrication

## Instructions de sécurité supplémentaires pour les batteries et les chargeurs

### Batteries

- Ne tentez jamais de l'ouvrir pour quelque raison que ce soit.
- Ne mettez pas la batterie en contact avec de l'eau.
- Ne la stockez pas dans un endroit où la température peut être supérieure à 40 °C.
- Chargez uniquement à température ambiante entre 10 °C et 40 °C.
- Chargez uniquement en utilisant le chargeur fourni avec l'outil.
- Lorsque vous jetez les batteries, suivez les instructions données au chapitre "Protection de l'environnement".



Ne pas charger une batterie endommagée.

### Chargeurs

- Utilisez uniquement votre chargeur STANLEY pour charger les batteries fournies avec l'outil. D'autres batteries pourraient exploser et causer des dommages ou des blessures.
- Ne tentez jamais de charger des batteries non-rechargeables.
- Remplacez immédiatement les fils électriques défectueux.

- Ne mettez pas le chargeur en contact avec l'eau.
- N'ouvrez pas le chargeur.
- Ne testez pas le chargeur.



Le chargeur est conçu pour être utilisé uniquement à l'intérieur.



Lire le manuel d'instructions avant l'utilisation.

## Sécurité électrique



Votre chargeur est doublement isolé, par conséquent, aucun fil de mise à la terre n'est nécessaire. Vérifiez si le voltage mentionné sur

la plaque signalétique de l'outil correspond bien à la tension du secteur. Ne tentez jamais de remplacer le chargeur par une prise de courant standard.

- Si le câble d'alimentation est endommagé, il doit être remplacé par le fabricant ou par un centre de réparation agréé STANLEY afin d'éviter tout accident.

## Caractéristiques

Cet outil comprend toutes ou certaines des caractéristiques suivantes.

1. Interrupteur à vitesse variable
2. Sélecteur de rotation droite/gauche
3. Mandrin
4. Bague de réglage du couple
5. Batterie
6. Clip de ceinture
7. Lampe de travail LED
8. Sélecteur de vitesse
9. Porte-embout magnétique

## Fig. A

10. Chargeur
11. Témoin de charge

## Assemblage

**Attention!** Avant l'assemblage, retirez la batterie de l'outil.

## Mise en place et retrait de la batterie (fig. c)

- Pour mettre la batterie (5) en place, alignez-la avec le boîtier de l'outil. Faites glisser la batterie dans le boîtier et poussez-la jusqu'à ce qu'elle s'enclenche.
- Pour retirer la batterie, appuyez sur les boutons de dégagement (12) tout en retirant la batterie du boîtier.

## Installation et retrait d'un foret de perçage ou de vissage (fig. D)

Cet outil est équipé d'un mandrin sans clé pour vous permettre de changer les forets plus rapidement.

- Verrouillez l'outil en réglant le sélecteur de rotation droite/gauche (2) sur la position centrale.
- Saisissez le mandrin (3) et faites-le tourner dans le sens antihoraire, en regardant de l'extrémité du mandrin.
- Insérez la tige du foret (13) dans le mandrin.
- Serrez fermement le mandrin en le faisant tourner dans le sens horaire en regardant de l'extrémité du mandrin.

**Attention!** N'essayez pas de serrer les forets (ou un autre accessoire) en saisissant la partie avant du mandrin et en démarrnant l'outil. Si vous changez un accessoire de cette façon, vous risquez d'endommager le mandrin et de vous blesser.

## Utilisation

**Attention!** Laissez l'outil fonctionner à sa propre vitesse. Ne le surchargez pas.

## Mise en charge de la batterie (fig. A)

La batterie doit être chargée avant la première utilisation et à chaque fois qu'elle ne produit pas une puissance suffisante pour des travaux facilement effectués auparavant. La batterie peut chauffer pendant la charge; cela est normal et n'indique pas de problème particulier.

**Attention!** Ne chargez pas la batterie si la température ambiante est inférieure à 10 °C ou supérieure à 40 °C. Température de charge recommandée: environ 24 °C.

**Remarque:** Le chargeur ne chargera pas le bloc-batterie si la température de l'élément est inférieure à environ 10 °C ou supérieure à 40 °C. La batterie doit rester dans le chargeur et le chargeur commence automatiquement la charge dès que la température de l'élément se réchauffe ou se refroidit.

- Pour charger la batterie (5), insérez-la dans le chargeur (10). La batterie ne rentrera dans le chargeur que d'une seule façon. Ne forcez pas. Assurez-vous que la batterie est complètement enclenchée dans le chargeur.
- Branchez le chargeur sur le secteur.



Le témoin de charge (11) clignote en vert de façon lente et continue.

La charge est terminée lorsque le témoin de charge (11) reste vert et allumé. Le chargeur et la batterie peuvent rester connectés en permanence avec le témoin LED allumé. Le témoin LED clignote en vert dès que le chargeur détecte qu'il faut compléter la charge de la batterie. Le témoin de charge (11) reste allumé aussi longtemps que la batterie est connectée au chargeur et que celui-ci est branché au secteur.

- Rechargez les batteries toutes les semaines. Il est préférable de ne pas ranger la batterie si elle est déchargée. La durée de vie de la batterie en serait limitée.

## Batterie en place dans le chargeur

Le chargeur et le bloc-batterie peuvent rester connectés en permanence avec le témoin LED allumé. Le chargeur maintient le bloc-batterie complètement chargé.

## Diagnostics du chargeur

Si le chargeur détecte un défaut ou une usure de la batterie, le témoin de charge (11) clignote rapidement en rouge. Procédez comme suit:

- Réinsérez la batterie (5).
- Si le témoin de charge continue de clignoter rapidement en rouge, déterminez à l'aide d'une autre batterie si le processus de charge fonctionne correctement.
- Si cette autre batterie charge correctement, la batterie d'origine est défectueuse et doit être envoyée au centre de réparations pour être recyclée.
- Si la nouvelle batterie signale le même problème, demandez à un centre de réparations autorisé de tester le chargeur.

**Remarque: La détection de la défaillance de la batterie peut prendre jusqu'à 60 minutes. Si la batterie est trop chaude ou trop froide, le témoin LED alterne un clignotement en rouge, rapide puis lent, et ainsi de suite.**

### Sélection du sens de rotation (fig. E)


Pour percer ou pour serrer des vis, utilisez la rotation dans le sens horaire. Pour desserrer les vis ou retirer un foret bloqué, utilisez la rotation en sens inverse.

- Pour sélectionner la rotation dans le sens horaire, poussez le sélecteur de rotation droite/gauche (2) vers la gauche.

- Pour sélectionner la rotation inverse, poussez le sélecteur de rotation droite/gauche vers la droite.
- Pour verrouiller l'outil, placez le sélecteur de rotation droite/gauche sur la position centrale.

## Sélectionner le couple

Cet outil est équipé d'une bague pour régler le couple en fonction des divers vissages ou perçages. Les vis larges et les matériaux durs nécessitent un réglage du couple plus élevé que les petites vis et les matériaux tendres. Pour la définition du symbole, consultez la liste ci-dessous.

- Pour percer le bois, le métal et le plastique, réglez la bague de réglage du couple (4) sur  symbole.
- Pour visser, réglez la bague sur la position souhaitée. Si vous ne connaissez pas encore le réglage approprié, procédez comme suit:
  - Réglez la bague de réglage du couple (4) sur le réglage le plus bas.
  - Vissez la première vis.
  - Si l'embrayage cliquète avant d'obtenir le résultat souhaité, augmentez le réglage de la bague et continuez à visser. Répétez jusqu'à l'obtention du bon réglage. Utilisez ce réglage pour les vis restantes.

## Sélectionner la vitesse

- Pour percer du métal et pour visser, faites glisser le sélecteur de vitesse (8) vers l'arrière de l'outil (1ère vitesse).
- Pour percer des matériaux autres que l'acier, faites glisser le sélecteur de vitesse (8) vers l'avant de l'outil (2ème vitesse).

## Perçage/vissage

- Sélectionnez le sens de la rotation à l'aide du sélecteur de rotation droite / gauche (2).
- Pour mettre l'outil en marche, appuyez sur l'interrupteur (1). La vitesse de l'outil dépend de la façon dont vous appuyez sur l'interrupteur.
- Pour éteindre l'outil, relâchez l'interrupteur.

## Lampe de travail LED

La lampe de travail LED (7) s'allume automatiquement en appuyant sur le déclencheur. La lampe de travail LED s'allume quand le déclencheur est à moitié appuyé et avant que l'outil ne commence à fonctionner.

## Conseils pour une utilisation optimale

### Perçage

- Appliquez toujours une pression légère en ligne droite avec le foret de perçage.
- Juste avant que le foret de perçage n'atteigne l'autre côté de la pièce, diminuez la pression sur l'outil.
- Utilisez un bloc de bois pour protéger les pièces pouvant se briser.
- Utilisez des mèches à bois plates lorsque vous percez des trous d'un large diamètre dans du bois.
- Utilisez des forets HSS lorsque vous percez du métal.
- Utilisez des forets de maçonnerie lorsque vous percez des matériaux tendres.
- Utilisez un lubrifiant lorsque vous percez des métaux autres que de la fonte et du laiton.
- Faites une entaille à l'aide d'un poinçon de centrage au centre du trou à percer afin d'améliorer la précision.

### Vissage

- Utilisez toujours le bon type et la bonne taille d'embout de vissage.
- Si les vis sont difficiles à visser, enduisez-les d'un peu de liquide vaisselle ou de savon comme lubrifiant.
- Tenez toujours l'outil et l'embout de vissage en ligne droite par rapport à la vis.

### Entretien

Votre outil STANLEY a été conçu pour fonctionner pendant longtemps avec un minimum d'entretien. Un fonctionnement continu satisfaisant dépend d'un entretien approprié de l'outil et d'un nettoyage régulier.

Votre chargeur ne nécessite aucun entretien autre qu'un nettoyage régulier.

**Attention!** Avant d'effectuer tout entretien, retirez la batterie de l'outil. Débranchez le chargeur avant de le nettoyer.

- Nettoyez régulièrement les orifices de ventilation de votre outil et du chargeur à l'aide d'une brosse douce ou d'un chiffon sec.
- Nettoyez régulièrement le compartiment du moteur à l'aide d'un chiffon humide. N'utilisez pas de produit abrasif ou à base de solvant.

- Ouvrez régulièrement le mandrin et tapotez-le pour retirer toute poussière logée à l'intérieur.

### Batteries



Videz complètement la batterie, puis retirez-la de l'outil.

- Les batteries NiCd, NiMH et Li-Ion sont recyclables. Apportez-les chez votre distributeur ou dans un centre de recyclage local.

### Données techniques

STDC001L		
Tension	$V_{DC}$	10.8
Vitesse à vide	/min	0-315, 0-1200
Couple max. (selon PTI)	Nm	27
Capacité mandrin	mm	10
<b>Capacité de perçage max.</b>		
Acier/bois	mm	10/25
Poids	kg	1.1
<b>Chargeur</b>		
Tension secteur	$V_{AC}$	220-240
Tension de sortie	$V_{DC}$	10.8
Courant de sortie (DC)	A	2
Temps de chargement approx.	min	30
<b>Batterie</b>		
Tension	VDC	10.8
Capacité	Ah	1.5
Type		Li-Ion

## Protection de l'environnement



Collecte sélective. Ne pas jeter cet appareil avec les ordures ménagères.

Si vous devez remplacer un appareil Stanley ou si vous ne l'utilisez plus, ne le jetez pas avec les ordures ménagères, mais dans les conteneurs de collecte sélective.



La collecte sélective des produits et des emballages usagés permet de recycler et de réutiliser leurs matériaux. La réutilisation de matériaux recyclés aide à protéger l'environnement contre la pollution et à réduire la demande en matières premières.

Les réglementations locales peuvent proposer la collecte sélective des appareils électriques ménagers, dans des déchetteries municipales ou par le revendeur lorsque vous achetez un nouvel appareil. Stanley dispose d'installations pour la collecte et le recyclage des produits Stanley en fin de vie. Pour profiter de ce service, veuillez rapporter votre appareil auprès d'un centre de réparation agréé qui se chargera de le collecter en notre nom.

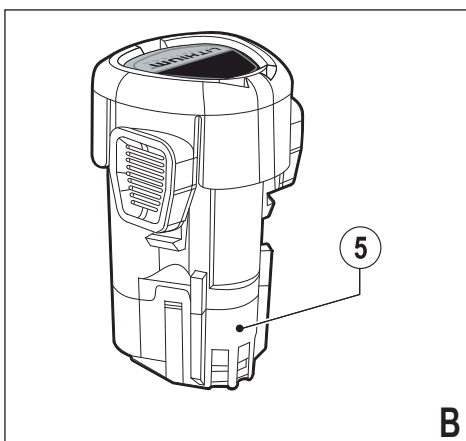
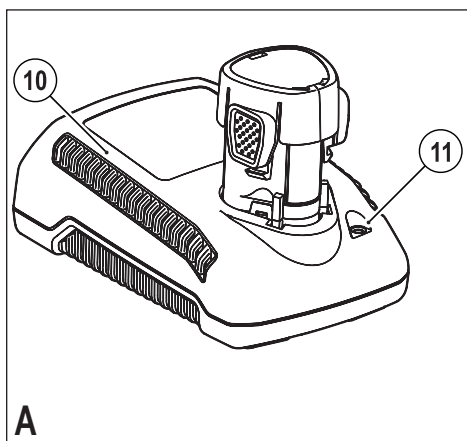
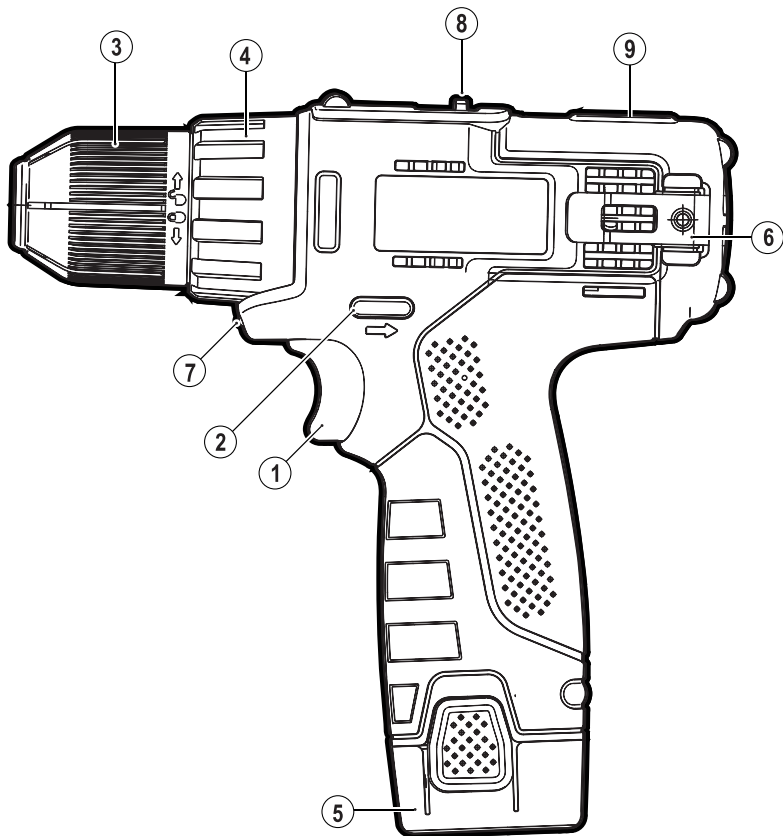
Pour connaître l'adresse d'un centre de réparation agréé près de chez vous, contactez votre distributeur Stanley à l'adresse indiquée dans ce manuel, ou consultez la liste des centres de réparation agréés Stanley et tout renseignement complémentaire sur notre service après-vente sur le site internet à l'adresse: [www.2helpU.com](http://www.2helpU.com).

## Garantie deux

Si votre appareil STANLEY s'avère défectueux en raison d'un vice de matériau ou de fabrication dans les 24 mois à compter de sa date d'achat, STANLEY Europe garantit le remplacement gratuit de toute pièce défectueuse ou – à notre entière discrétion – le remplacement gratuit de l'appareil, à condition que:

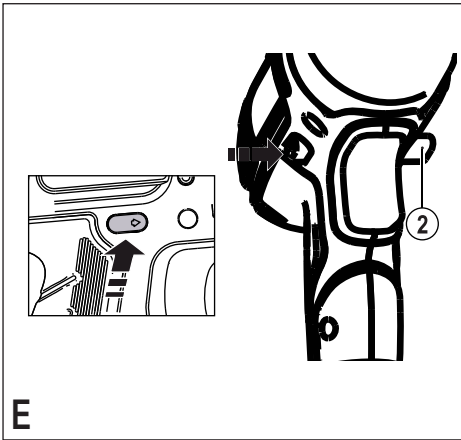
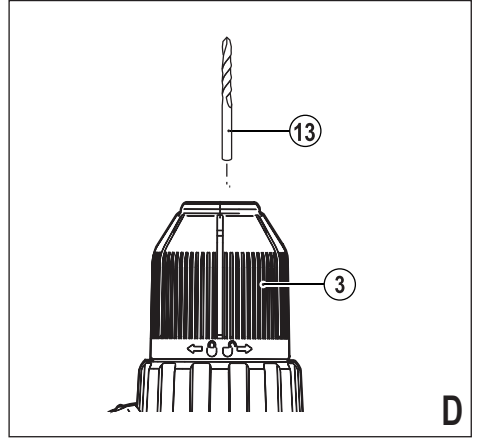
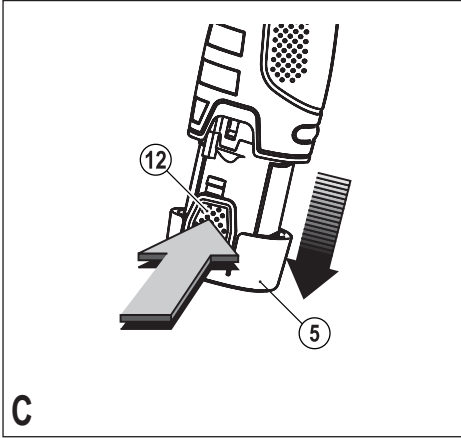
- L'appareil n'ait pas été utilisé avec négligence et qu'il ait été utilisé en suivant les instructions contenues dans ce manuel.
- L'appareil ait été soumis à une usure normale;
- Aucune réparation n'ait été effectuée par du personnel non autorisé;
- Une preuve d'achat soit fournie.
- L'appareil STANLEY soit retourné complet, avec l'ensemble de ses composants originaux.

Pour avoir recours à la garantie, contactez votre revendeur ou consultez l'emplacement du centre de réparation agréé Stanley le plus proche dans le catalogue, ou contactez le service clientèle Stanley à l'adresse indiquée dans ce manuel. Une liste des centres de réparation agréés Stanley et tout détail complémentaire concernant notre service après-vente sont à votre disposition sur notre site internet : [www.stanleytools.com](http://www.stanleytools.com)



A

B



## Utilização prevista

A sua plaina STANLEY foi concebida para plainar madeira, produtos de madeira e plástico. Esta ferramenta é apenas para utilização manual.

## Instruções de Segurança

### Aviso de segurança geral de ferramenta elétrica



**Aviso! Ler e compreender todas as instruções.** A falha em seguir todas as

instruções listadas em baixo podem resultar em choque, incêndio e/ou grave lesão pessoal.

### Guarde todos estes avisos para futura consulta.

O termo "ferramenta elétrica" em todos os avisos em baixo listados refere-se aos meios operados (por cabo) da ferramenta elétrica ou ferramenta elétrica alimentada a bateria (sem fios).

#### 1. Segurança de área de trabalho

- a. **Manter a área de trabalho limpa e bem iluminada.** Áreas desordenadas ou escuras são propícias a acidentes.
- b. **Não operar as ferramentas elétricas em atmosferas explosivas, tais como na presença de materiais, gases ou poeiras.** Ferramentas elétricas podem causar faíscas que acendam a poeira ou fumos.
- c. **Manter as crianças e transeuntes longe quando operar uma ferramenta elétrica.** Distrações podem-no fazer perder o controlo.

#### 2. Segurança elétrica

- a. **As fichas das ferramentas elétricas devem ser iguais às das tomadas. Nunca modifique de qualquer forma a ficha. Não usar quaisquer fichas com ferramentas elétricas com ligação à terra (terra).** Fichas não modificadas e tomadas condizentes reduziram o risco de choque elétrico.
- b. **Evite o contacto físico com superfícies ligadas à terra tais como tubos, radiadores, conteúdos e frigoríficos.** Existe um risco maior de choque elétrico se o seu corpo estiver ligado à terra ou chão.
- c. **Não exponha as ferramentas elétricas a condições chuvosas ou húmidas.** Água que entre numa ferramenta elétrica aumentará o risco de choque elétrico.

d. **Não abuse do fio. Nunca use o fio para carregar, puxar ou desligar a ferramenta elétrica. Mantenha o fio longe do calor, óleo, pontas afiadas ou partes móveis.** Fios danificados ou entrelaçados aumentam o risco de choque elétrico.

e. **Quando operar uma ferramenta elétrica no exterior, use um fio de extensão adequado para uso exterior.** O uso de um fio apropriado para uso exterior reduz o risco de choque elétrico.

f. **Se o uso de uma ferramenta elétrica num local húmido não for inevitável, use uma fonte protegida de dispositivo de corrente residual (DCR).** O uso de DCR reduz o risco de choque elétrico.

#### 3. Segurança pessoal

- a. **Esteja atento, tenha atenção ao que está a fazer e use o senso comum quando operar uma ferramenta elétrica. Não use ferramentas elétricas quando estiver cansado ou sob influência de drogas, álcool ou medicação.** Uma desatenção enquanto opera uma ferramenta elétrica pode causar graves danos pessoais.
- b. **Use equipamento de proteção pessoal. Use sempre proteção ocular.** Equipamento protetor tal como máscara de poeiras, calçado anti derrapagem, capacete, ou proteção auditiva usada para as condições apropriadas de poeiras, calçado anti derrapagem, capacete, ou proteção auditiva usada para as condições apropriadas reduzirá o risco de lesões pessoais.
- c. **Previna arranque indesejado. Assegure-se que o interruptor está na posição "off" antes de ligar a fonte de energia e/ou pilhas, ao pegar ou carregar a ferramenta.** Carregar ferramentas elétricas com o seu dedo no interruptor ou alimentar ferramentas elétricas que têm o interruptor ligado propiciam os acidentes.
- d. **Remova qualquer chave de ajuste ou chave antes de ligar a ferramenta elétrica.** Uma chave deixada presa à peça em rotação pode resultar em lesões pessoais.
- e. **Não se exceda. Mantenha sempre a posição de pés adequada e equilíbrio.** Isto permite um melhor controlo da ferramenta elétrica em situações inesperadas.
- f. **Vista-se apropriadamente. Não use roupas largas ou joias. Mantenha o seu cabelo, vestuário e luvas longe das partes em movimento.** Vestuário largo, joias ou cabelo comprido podem ficar presos nas peças em movimento.

g. Se são fornecidos dispositivos para a coleção ou extração de poeiras e instalações de coleção, assegure-se que estes estão ligados e são usados apropriadamente. Uso da recolha de poeira pode reduzir o risco de perigos relacionados com a poeira.

#### 4. Uso e cuidado da ferramenta elétrica

a. **Não force a ferramenta elétrica. Use a ferramenta elétrica correta para a sua tarefa.** A ferramenta elétrica correta fará o trabalho melhor de forma mais segura à medida para a qual foi desenhada.

b. **Não use a ferramenta elétrica se o interruptor não a ligar ou desligar.** Qualquer ferramenta elétrica que não possa ser controlada com o interruptor é perigosa e deve ser reparada.

c. **Desligue a fiche da fonte de energia e/ou pilha da ferramenta elétrica antes de fazer qualquer ajuste mudar acessórios ou guardar as ferramentas elétricas.** Tais medidas preventivas reduzem o risco de ligar a ferramenta elétrica acidentalmente.

d. **Guarde ferramentas elétrica inativas fora do alcance das crianças e não permita a pessoas não familiarizadas com as ferramentas elétricas a operar a ferramenta elétrica.** Ferramentas elétricas são perigosas nas mãos de utilizadores não preparados.

e. **Reveja as ferramentas elétricas. Verifique se há desalinhamento ou ligação das peças móveis, se as peças quebraram e quaisquer outras condições que possam afetar a operação das ferramentas elétricas.** Muitos acidentes são causados por ferramentas elétricas mal revistas.

f. **Mantenha as ferramentas de corte afiadas e limpas.** Ferramentas de corte devidamente revistas com superfícies de corte afiadas têm menos probabilidades de ligar e mais fáceis de controlar.

g. **Utilize a ferramenta, os acessórios e as brocas, etc., de acordo com estas instruções e da maneira correta para este tipo de ferramenta elétrica, tendo em atenção as condições de trabalho e o trabalho a ser desempenhado.** A utilização da ferramenta elétrica para diferentes operações das indicadas pode causar uma situação perigosa.

#### 5. Utilização e cuidado da bateria da ferramenta

a. **Recarregue apenas com o carregador especificado pelo fabricante.** Um carregador que é apropriado para um tipo de bateria pode causar risco de incêndio quando utilizado com outra bateria.

b. **Utilize ferramentas elétricas apenas com as baterias especificamente designadas.** A utilização de outras baterias pode causar risco de lesões e incêndio.

c. **Quando a bateria não está a ser utilizada, mantenha-a afastada de outros objetos de metal, tais como cliques de papel, moedas, chaves, pregos, parafusos, ou outros objetos pequenos de metal, que possam fazer uma ligação de um terminal ao outro.** Causar curto-circuito dos terminais da bateria juntos pode causar queimaduras ou um incêndio.

d. **Em condições abusivas, pode ser derramado líquido da bateria. Evite o contacto. Se ocorrer algum contacto acidentalmente, lave com água. Se o líquido entrar em contacto com os olhos, procure também ajuda médica.** O derrame de líquido a partir da bateria pode causar irritação ou queimaduras.

#### 6. Serviço

a. **Faça a substituição da sua ferramenta elétrica por uma pessoa qualificada, utilizando apenas peças de substituição idênticas.** Isto assegurará que a segurança da ferramenta elétrica é mantida.

#### Avisos de segurança adicionais para a ferramenta elétrica



**Aviso!** Avisos de segurança adicionais para furadoras e furadoras de impacto

- **Utilize proteção auricular com as furadoras de impacto.** A exposição ao ruído pode causar perda de audição.
- **Utilize os manípulos auxiliares fornecidos com a ferramenta.** A perda de controlo pode causar lesões pessoais.
- **Mantenha a ferramenta elétrica em superfícies aderentes isoladas quando efetuar uma operação em que o acessório de corte possa entrar em contacto com fios escondidos.** O acessório de corte, ao entrar em contacto com um fio "sob tensão" pode expor peças de metal da ferramenta elétrica à "sob tensão" e provocar um choque elétrico no utilizador.
- **Mantenha a ferramenta elétrica em superfícies aderentes isoladas quando efetuar uma operação em que o fixador possa entrar em contacto com fios escondidos.** O fixador, ao entrar em contacto com um fio "sob tensão" pode expor peças de metal da ferramenta elétrica à "sob tensão" e provocar um choque elétrico no utilizador.
- **Utilize braçadeiras ou outra maneira prática de segurar e apoiar a peça de trabalho numa plataforma estável.** Segurar a peça na mão ou contra o seu corpo torna-a instável e pode provocar perda de controlo.

- Antes de furar as paredes, chãos ou tetos, verifique a localização de fios e tubos.
- Evite tocar na ponta da broca após furar, pois pode estar quente.
- Esta ferramenta não se destina a ser utilizado por pessoas (incluindo crianças) com deficiência física ou mental ou falta de experiência e conhecimento, salvo se receberam supervisão ou instruções relativas à utilização do aparelho por parte da pessoa responsável pela sua segurança. As crianças deverão ser vigiadas de modo a garantir que não brincam com o aparelho.
- A utilização prevista está descrita neste manual de instruções. A utilização de qualquer acessório ou peça anexa ou a realização de quaisquer operações com esta ferramenta que não as recomendadas neste manual de instruções podem representar um risco de lesões pessoais e/ou danos na propriedade.

### Segurança de outras pessoas

- Este aparelho não se destina a ser utilizado por pessoas (incluindo crianças) com deficiência física ou mental ou falta de experiência e conhecimento, salvo se receberam supervisão ou instruções relativas à utilização do aparelho por parte da pessoa responsável pela sua segurança.
- As crianças deverão ser vigiadas de modo a garantir que não brincam com o aparelho.






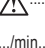


### Riscos residuais.

Podem surgir riscos residuais adicionais quando utiliza a ferramenta, que podem não estar incluídos nos avisos de segurança anexos. Estes riscos podem ocorrer da má utilização, utilização prolongada, etc. Mesmo com a aplicação das regras de segurança relevantes e a implementação de dispositivos de segurança, não podem ser evitados certos riscos residuais. Estes incluem:

- Lesões causadas por tocar em peças rotativas/móveis.
- Lesões causadas quando substitui quaisquer peças, lâminas ou acessórios.
- Lesões causadas por utilização prolongada de uma ferramenta. Quando utiliza uma ferramenta por períodos prolongados, certifique-se de que faz intervalos regulares.
- Perda de audição.
- Os perigos de saúde causados por respirar a sujidade desenvolvida quando utiliza a sua ferramenta (por exemplo: trabalhar com madeira, especialmente, carvalho, faia e MDF.)

### Etiquetas na ferramenta

A etiqueta na sua ferramenta pode incluir os seguintes símbolos:

	Ler Manual de Instruções	Hz ..... Hertz		Classe II Construção
	Usar proteção ocular	W ..... Watts		Símbolo de Aviso de
	Usar proteção auditiva	min ..... minutos		Terminal de Ligação à Terra
			..... Corrente Alternada	...../min.. Rotações ou Reciprocaciones por minuto
			..... Corrente Direta	
V .....	Volts	n <sub>0</sub> .....	Velocidade em vazio	
A .....	Amperes			

### Posição do código de barras de dados

O código de Dados, que também inclui o ano de fabrico, é impresso na carcaça.

Exemplo:

2014 XX JN  
Ano de Fabrico

### Instruções de segurança adicionais para baterias e carregadores

#### Baterias

- Nunca tente abrir por qualquer razão.
- Não exponha a bateria à água.
- Não armazene em locais onde a temperatura possa exceder os 40 °C.
- Carregue apenas a temperaturas ambiente entre 10 °C e 40 °C.
- Carregue apenas utilizando o carregador fornecido com a ferramenta.
- Quando eliminar as baterias, siga as instruções fornecidas na secção "Proteger o ambiente".



Não tente carregar baterias danificadas.

#### Carregadores

- Utilize o seu carregador STANLEY apenas para carregar a bateria com a ferramenta fornecida. Outras baterias podem rebentar, causar lesões pessoais e danos.
- Nunca tente carregar baterias não recarregáveis.
- Substitua de imediato cabos defeituosos.



- Não exponha o carregador à água.
- Não abra o carregador.
- Não examine o carregador.



Este carregador é apenas para utilização doméstica no interior.



Leia o manual de instruções antes de utilizar.

## Segurança elétrica



Este carregador tem duplo isolamento; assim, não é necessário nenhum fio terra. Verifique sempre se a tensão de alimentação corresponde à tensão na placa de características. Nunca tente substituir a unidade do carregador com uma ficha regular.

- Se o cabo está danificado, deve ser substituído pelo fabricante ou por um Centro de Assistência Técnica autorizado STANLEY de modo a evitar um perigo.

## Características

Esta ferramenta inclui algumas ou todas das seguintes características.

1. Botão de velocidade variável
2. Deslizador frente/trás
3. Bucha
4. Alça de ajuste de binário
5. Bateria
6. Clipe para cinto
7. Luz LED de trabalho
8. Seletor de velocidade
9. Suporte magnético para brocas

## Fig. A

10. Carregador
11. Indicador de carga

## Montagem

**Aviso!** Antes de montar, retire a bateria da ferramenta.

## Colocar e remover a bateria (fig c)

- Para colocar a bateria (5), alinhe-a com o recetáculo na ferramenta. Deslize a bateria no recetáculo e empurre até que a bateria encaixe no sítio.
- Para remover a bateria, empurre os botões de libertação (12) enquanto, ao mesmo tempo, puxa a bateria para fora do recetáculo.

## Encaixar e remover uma broca para furar ou broca para aparafusar (fig. D)

Esta ferramenta tem uma bucha sem chave para permitir uma troca fácil de brocas.

- Bloquee a ferramenta colocando o deslizador frente/trás (2) na posição central.
- Agarre a bucha (3) e rode-a no sentido contrário aos ponteiros do relógio, conforme indicado na extremidade da bucha.
- Insira o eixo da broca (13) na bucha.
- Aperte firmemente a bucha rodando-a no sentido dos ponteiros do relógio, conforme indicado na extremidade da bucha.

**Aviso!** Não tente apertar as brocas (ou qualquer outro acessório) agarrando na parte da frente da bucha e ligando a ferramenta. Podem ocorrer danos na bucha e lesões pessoais quando se muda acessórios desta maneira.

## Utilização

**Aviso!** Permita que a ferramenta funcione ao seu próprio ritmo. Não sobrecarregar.

## Carregar a bateria (fig. A)

A bateria precisa de ser carregada antes da primeira utilização e sempre que já não produzir energia suficiente em trabalhos onde era mais fácil antes. A bateria pode ficar quente enquanto carrega; isto é normal e não indica um problema.

**Aviso!** Não carregue a bateria a temperaturas ambiente abaixo de 10 °C ou acima de 40 °C. Temperatura de carregamento recomendado: aprox. 24 °C.

**Nota: O carregador não carregará a bateria se a temperatura da célula for inferior a aproximadamente 10 °C ou superior a 40 °C. A bateria deve permanecer no carregador e o carregador iniciará automaticamente a carregar quando a temperatura da célula aquecer ou arrefecer.**

- Para carregar a bateria (5), insira-a no carregador (10). A bateria apenas encaixará duma maneira no carregador. Não forçar. Certifique-se que a bateria está bem colocada no carregador.

- Ligue o carregador, inclusive à tomada.

O indicador de carregamento (11) irá piscar continuamente verde (lentamente).

O carregamento está completo quando o indicador de carregamento (11) brilha verde continuamente. O carregador e a bateria podem ficar ligados indefinidamente com o LED iluminado. O LED irá mudar para o estado de piscar verde (a carregar) quando o carregador complementa, ocasionalmente, a mudança de bateria. O indicador de carregamento (11) ficará iluminado, enquanto a bateria estiver ligada ao carregador ligado.

- Carregue baterias descarregadas passado uma semana. A vida útil da bateria diminuirá imenso se for armazenada num estado descarregado.

### Deixar a bateria no carregador

O carregador e a bateria podem ficar ligados com o LED a piscar indefinidamente. O carregador manterá a bateria completamente carregada.

### Diagnóstico do carregador

Se o carregador detetar uma bateria fraca ou danificada, o indicador de carregamento (11) piscará muito depressa a vermelho. Prossiga da seguinte maneira:

- Tome a inserir a bateria (5).
- Se o indicador de carregamento continuar a piscar a vermelho muito depressa, utilize uma bateria diferente para determinar se o processo de carregamento funciona corretamente.
- Se a bateria substituída carregar corretamente, a bateria original está danificada e deve ser enviada para um centro de serviço para reciclagem.
- Se a nova bateria der a mesma indicação que a bateria original, leve o carregador para ser testado a um centro de serviço autorizado.

**Nota: Pode levar até 60 minutos para determinar que a bateria está danificada. Se a bateria estiver muito quente ou muito fria, o LED irá, alternadamente, piscar vermelho, depressa e devagar, um piscar em cada velocidade e repetir**

### Selecionar a direção de rotação (fig. E)


Para perfurar e para apertar parafusos, utilize a rotação para a frente (sentido dos ponteiros do relógio). Para desaparafusar os parafusos ou remover uma broca bloqueada, utilize a rotação para trás (sentido contrário aos ponteiros do relógio).

- Para selecionar a rotação para a frente, empurre o deslizador frente/trás (2) para a esquerda.

- Para selecionar a rotação para trás, empurre o deslizador frente/trás (2) para a direita.
- Para bloquear a ferramenta, coloque o deslizador frente/trás para a posição central.

### Selecionar o binário

Esta ferramenta tem uma alça para definir o binário para várias aplicações de aparafusamento e perfuração. Os parafusos grandes e materiais de peças de trabalho duros requerem um binário superior do que pequenos parafusos e materiais de peças de trabalho macios. Para a definição do símbolo consulte a lista abaixo.

- Para perfurar em madeira, metal e plástico, defina a alça de ajuste do binário (4) para  símbolo .
- Para aparafusar, defina a alça para a definição desejada. Se não souber qual a definição apropriada, proceda como se segue:
  - Defina a alça de ajuste do binário (4) para a definição de binário mais baixa.
  - Aperte o primeiro parafuso.
  - Se não apertar bem antes de alcançar o resultado desejado, aumente a definição da alça e continue a apertar o parafuso. Repita até que obtenha a definição correta. Utilize a definição para os restantes parafusos.

### Seletor de velocidade

- Para perfurar em metal e para aplicações de aparafusamento, deslize o seletor de velocidade (8) para a parte de trás da ferramenta (1ª engrenagem).
- Para perfurar em materiais que não o metal, deslize o seletor de velocidade (8) para a parte da frente da ferramenta (2ª engrenagem).

### Perfurar/aparafusar

- Selecione a rotação para a frente ou para trás utilizando o deslizador frente/trás (2).
- Para ligar a ferramenta, pressione o botão (1). A velocidade da ferramenta depende do quanto pressiona o botão.
- Para desligar a ferramenta, solte o botão (1).

### Luz LED de trabalho

A luz LED de trabalho (7) é ativada automaticamente quando o botão de disparo é pressionado. A luz LED de trabalho irá iluminar quando o botão de disparo é parcialmente pressionado, antes da unidade começar a funcionar.

## Sugestões para uma utilização ótima

### Perfurar

- Aplique sempre uma leve pressão numa linha direita com a broca.
- Antes da ponta da broca atravessar a outra parte da peça de trabalho, diminua a pressão da ferramenta.
- Utilize um bloco de madeira para segurar peças de trabalho que possam lascar.
- Utilize brocas em formato de espada quando perfurar orifícios com diâmetro grande em madeira.
- Utilize brocas HSS quando perfurar metal.
- Utilize brocas de alvenaria quando perfurar alvenaria macia.
- Utilize um lubrificante quando perfurar outros metais que não ferro fundido e cobre.
- Faça um indentação utilizando uma punção no centro do orifício para ser perfurado de modo a melhorar a precisão.

### Aparafusar

- Utilize sempre o tipo e tamanho correto de broca para aparafusar.
- Se os parafusos são difíceis de aparafusar, tente aplicar uma pequena quantidade de líquido de lavagem ou sabão como lubrificante.
- Segure sempre a ferramenta e a broca de aparafusamento numa linha direita com o parafuso.

### Manutenção

A sua ferramenta STANLEY foi concebida para operar durante um longo período de tempo com um mínimo de manutenção. Um funcionamento satisfatório permanente depende de uma manutenção adequada e de uma limpeza regular do aparelho.

O seu carregador não requer qualquer manutenção além de limpeza regular.

**Aviso!** Antes de efetuar qualquer manutenção na ferramenta, retire a bateria da ferramenta. Desligue o carregador antes de limpar.

- Limpe regularmente as ranhuras de ventilação da ferramenta e do carregador utilizando uma escova macia ou um pano seco.

- Limpe regularmente a caixa do motor com um pano húmido. Não utilize nenhum agente de limpeza abrasivo ou à base de solvente.
- Abra a bucha regularmente e bata levemente nela para remover qualquer sujidade do interior.

### Baterias



Deixe a bateria descarregar completamente, depois remova-a da ferramenta.

- As baterias NiCd, NiMH e de íon de lítio são recicláveis. Leve-as para qualquer agente de reparação autorizado ou para uma estação local de reciclagem.

### Dados técnicos

STDC001L		
Tensão	$V_{DC}$	10,8
Velocidade sem carga	/min	0-315, 0-1200
Binário máx. (Classificação PTI)	Nm	27
Capacidade da bucha	mm	10
<b>Capacidade máx. de perfuração</b>		
Metal/madeira	mm	10/25
Peso	kg	1,1
<b>Carregador</b>		
Voltagem de entrada	$V_{AC}$	220-240
Voltagem de saída	$V_{DC}$	10,8
Corrente de saída (CC)	A	2
Tempo de carregamento aprox.	min	30
<b>Bateria</b>		
Tensão	$V_{DC}$	10,8
Capacidade	Ah	1,5
Tipo		Íon de lítio

## Protegendo o ambiente



Recolha separada. Este produto não deve ser descartado com o resto do lixo caseiro normal.

Se encontrar que um dia o seu produto Stanley precisa de substituição, ou se já não tem mais uso para si, não o descarte com o resto de lixo caseiro normal. Disponibilize este produto para recolha separada.



Recolha separada dos produtos usados e embalagens permite que os materiais sejam reciclados e usados de novo. Reutilizar materiais reciclados ajuda a prevenir poluição ambiental e reduz a necessidade de matéria-prima.

Leis locais podem fornecer recolha separada de produtos eléctricos das casas, em sítios de resíduos municipais ou no vendedor quando você compra um novo produto. Stanley oferece uma instalação para a recolha e reciclagem de produtos Stanley uma vez que estes atingiram o fim da sua vida útil. Para desfrutar deste serviço por favor devolva o seu produto a qualquer agente autorizado de reparações que os recolherá em nosso nome.

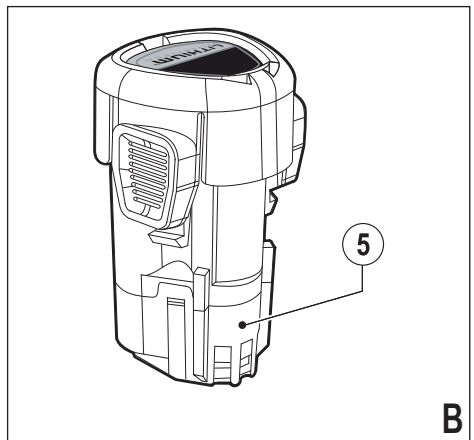
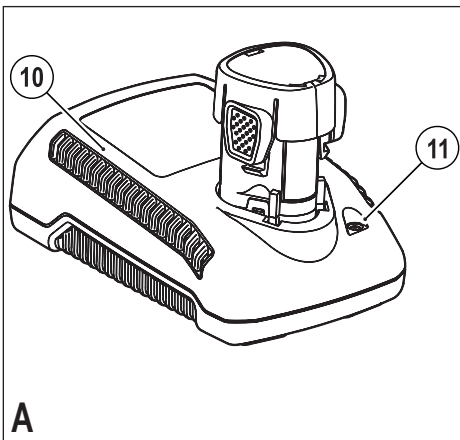
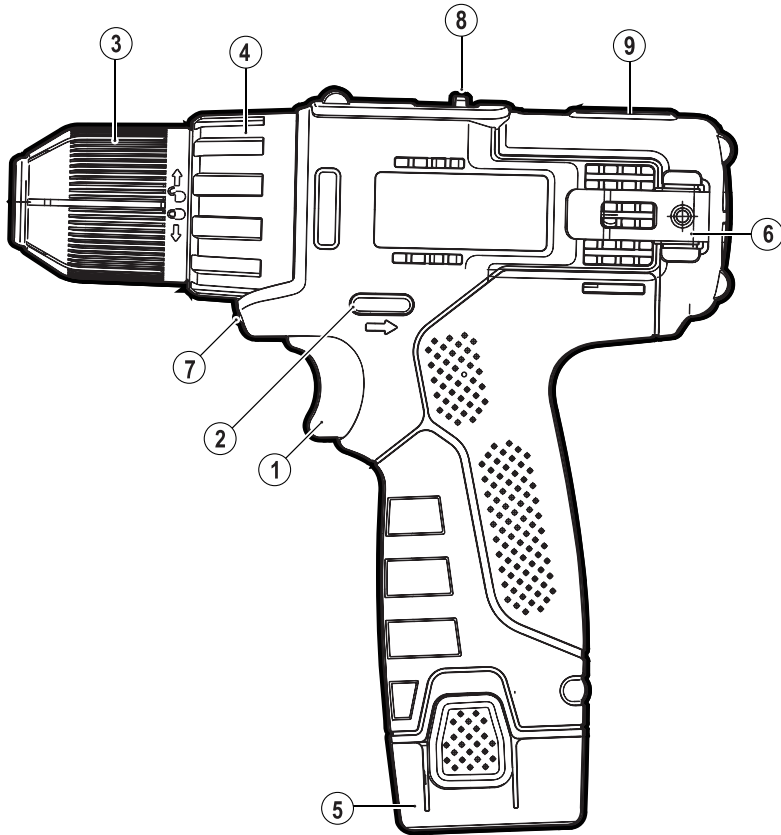
Você pode verificar a localização do seu agente de reparações autorizado mais próximo contactando o seu escritório local Stanley no endereço indicado neste manual. Alternativamente, uma lista de agentes de reparações autorizados pela Stanley e detalhes completos dos nossos serviços pós-venda e contactos estão disponíveis na Internet em: [www.2helpU.com](http://www.2helpU.com)

## Dois ano de garantia total

Se o seu produto STANLEY ficar defeituoso devido a materiais ou mão-de-obra defeituosos em 24 meses a contra da data da compra, STANLEY Europe garante a substituição de todas as peças defeituosas sem custos – por nossa conta – substitui a unidade sem custos dado que:

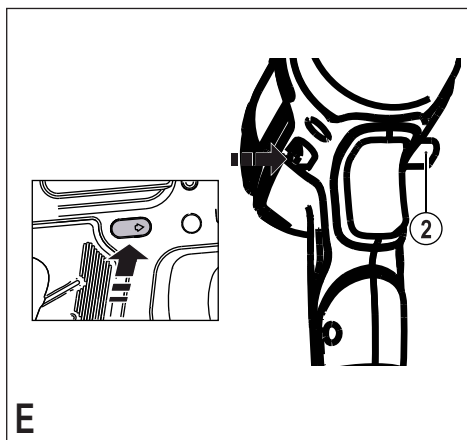
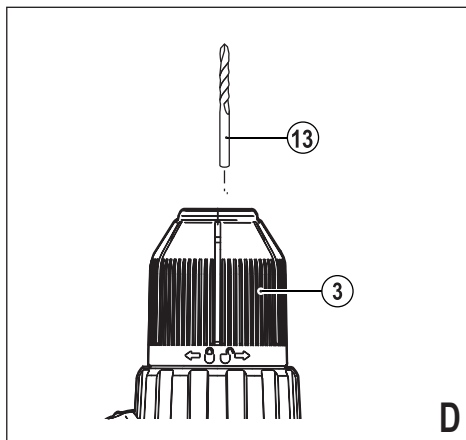
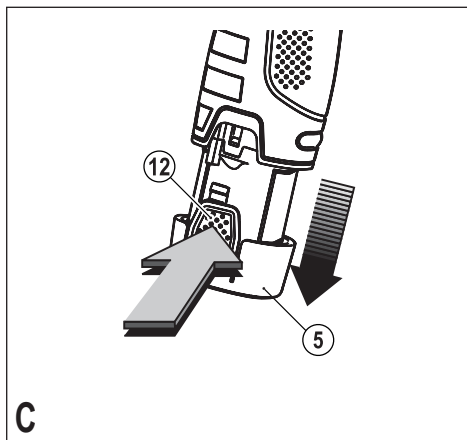
- O produto não foi mal usado e foi usado de acordo com o manual de instruções.
- O produto foi sujeito a uso e desgaste justo;
- Não foram tentadas reparações feitas por pessoas não autorizadas;
- É fornecida um comprovativo de compra.
- O produto STANLEY é devolvido com todos os seus componentes originais.

Se quiser apresentar uma reclamação, contacte o seu vendedor ou verifique a localização do agente de reparações Stanley autorizado no catálogo ou contacte com o seu escritório local nos endereços indicados neste manual. Uma lista de agentes autorizados de reparação Stanley e detalhes completos dos nossos serviços pós-venda estão disponíveis na internet em: [www.stanleytools.com](http://www.stanleytools.com)



A

B



## Использование по назначению

Ваш станок STANLEY был разработан для строгания древесины, изделий из древесины и пластмассы. Инструмент предназначен для ручного использования.

## Правила техники безопасности



**Общие предупреждения по технике безопасности электроинструментов**

**Внимание!** Ознакомьтесь со всеми правилами безопасности и инструкциями. Несоблюдение предупреждений и инструкций, указанных ниже, может привести к поражению электрическим током, пожару и/или серьезной травме.

**Сохраните все предупреждения и инструкции для будущего использования.**

Термин "электроинструмент" во всех предупреждениях, указанных ниже, относится к вашему сетевому (с кабелем) электроинструменту или аккумуляторному электроинструменту (без кабеля питания).

### 1. Безопасность рабочего места

- a. **Содержите рабочее место в чистоте и хорошо освещенным.** Беспорядок на рабочем месте или отсутствие освещения рабочего места может привести к аварии.
- b. **Не работайте с электроинструментом в месте хранения взрывоопасных материалов, например, в присутствии огнеопасных жидкостей, газов или пыли.** Электрические инструменты создают искры, которые могут воспламенить пыль или пары.
- c. **Дети и посторонние лица должны находиться как можно дальше во время работы с электроинструментом.** Вы можете отвлечься и потерять контроль.

### 2. Электробезопасность

- a. **Вилка электроинструмента должна соответствовать розетке. Никогда не модифицируйте вилку каким-либо образом. Не используйте никакие вилки-переходники с заземленными (замкнутыми на землю)**

**электроинструментами. Вилки и розетки, которые не подвергались никаким изменениям снижают риск поражения электрическим током.**

- b. **Избегайте контакта тела с заземленными поверхностями, такими как трубы, радиаторы, плиты и холодильники.** Существует повышенный риск поражения электрическим током, если ваше тело заземлено.
  - c. **Избегайте любого воздействия дождя или влаги на электроинструменты.** Вода, попавшая в электроинструмент, увеличивает риск поражения электрическим током.
  - d. **Аккуратно обращайтесь со шнуром питания. Никогда не используйте шнур питания для переноски, перемещения или извлечения вилки из розетки. Держите шнур вдали от источников тепла, масла, острых краев или движущихся частей.** Поврежденные или запутанные шнуры увеличивают риск поражения электрическим током.
  - e. **При работе с электроинструментом на улице, используйте удлинитель, подходящий для наружного использования.** Использование кабеля, пригодного для использования на открытом воздухе, снижает риск поражения электрическим током.
  - f. **При необходимости работы с электроинструментом во влажной среде, используйте устройство защитного отключения (УЗО).**
- ### 3. Личная безопасность
- a. **Будьте внимательны, смотрите, что вы делаете, используйте здравый смысл при работе с электроинструментом. Не используйте электроинструмент, если вы устали или находитесь под влиянием наркотиков, алкоголя или лекарств.** Малейшая неосторожность при работе с электроинструментом может привести к серьезным травмам.
  - b. **Используйте средства индивидуальной защиты. Всегда надевайте защитные очки. Другое защитное оборудование, включая респиратор, ботинки на нескользящей подошве, защитный шлем или средства защиты органов слуха, используемые в надлежащих условиях, уменьшат риск получения травмы.**

- c. Для предотвращения случайного запуска, убедитесь, что переключатель находится в выключенном положении перед подключением к источнику питания и/или аккумуляторной батарее, поднятия или переноски инструмента. Не переносите электроинструмент с пальцем на выключателе и не включайте питание на инструмент с включенным выключателем, что может привести к несчастному случаю.
- d. Перед включением электроинструмента снимайте регулировочный или гаечный ключ. Гаечный или регулировочный ключ, оставленный на вращающейся части электроинструмента, может привести к травме.
- e. Не тянитесь. Сохраняйте правильную стойку и баланс все время. Это позволяет лучше контролировать инструмент в неожиданных ситуациях.
- f. Одевайтесь правильно. Не надевайте свободную одежду или украшения. Держите волосы, одежду и перчатки вдали от движущихся частей. Свободная одежда, украшения или длинные волосы могут попасть в движущиеся части.
- g. Если имеются устройства для подключения пылесборника или вытяжки, убедитесь в том, что они подсоединены и используются правильно. Использование пылесборника снижает вероятность возникновения рисков, связанных с пылью.
- #### 4. Использование и уход за электроинструментом
- a. Не перегружайте электроинструмент. Используйте подходящий электрический инструмент для соответствующего применения. Правильно подобранный электроинструмент позволит выполнить работу лучше и безопаснее при скорости, для которой он был разработан.
- b. Не используйте электроинструмент, если переключатель не может его включить и выключить. Любой электроинструмент, который нельзя контролировать с помощью переключателя, опасен и должен быть отремонтирован.
- c. Отключите кабель питания от источника питания и/или аккумуляторный блок от электрического инструмента перед выполнением любых регулировок, замены принадлежностей или при хранении электроинструмента. Такие профилактические меры безопасности уменьшают риск непреднамеренного запуска электрического инструмента.
- d. Храните неиспользуемые электроинструменты в недоступном для детей месте и не позволяйте лицам, не знакомым с электроинструментом или данными инструкциями, работать с электроинструментом. Электроинструменты опасны в руках неопытных пользователей.
- e. Поддержание электроинструмента. Проверяйте регулируемость или соединение подвижных частей, поломки частей и любые другие условия, которые могут повлиять на работу электроинструмента. При наличии повреждения, отремонтируйте электроинструмент перед использованием. Многие несчастные случаи являются следствием плохого ухода за электроинструментом.
- f. Держите режущий инструмент острым и чистым. Хорошо ухоженный режущий инструмент с острыми режущими кромками легче контролировать.
- g. Используйте электроинструмент, принадлежности и сопла в соответствии с данными инструкциями и в порядке, предназначенном для конкретного типа электрического инструмента, принимая во внимание условия работы и характер выполняемой работы. Использование электрического инструмента для операций, отличающихся от тех, для которых он предназначен может привести к опасной ситуации.
- #### 5. Использование инструмента с батарейным питанием и уход
- a. Заряжайте только с помощью зарядного устройства, указанного производителем. Зарядное устройство, которое подходит к одному типу аккумуляторов, может создать риск пожара при использовании с другим аккумуляторным блоком.
- b. Используйте электроинструменты только с предназначенными для них аккумуляторами. Использование любых других аккумуляторов может создать риск получения травмы и пожара.



- c. Когда аккумулятор не используется, держите его подальше от металлических предметов, таких как скрепки, монеты, ключи, гвозди, шурупы или других мелких металлических предметов, которые могут установить соединение с одного терминала к другому. Короткое замыкание контактов аккумулятора может привести к ожогам или пожару.
- d. При неправильном обращении может потечь жидкость из батареи; избегайте контакта. При случайном контакте смойте водой. Если жидкость попала в глаза, обратитесь к врачу. Жидкость, вытекающая из аккумулятора, может вызвать раздражение или ожоги.
6. Обслуживание
- a. Если ваш электроинструмент обслуживается в авторизованном сервисном центре по ремонту с использованием только оригинальных запасных частей, это гарантирует безопасность электроинструмента.

### Дополнительные меры безопасности при работе с электроинструментами



**Предупреждение!** Дополнительные меры безопасности для дрелей и ударных дрелей:

- **Надевайте защитные наушники при работе с ударными дрелями.** Воздействие шума может привести к потере слуха.
- **Используйте дополнительные ручки,** поставляемые с инструментом. Потеря контроля может привести к травме.
- **Держите инструмент за изолированной поверхности при выполнении операций, когда режущий инструмент может задеть скрытую проводку.** Режущие аксессуары при контакте с «живым» проводом, могут открыть металлические части электроинструмента и ударить оператора электрическим током.
- **Держите инструмент за изолированные ручки при выполнении операций, крепежный элемент может контактировать со скрытой проводкой.** Крепеж, контактирующий с «живым» проводом, может открыть металлические части электроинструмента и ударить оператора электрическим током.

- **Используйте тиски или другое подходящее приспособление обеспечить и поддерживать обрабатываемое изделие на устойчивой платформе.** Проведение работы по направлению руки или против вашего тела, лишает устойчивости и может привести к потере контроля.
- Перед сверлением стен, полов и потолков, проверьте местоположение трубопроводов и электропроводки.
- Старайтесь не прикасаться к кончику сверла сразу же после окончания сверления, так как он может быть горячим.
- Этот инструмент не предназначен для использования лицами (включая детей) с ограниченными физическими, чувствительными или умственными способностями или с недостатком опыта или знаний, если они не были под контролем и руководством лица, контролирующего использование прибора или лицом, ответственным за их безопасность. Дети должны быть под присмотром взрослых, чтобы не допустить никаких игр с прибором.
- Назначение прибора описывается в данном руководстве. Использование любых принадлежностей или приспособлений, выполнение любых операций с помощью этого инструмента, не рекомендованные в данном руководстве, могут представлять опасность получения травм и/или повреждения имущества.

### Безопасность посторонних лиц

- Этот инструмент не предназначен для использования лицами (включая детей) с ограниченными физическими, чувствительными или умственными способностями или с недостатком опыта или знаний, если они не были под контролем и руководством лица, контролирующего использование прибора или ответственным за их безопасность.
- Дети должны быть под присмотром взрослых, чтобы не допустить никаких игр с прибором.

### Остаточные риски





Дополнительные остаточные риски могут возникнуть при использовании инструмента, который не может быть включен в описанные здесь правила техники

безопасности. Эти риски могут возникнуть при неправильном или продолжительном использовании изделия и т.п. Несмотря на соблюдение соответствующих правил техники безопасности и использование предохранительных устройств, некоторых остаточных рисков невозможно избежать. Они включают в себя:

- Травмы в результате касания вращающихся/движущихся частей.
- Риск получения травмы во время смены деталей инструмента, ножей или насадок.
- Травмы, вызванные продолжительным использованием инструмента. При использовании инструмента в течение продолжительного периода времени делайте регулярные перерывы в работе.
- Плохой слух
- Ущерб здоровью в результате вдыхания пыли при использовании инструмента (пример: работа с деревом, в особенности, древесиной дуба, бука и древесноволокнистой плитой средней плотности)

## Этикетки на инструменте

Этикетка на вашем инструменте может включать следующие символы:

	Читайте инструкции по эксплуатации	Гц ..... Герц Вт ..... Ватт		..... Конструкция класса II
	Используйте средства защиты глаз	мин..... минуты		..... Терминал заземления
	Используйте средства защиты органов слуха	~ ..... Переменный ток		..... Символ предупреждения об опасности
		==== ..... Постоянный ток	...мин..	..... обороты или возвратно-поступательное движение в минуту
V ..... Вольт		n <sub>0</sub> ..... Скорость без нагрузки		
A ..... Ампер				

## Положение даты штрих-кода

Дата кода, который также включает год изготовления, печатается на корпусе.

Пример:

2014 XX JN  
Год изготовления

## Дополнительные инструкции по технике безопасности для аккумуляторных батарей и зарядных устройств

### Батареи

- Никогда не пытайтесь открыть батареи по любой причине
- Не подвергайте батарею воздействию воды
- Не храните в местах, где температура может превысить 40°C
- Заряжайте аккумулятор только при температуре окружающей среды от 10°C до 40°C
- Заряжайте только с помощью зарядного устройства, поставляемого с инструментом.
- При утилизации батарей следуйте инструкциям, приведенным в разделе "Защита окружающей среды".



Не пытайтесь заряжать поврежденные

## Зарядные устройства

- Используйте зарядное устройство STANLEY только для зарядки аккумулятора, в комплект поставки которого он входит. Другие аккумуляторы могут взорваться, что приведет к травмам и повреждениям.
- Никогда не пытайтесь заряжать не перезаряжаемые батареи.
- Дефектные кабели следует немедленно заменить.
- Не подвергайте устройство воздействию воды.
- Не открывайте зарядное устройство.



Не касайтесь зарядного устройства. Зарядное устройство предназначено для использования только внутри помещений.



Прочитайте руководство по эксплуатации перед использованием.

## Электрическая безопасность



Ваше зарядное устройство защищено двойной изоляцией, поэтому заземляющий провод не требуется. Всегда проверяйте, чтобы напряжение сети соответствовало напряжению, указанному на заводской табличке. Никогда не пытайтесь заменить зарядный блок стандартным сетевым штепселем.

- Если шнур питания поврежден, он должен быть заменен производителем или уполномоченным сервисным центром STANLEY для того, чтобы избежать опасности.

## Характеристики

Этот инструмент включает в себя некоторые или все из следующих характеристик:

1. Переключатель плавного хода
2. Ползунок вперед/назад
3. Зажимной патрон
4. Воротник регулирования вращающего момента
5. Батарея
6. Скрепка пояса
7. Рабочий свет LED
8. Селектор скорости
9. Магнитный держатель сверла

## Рис. А

10. Зарядное устройство
11. Индикатор зарядки

## Сборка

**Предостережение!** Перед сборкой, извлеките аккумулятор из инструмента.

## Установка и снятие батареи (Рис. С)

- Для установки аккумулятора (5), установите его на линии с приёмным гнездом на инструменте. Вставьте

батарею в гнездо и жмите до тех пор, пока батарея не встанет на место.

- Чтобы извлечь аккумулятор, нажмите на кнопку съема (12) и в то же время извлеките аккумулятор из гнезда.

## Установка и снятие сверла или отвертки (рис. D)

Этот инструмент снабжен патроном без ключа, чтобы обеспечить простую смену сверла или отвертки.

- Заблокируйте инструмент, установив ползунок вперед/назад (2) в центральное положение.
- Возьмите патрон (3) и поверните его в направлении против часовой стрелки, если смотреть с конца патрона.
- Вставьте хвостовик (13) в патрон.
- Плотно затяните патрон, поверните его в направлении по часовой стрелке, если смотреть с конца патрона.

**Предостережение!** Не пытайтесь затянуть сверла (или любой другой аксессуар), удерживая его за переднюю часть патрона и включив инструмент. Повреждение патрона и травма могут произойти при смене принадлежностей, в этом порядке.

## Использование

**Предостережение!** Давайте инструменту работать в своем собственном темпе. Не перегружайте его.

## Зарядка аккумулятора (рис. А)

Батарея нуждается в зарядке перед первым использованием и каждый раз, когда она не обеспечивает достаточную мощность для работ, которые она до этого с легкостью выполняла. Батарея может нагреваться во время зарядки; это нормально и не указывает на наличие проблемы.

**Предостережение!** Не заряжайте аккумулятор при температуре окружающей среды ниже 10°C или выше 40°C. Рекомендуемая температура зарядки: прибл. 24°C.

**Примечание:** зарядное устройство не будет заряжать батарею, если температура камеры ниже 10°C или выше 40°C. Батарея должна быть в зарядном устройстве и зарядное устройство начнет заряжаться автоматически, когда температура камеры нагревается или охлаждается.

- Для зарядки аккумулятора (5), вставьте его в зарядное устройство (10). Батарею можно встроить в зарядное устройство только одним способом. Не применяйте силу. Будьте уверены, что аккумулятор полностью вставлен в зарядное устройство.
- Подключите зарядное устройство и включите в сеть.

Индикатор зарядки (11) будет мигать зеленым светом (медленно).

Когда зарядка будет завершена индикатор зарядки (11) загорается зеленым светом. Зарядное устройство и аккумулятор можно оставить подключенным на неопределенный срок с LED с подсветкой. Светодиод будет мигать зеленым (состояние зарядки) в то время, как как зарядное устройство время от времени подзаряжает батарею. Индикатор зарядки (11) будет гореть до тех пор, пока батарея подключена к зарядному устройству.

- Зарядка разряженных батарей в течение 1 недели. Срок службы батареи будет значительно меньше, если ее хранить в разряженном состоянии.

## Если оставить аккумулятор в зарядном устройстве

Зарядное устройство и аккумулятор можно оставить со светящимся LED на неопределенный срок. Зарядное устройство будет держать аккумулятор полностью заряженным.

## Диагностика зарядного устройства

Если зарядное устройство определит слабую или поврежденную батарею, индикатор зарядки (11) будет мигать красным цветом в быстром темпе. Действуйте следующим образом:

- Повторно вставьте батарею (5).
- Если индикатор зарядки продолжает мигать в быстром темпе, используйте другой аккумулятор, чтобы определить, что процесс зарядки работает должным образом.
- Если аккумулятор был заменен правильно, а оригинальный аккумулятор неисправен, он должен быть возвращен в сервисный центр на переработку.
- Если новый аккумулятор дает ту же индикацию, что и оригинальный аккумулятор, отправьте зарядное устройство на проверку в авторизованный сервисный центр.

**Примечание:** Процесс определения исправности батареи может занять до 60 минут. Если аккумулятор слишком горячий или слишком холодный, индикатор попеременно мигает красным, быстро и медленно, одна вспышка на каждой скорости и повторяется


## Выбор направления вращения (рис. E)

Для сверления и заворачивания шурупов, используйте вращение вперед (по часовой стрелке). Для раскручивания шурупов или извлечения застрявшего сверла используйте обратное вращение (против часовой стрелки).

- Чтобы выбрать прямое вращение, нажмите ползунок вперед/назад (2) влево.
- Чтобы выбрать обратное вращение, нажмите ползунок вперед/назад вправо.
- Чтобы заблокировать инструмент, установите ползунок вперед/назад в центральное положение.

## Выбор момента

Данный инструмент оснащен воротником, чтобы установить момент для различных функций заворачивания шурупов и сверления. Большие винты и заготовки из твердых материалов требуют более высокого значения крутящего момента, чем маленькие шурупы и заготовки из мягких материалов. Для определения символа обратитесь к приведенному ниже списку.

- Для сверления дерева, металла и пластмасс, установите воротник регулятора крутящего момента (4)  символ .
- Для завинчивания, установите поворотное кольцо в нужное положение. Если вы еще не знаете соответствующий параметр, выполните следующие действия:
  - Установите настройки воротника крутящего момента (4) на самое низкое значение крутящего момента.
  - Заверните первый винт.
  - Если сцепление трещотки достигает желаемого результата, увеличьте воротник и продолжите затягивать винт. Повторяйте, пока не достигнете нужной настройки. Используйте эту настройку для остальных винтов.

## Переключатель скорости

- Для сверления в стали и заворачивания саморезов, сдвиньте переключатель скорости (8) в направлении задней части инструмента (1 передача).
- Для сверления других материалов, отличных от стали, сдвиньте переключатель скорости (8) в направлении передней части инструмента (2-я передача).

## Оборудование для сверления/заворачивания саморезов

- Выберите прямое или обратное вращение с помощью ползунка прямого/обратного движения (2).
- Чтобы включить инструмент, нажмите выключатель (1). Скорость инструмента зависит от того, насколько вы нажмете на выключатель.
- Чтобы включить инструмент, отпустите выключатель.

## Рабочий свет LED

Рабочий свет LED (7) активируется автоматически, когда триггер находится в нерабочем состоянии. Рабочий свет LED будет гореть, когда триггер частично находится в нерабочем состоянии, прежде чем инструмент начнет работать.

## Советы по оптимальному использованию

### Бурение

- Всегда применяйте небольшое надавливание в прямой линии со сверлом.
- Перед тем, как наконечник сверла проходит с другой стороны заготовки, уменьшите давление на инструмент.
- Используйте деревянный брусок для резервного копирования деталей, которые могут расколоться.
- При сверле большого диаметра для сверления отверстий большого диаметра в дереве.
- Используйте сверла HSS для сверления в металле.
- Используйте сверла для каменной кладки при бурении в мягкой кладке.
- Используйте смазку при сверлении металла, кроме чугуна и латуни.
- Сделайте углубление с помощью кернера в центре отверстия, для более точного бурения.

## Завинчивание

- Всегда используйте правильный тип и размер отвертки.
- Если винты трудно затянуть, попробуйте нанести небольшое количество моющего средства или мыла в качестве смазки.
- Всегда держите инструмент и отвертки по прямой линии с винтом.

## Обслуживание

Ваш инструмент STANLEY был разработан, чтобы работать в течение длительного периода времени при минимальном техническом обслуживании. Срок службы и надежность зависит от правильного ухода и регулярной чистки.

Ваше зарядное устройство не требует никакого обслуживания, кроме регулярной чистки.

**Предупреждение!** Перед выполнением любых работ по техническому обслуживанию инструмента удалите батарею из инструмента. Отключите зарядное устройство перед чисткой.

- Регулярно очищайте вентиляционные прорези вашего электроинструмента и зарядного устройства мягкой щеткой или сухой тканью.
- Регулярно очищайте корпус двигателя влажной тканью. Не используйте абразивные материалы или материалы на основе растворителя для чистки.
- Регулярно открывайте патрон и поверните его, чтобы удалить пыль внутри.

## Батареи



Разрядите аккумулятор полностью, затем удалите его из инструмента.

- NiCd, NiMH и Li-Ion аккумуляторы пригодны для вторичной переработки. Сдайте их в любой авторизованный сервисный центр или в местный пункт переработки.

## Технические данные

STDC001L		
Напряжение	$V_{DC}$	10,8
Скорость без нагрузки	/мин	0-315, 0-1200
Макс. крутящий момент (РТИ рейтинг)	Nm	27
Емкость зажимного патрона	мм	10
<b>Макс. диаметр сверления</b>		
Сталь/дерево	мм	10/25
Вес	кг	1,1
<b>Зарядное устройство</b>		
Входное напряжение	$V_{AC}$	220-240
Выходное напряжение	$V_{DC}$	10,8
Выходной ток (DC)	A	2
Примерное время зарядки	мин	30
<b>Батарея</b>		
Напряжение	$V_{DC}$	10,8
Емкость	Ah	1,5
Тип		Li-Ion

## Защита окружающей среды



Раздельный сбор и утилизация. Этот продукт не следует утилизировать вместе с бытовым мусором.

Если вы поймете, что ваш продукт Stanley нуждается в замене, или если он не имеет никакого дальнейшего применения для вас, не выбрасывайте его вместе с бытовыми отходами. Предоставьте этот продукт для раздельного сбора/утилизации.



Раздельный сбор продуктов и упаковок позволяет осуществить их переработку и использовать их повторно. Повторное использование переработанных материалов помогает защищать окружающую среду от загрязнения и снижает расход сырьевых материалов.

Местное законодательство может обеспечить сбор старых электроинструментов отдельно от бытового мусора на муниципальных свалках отходов или в торговом предприятии при покупке нового изделия. Stanley обеспечивает возможность для сбора и утилизации продуктов Stanley, как только они достигли конца своего срока службы. Для того чтобы воспользоваться этой услугой, вы можете сдать ваше изделие в любой авторизованный сервисный центр, который собирает их по нашему поручению.

Вы можете узнать место нахождения вашего ближайшего авторизованного сервисного центра, обратившись в местное отделение Stanley по адресу, указанному в данном руководстве. Кроме того, список авторизованных ремонтных агентов Stanley и полную информацию о нашем послепродажном обслуживании и контактах вы можете найти в Интернете: [www.2helpU.com10](http://www.2helpU.com10)

## Два год полной гарантии

Если ваш продукт STANLEY выходит из строя из-за дефектных материалов или изготовления в течение 24 месяцев с даты покупки, STANLEY Europe гарантирует замену всех неисправных деталей бесплатно или - по своему усмотрению - замену продукта бесплатно при условии, что:

- Продукт использовался правильно, его эксплуатация проводилась строго в соответствии с инструкцией по эксплуатации.
- Продукт подвергался естественному износу;
- Ремонт не проводился посторонними лицами;
- Представлены документы, подтверждающие покупку.
- Продукт STANLEY возвращается в полном комплекте со всеми оригинальными компонентами

Если вы хотите сделать заявку, свяжитесь с продавцом или узнайте место нахождения вашего ближайшего авторизованного сервисного агента Stanley в каталоге Stanley или обратитесь в местное представительство Stanley по адресу, указанному в данном руководстве. Список авторизованных сервисных агентов Stanley и полную информацию о нашем послепродажном обслуживании можно найти в Интернете по адресу: [www.stanleytools.com](http://www.stanleytools.com)

# STANLEY

## Гарантийные условия

### Уважаемый покупатель!

1. Поздравляем Вас с покупкой высококачественного изделия STANLEY и выражаем признательность за Ваш выбор.
2. При покупке изделия требуйте проверки его комплектности и исправности в Вашем присутствии, инструкцию по эксплуатации и заполненный гарантийный талон на русском языке.

В гарантийном талоне должны быть внесены: модель, дата продажи, серийный номер, дата производства инструмента; название, печать и подпись торговой организации. При отсутствии у Вас правильно заполненного гарантийного талона, а также несоответствия указанных в нем данных мы будем вынуждены отклонить Ваши претензии по качеству данного изделия.

3. Во избежание недоразумений убедительно просим Вас перед началом работы с изделием внимательно ознакомиться с инструкцией по его эксплуатации. Правовой основой настоящих гарантийных условий является действующее Законодательство. Гарантийный срок на данное изделие составляет 24 месяца и исчисляется со дня продажи. В случае устранения недостатков изделия, гарантийный срок продлевается на период его нахождения в ремонте. Срок службы изделия составляет 5 лет со дня продажи.
4. В случае возникновения каких-либо проблем в процессе эксплуатации изделия рекомендуем Вам обращаться только в уполномоченные сервисные центры STANLEY, адреса и телефоны которых Вы сможете найти в гарантийном талоне, на сайте [www.2helpU.com](http://www.2helpU.com) или узнать в магазине. Наши сервисные станции - это не только квалифицированный ремонт, но и широкий ассортимент запчастей и принадлежностей.
5. Производитель рекомендует проводить периодическую проверку и техническое обслуживание изделия в уполномоченных сервисных центрах.

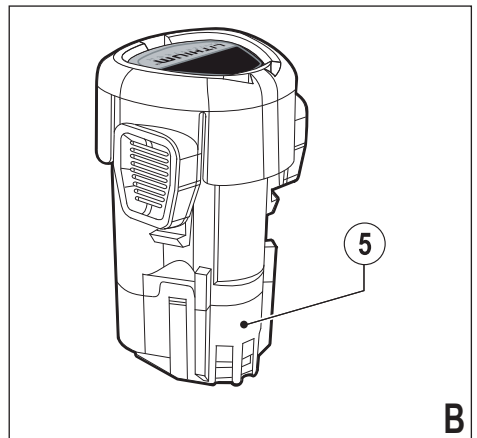
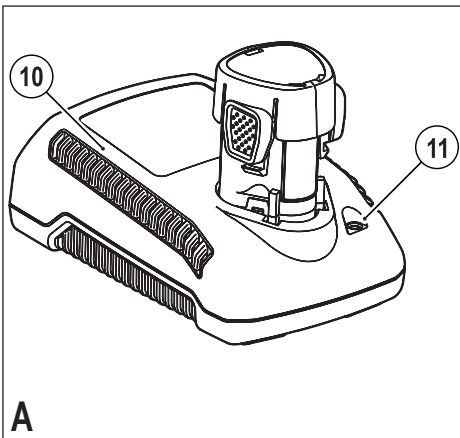
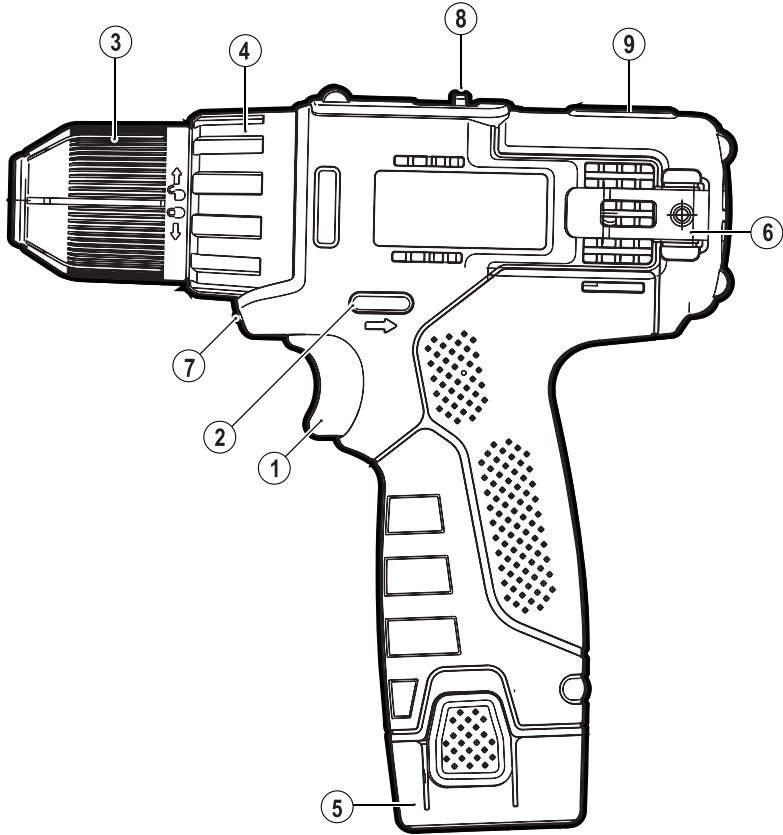


Изготовитель

Блэк энд Деккер Холдингс ГмбХ  
Германия, 65510, Идштайн,  
ул. Блэк энд Деккер, 40

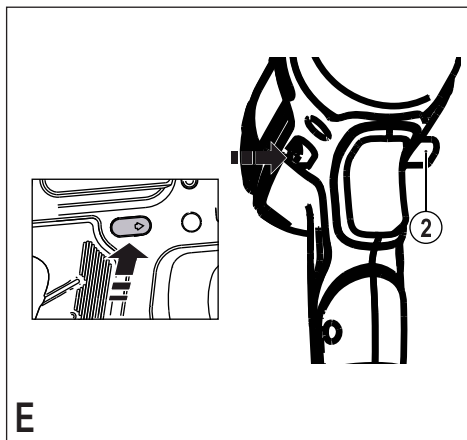
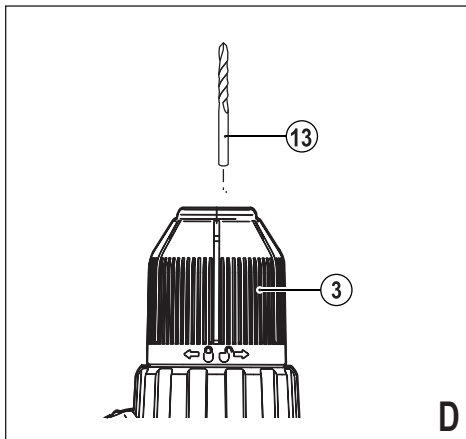
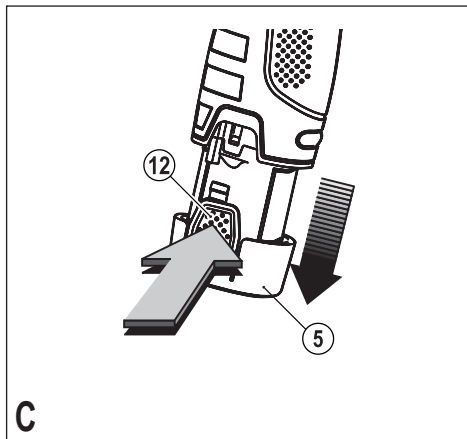
6. Наши гарантийные обязательства распространяются только на неисправности, выявленные в течение гарантийного срока и вызванные дефектами производства и/или материалов.
7. **Гарантийные условия не распространяются на неисправности изделия, возникшие в результате:**
  - 7.1. Несоблюдения пользователем предписаний инструкции по эксплуатации изделия, применения изделия не по назначению, неправильному хранении, использования принадлежностей, расходных материалов и запчастей, не предусмотренных производителем.
  - 7.2. Механического повреждения (сколы, трещины и разрушения) внутренних и внешних деталей изделия, основных и вспомогательных рукояток, сетевого электрического кабеля, вызванного внешним ударным или любым иным воздействием
  - 7.3. Попадания в вентиляционные отверстия и проникновение внутрь изделия посторонних предметов, материалов или веществ, не являющихся отходами, сопровождающими применение изделия по назначению, такими как: стружка, опилки, песок, и пр.
  - 7.4. Воздействий на изделие неблагоприятных атмосферных и иных внешних факторов, таких как дождь, снег, повышенная влажность, нагрев, агрессивные среды, несоответствие параметров питающей электросети, указанных на инструменте.
  - 7.5. Стихийного бедствия. Повреждение или утрата изделия, связанное с непредвиденными бедствиями, стихийными явлениями, в том числе вследствие действия непреодолимой силы (пожар, молния, потоп и другие природные явления), а так же вследствие перепадов напряжения в электросети и другими причинами, которые находятся вне контроля производителя.
8. **Гарантийные условия не распространяются:**
  - 8.1. На инструменты, подвергавшиеся вскрытию, ремонту или модификации вне уполномоченного сервисного центра.
  - 8.2. На детали и узлы, имеющие следы естественного износа, такие как: приводные ремни и колеса, угольные щетки, смазка, подшипники, зубчатое зацепление редукторов, резиновые уплотнения, сальники, направляющие ролики, муфты, выключатели, бойки, толкатели, стволы, и т.п.
  - 8.3. На сменные части: патроны, цанги, зажимные гайки и фланцы, фильтры, аккумуляторные батареи, ножи, шлифовальные подошвы, цепи, звездочки, пыльные шины, защитные кожухи, пилки, абразивы, пыльные и абразивные диски, фрезы, сверла, буры и т.п.
  - 8.4. На неисправности, возникшие в результате перегрузки инструмента (как механической, так и электрической), повлекшей выход из строя одновременно двух и более деталей и узлов, таких как: ротора и статора, обеих обмоток статора, ведомой и ведущей шестерни редуктора или других узлов и деталей. К безусловным признакам перегрузки изделия относятся, помимо прочих: появление цветов побежалости, деформация или оплавление деталей и узлов изделия, потемнение или обугливание изоляции проводов электродвигателя под воздействием высокой температуры.





A

B



## Використання за призначенням

Ваш верстат STANLEY був розроблений для стругання деревини, виробів з деревини і пластмаси. Інструмент призначений для ручного використання.

## Правила техніки безпеки

### Загальні попередження з техніки безпеки електроінструментів



**Увага! Ознайомтеся з усіма правилами безпеки та інструкціями.** Недотримання попереджень та інструкцій, зазначених нижче, може призвести до ураження електричним струмом, пожежі та/або серйозної травми.

### Збережіть всі попередження та інструкції для майбутнього використання.

Термін "електроінструмент" у всіх попередженнях, зазначених нижче, відноситься до мережевого (з кабелем) електроінструменту або акумуляторної батареї (без кабелю живлення).

#### 1. Безпека робочого місця

- a. Утримуєте робоче місце в чистоті і добре освітленим. Безлад на робочому місці або відсутність освітлення робочого місця може призвести до аварії.
- b. Не працюйте з електроінструментом в місці зберігання вибухонебезпечних матеріалів, наприклад, у присутності легкозаймистих рідин, газів або пилу. Електричні інструменти створюють іскри, що можуть запалити пил або пари.
- c. Діти і сторонні особи повинні знаходитися якнайдалі під час роботи з електроприладами. Ви можете відволіктися і втратити контроль.

#### 2. Електробезпека

- a. Вилка електроінструмента повинна відповідати розетці. Ніколи не змінюйте вилку будь-яким чином. Не використовуйте ніякі вилки-перехідники з заземленими (замкнутими на землю) електроінструментами. Вилки і розетки, які не піддавалися ніяким змінам знижують ризик ураження електричним струмом.

- b. Уникайте контакту тіла з заземленими поверхнями, такими як труби, радіатори, плити та холодильники. Існує підвищений ризик ураження електричним струмом, якщо ваше тіло заземлене.
- c. Уникайте будь-якого впливу дощу або вологи на електроінструменти. Вода, що потрапила в електроінструмент, збільшує ризик ураження електричним струмом.
- d. Обережно поведіться зі шнуром живлення. Ніколи не використовуйте шнур живлення для перенесення, переміщення або вилучення вилки з розетки. Тримайте шнур подалі від джерел тепла, масла, гострих країв або рухомих частин. Пошкоджені або заплутані шнури збільшують ризик ураження електричним струмом.
- e. При роботі з електроінструментом на вулиці, використовуйте подовжувач, відповідний для зовнішнього використання. Використання кабелю, придатного для використання на відкритому повітрі, знижує ризик ураження електричним струмом.
- f. При необхідності роботи з електроінструментом у вологому середовищі, використовуйте пристрій захисного відключення (ПЗВ). Використання ПЗВ знижує ризик ураження електричним струмом. Примітка: Термін "пристрій захисного відключення (ПЗВ)" може бути замінений на "аварійний переривач заземлення" або "автоматичний вимикач струму витоку".

#### 3. Особиста безпека

- a. Будьте уважні, дивіться, що ви робите, використовуйте здоровий глузд при роботі з електроприладами. Не використовуйте електроінструмент, якщо ви втомилися або перебуваєте під впливом наркотиків, алкоголю або ліків. Найменша необережність при роботі з електроінструментом може призвести до серйозних травм.
- b. Використовуйте засоби індивідуального захисту. Завжди надягайте захисні окуляри. Інше захисне обладнання, включаючи респіратор, черевки на нековзній підшві, захисний шолом або засоби захисту органів слуху, використовувани в належних умовах, зменшать ризик отримання травми.

- c. Для запобігання випадкового запуску, переконайтеся, що перемикач знаходиться у вимкненому положенні перед підключенням до джерела живлення та/або акумуляторної батареї, підняття або перенесення інструменту. Не переносьте електроінструмент з пальцем на вимикачі і не включайте електроживлення на інструмент з увімкненим вимикачем, що може призвести до нещасного випадку.
  - d. Перед включенням електроінструменту знімайте регулювальний або гайковий ключ. Гайковий або регулювальний ключ, залишений на обертовій частині електроінструменту, може призвести до травми.
  - e. Не тягніться. Зберігайте правильну стійку і баланс весь час. Це дозволяє краще контролювати інструмент в несподіваних ситуаціях.
  - f. Одягайтеся правильно. Не надягайте вільний одяг або прикраси. Тримайте волосся, одяг і рукавички далеко від рухомих частин. Вільний одяг, прикраси або довге волосся можуть потрапити в рухомі частини.
  - g. Якщо є пристрій для підключення пилосбірника або витяжки, переконайтеся в тому, що вони під'єднані і використовуються правильно. Використання пилосбірника знижує ймовірність виникнення ризиків, пов'язаних з пилом.
4. Використання та догляд за електроінструментом
- a. Не перевантажуйте електроінструмент. Використовуйте відповідний електричний інструмент для відповідного застосування. Правильно підібраний електроінструмент дозволить виконати роботу краще і безпечніше при швидкості, для якої він був розроблений.
  - b. Не використовуйте електроінструмент, якщо перемикач не може його включити і вимкнути. Будь-який електроінструмент, який не можна контролювати за допомогою перемикача, є небезпечний і повинен бути відремонтований.
  - c. Від'єднайте кабель живлення від джерела живлення та/або акумулятора від електричного інструменту перед виконанням будь-яких регулювань, заміни приладдя або при зберіганні електроінструменту. Такі профілактичні заходи безпеки зменшують ризик ненавмисного запуску електричного інструменту.
- d. Зберігайте електроприлади в недоступному для дітей місці і не дозволяйте особам, які не знайомі з електричними інструментом або даними інструкціями, працювати з електроприладами. Електроінструменти небезпечні в руках недосвідчених користувачів.
- e. Підтримання електроінструменту. Перевіряйте регульованість або з'єднання рухомих частин, поломки частин і будь-які інші умови, які можуть вплинути на роботу електроінструменту. При наявності пошкодження, відремонтуйте електроінструмент перед використанням. Багато нещасних випадків є наслідком поганого догляду за електроінструментом.
  - f. Тримайте ріжучий інструмент гострим і чистим. Добре доглянутий ріжучий інструмент з гострими ріжучими крайками легше контролювати.
  - g. Використовуйте електроприлади, приладдя та сопла відповідно до даних інструкцій і в порядку, призначеному для конкретного типу електричного інструменту, беручи до уваги умови роботи і характер виконуваної роботи. Використання електричного інструменту для операцій, які відрізняються від тих, для яких він призначений може призвести до небезпечної ситуації.
5. Використання інструменту з батарейним живленням і догляд
- a. Заряджайте тільки за допомогою зарядного пристрою, зазначеного виробником. Зарядний пристрій, який підходить до одного типу акумуляторів, може створити ризик пожежі при використанні з іншим акумуляторним блоком.
  - b. Використовуйте електроінструменти тільки з призначеними для них акумуляторами. Використання будь-яких інших акумуляторів може створити ризик отримання травми і пожежі.
  - c. Коли акумулятор не використовувати, тримайте його подалі від металевих предметів, таких як скріпки, монети, ключі, цвяхи, шурупи, або інших дрібних металевих предметів, які можуть встановити з'єднання з одного терміналу до іншого. Коротке замикання контактів акумулятора може призвести до опіків або пожежі.

d. При неправильному поводженні може потекти рідина з батареї; уникайте контакту. При випадковому контакті змийте водою. Якщо рідина потрапила в очі, зверніться до лікаря. Рідина з акумулятора, може викликати роздратування або опіки.

## 6. Обслуговування

a. Якщо ваш електроінструмент обслуговується в авторизованому сервісному центрі по ремонту з використанням тільки оригінальних запасних частин, це гарантує безпеку електроінструменту.

## Додаткові заходи безпеки при роботі з електроінструментами



**Warning!** Additional safety warnings for drills and impact drills

- **Попередження! Додаткові заходи безпеки для дрилів та ударних дрилів:**
- **Одягайте захисні навушники при роботі з ударними дрелями.** Вплив шуму може призвести до втрати слуху.
- **Використовуйте додаткові ручки, що поставляються з інструментом.** Втрата контролю може призвести до травми.
- **Тримайте інструмент за ізолюваній поверхні при виконанні операцій, коли ріжучий інструмент може зачепити приховану проводку.** Ріжучі аксесуари при контакті з «живим» проводом, можуть відкрити металеві частини електроінструменту і вдарити оператора електричним струмом.
- **Тримайте інструмент за ізолювані ручки при виконанні операцій, кріпильний елемент може контактувати з прихованою проводкою.** Кріплення, яке контактує з "живим" проводом, може відкрити металеві частини електроінструменту і вдарити оператора електричним струмом.
- **Використовуйте лещата або інший відповідний спосіб, щоб забезпечити і підтримувати оброблюваний виріб на стійкій платформі.** Проведення роботи по напрямку руки або проти вашого тіла, позбавляє стійкості і може призвести до втрати контролю.

- Перед свердлінням стін, підлог і стель, перевірте розташування трубопроводів і електропроводки.
- Намагайтеся не доторкатися до кінчика свердла відразу ж після закінчення свердління, так як він може бути гарячим.
- Цей інструмент не призначений для використання особами (включаючи дітей) з обмеженими фізичними, чутливими або розумовими здібностями або з браком досвіду чи знань, якщо вони не були під контролем і керівництвом особи, яка контролює використання приладу або особою, відповідальною за їх безпеку. Діти повинні бути під наглядом дорослих, щоб не допустити ніяких ігор з приладом.
- Призначення приладу описується в цьому посібнику. Використання будь-яких речей або пристосувань, виконання будь-яких операцій за допомогою цього інструменту, які не рекомендовані в цьому посібнику, можуть становити небезпеку отримання травм та/або пошкодження майна.

## Безпека сторонніх осіб

- Цей інструмент не призначений для використання особами (включаючи дітей) з обмеженими фізичними, чутливими або розумовими здібностями або з браком досвіду чи знань, якщо вони не були під контролем і керівництвом особи, яка контролює використання приладу або відповідальна за їх безпеку.
- Діти повинні бути під наглядом дорослих, щоб не допустити ніяких ігор з приладом.

## Залишкові ризики





Додаткові залишкові ризики можуть виникнути при використанні інструменту, який не може бути включений в описані тут правила техніки безпеки. Ці ризики можуть виникнути при неправильному або тривалому використанні виробу і т.п. Незважаючи на дотримання відповідних правил техніки безпеки та використання запобіжних пристроїв, деяких залишкових ризиків неможливо уникнути. Вони включають в себе:

- Травми в результаті торкання обертових/рухомих частин.
- Ризик отримання травми під час зміни деталей інструменту, ножів або насадок.

- Травми, викликані тривалим використанням інструменту. При використанні інструменту протягом тривалого періоду часу, робіть регулярні перерви в роботі.
- Поганий слух
- Збиток здоров'ю внаслідок вдихання пилу при використанні інструменту (приклад: роботи з деревом, особливо, деревиною дуба, бука і деревоволокнистими плитами середньої щільності)

## Етикетки на інструменті

Етикетки на вашому інструменті можуть включати такі символи:

	Читайте інструкції з експлуатації	Гц ..... Герц		..... Конструкція класу II
	Використовуйте засоби захисту очей	Вт ..... Ватт		..... Термінал заземлення
	Використовуйте засоби захисту органів слуху	мин ..... хвилини		..... Символ попередження про небезпеку
			..... Постійний струм	хв.. обороти або зворотно поступальний рух в хвилину
V ..... Вольт			..... Швидкість без навантаження	
A ..... Ампер		p <sub>0</sub> .....		

## Положення дати штрих-коду

Дата коду, який також включає рік виготовлення, друкується на корпусі.

Приклад:

2014 XX JN  
Рік виготовлення

## Додаткові інструкції з техніки безпеки для акумуляторних батарей та зарядних пристроїв

### Батареї

- Ніколи не намагайтеся відкрити батареї з будь-якої причини
- Не піддавайте батарею впливу води
- Не зберігайте в місцях, де температура може перевищити 40°C
- Заряджайте акумулятор тільки при температурі навколишнього середовища від 10°C до 40°C
- Заряджайте тільки за допомогою зарядного пристрою, що поставляється з інструментом.

- При утилізації батарей дотримуйтесь інструкцій, наведених у розділі "Захист навколишнього середовища".



Не намагайтеся заряджати пошкоджені батареї.

## Зарядні пристрої

- Використовуйте зарядний пристрій STANLEY тільки для зарядки акумулятора, в комплект поставки якого він входить. Інші акумулятори можуть вибухнути, що призведе до травм і пошкоджень.
- Ніколи не намагайтеся заряджати незаряджаємі акумуляторні батареї.
- Дефектні кабелі слід негайно замінити.
- Не піддавайте пристрій впливу води.
- Не відкривайте зарядний пристрій.



Не можна торкатися зарядного пристрою. Зарядний пристрій призначений для використання тільки всередині приміщень.



Прочитайте посібник з експлуатації перед використанням.

## Електрична безпека



Ваш зарядний пристрій захищено подвійною ізоляцією, тому заземлюючий провід не потрібен. Завжди перевіряйте, щоб напруга мережі відповідала напрузі, вказаній на табличці. Ніколи не намагайтеся замінити зарядний блок стандартним мережевим штепселем.

- Якщо шнур живлення пошкоджений, він повинен бути замінений виробником або уповноваженим сервісним центром STANLEY для того, щоб уникнути небезпеки.

## Характеристики

Цей інструмент включає в себе деякі або всі з таких характеристик:

1. Перемикач плавного ходу
2. Повзунок вперед/назад
3. Затискний патрон

4. Комір регулювання обертального моменту
5. Батарея
6. Скрепка пояса
7. Робоче світло LED
8. Селектор швидкості
9. Магнітний тримач свердла

## Мал. А

10. Зарядний пристрій
11. Індикатор зарядки

## Збірка

**Застереження!** Перед збіркою, вийміть акумулятор з інструменту.

## Установка і зняття батареї (мал. С)

- Для установки акумулятора (5), встановіть його на лінії з прийомним гніздом на інструменті. Вставте батарею в гніздо і тисніть до тих пір, поки батарея не стане на місце.
- Щоб витягти акумулятор, натисніть на кнопку знімання (12) і в той же час виймайте акумулятор з гнізда.

## Установка і зняття свердла або викрутки (мал. D)

Цей інструмент забезпечений патроном без ключа, щоб забезпечити просту зміну свердла або викрутки.

- Заблокуйте інструмент, встановивши повзунок вперед/назад (2) в центральне положення.
- Візьміть патрон (3) і поверніть його в напрямку проти годинникової стрілки, якщо дивитися з кінця патрона.
- Вставте хвостовик (13) в патрон.
- Щільно затягніть патрон, поверніть його в напрямку за годинниковою стрілкою, якщо дивитися з кінця патрона.

**Застереження!** Не намагайтеся затягнути свердла (або будь-який інший аксесуар), утримуючи його за передню

частину патрона і включивши інструмент. Пошкодження патрона і травма можуть відбутися при зміні приладдя, в цьому порядку.

## Використання

**Застереження!** Давайте інструменту працювати у своєму власному темпі. Не перевантажуйте його.

## Зарядка акумулятора (мал. А)

Батарея потребує зарядки перед першим використанням і кожен раз, коли вона не забезпечує достатню потужність для робіт, які вона до цього з легкістю виконувала. Батарея може нагріватися під час зарядки; це нормально і не вказує на наявність проблеми.

**Застереження!** Не заряджайте акумулятор при температурі навколишнього середовища нижче 10°C або вище 40°C. Рекомендована температура зарядки прибл. 24°C.

**Примітка:** зарядний пристрій не буде заряджати батарею, якщо температура камери нижче 10°C або вище 40°C. Батарея повинна бути в зарядному пристрої і зарядний пристрій почне заряджатися автоматично, коли температура камери нагрівається або охолоджується.

- Для зарядки акумулятора (5), вставте його в зарядний пристрій (10). Батарею можна вбудувати в зарядний пристрій тільки одним способом. Не застосовуйте силу. Будьте впевнені, що акумулятор повністю вставлений в зарядний пристрій.
- Підключіть зарядний пристрій і включіть його в мережу.

Індикатор зарядки (11) буде блимати зеленим світлом (повільно).

Коли зарядка буде завершена індикатор зарядки (11) загоряється зеленим світлом. Зарядний пристрій і акумулятор можна залишити підключеним на невизначений строк з LED підсвіткою. Світлодіод буде блимати зеленим (стан зарядки) в той час, як зарядний пристрій час від часу заряджає батарею. Індикатор зарядки (11) буде горіти до тих пір, поки батарея підключена до зарядного пристрою.

- Зарядка виряджених батарей протягом 1 тижня. Термін служби батареї буде значно менше, якщо її зберігати в розрядженому стані.

## Якщо залишити акумулятор в зарядному пристрої

Зарядний пристрій і акумулятор можна залишити зі світловим LED на невизначений термін. Зарядний пристрій буде тримати акумулятор повністю зарядженим.

## Діагностика зарядного пристрою

Якщо зарядний пристрій визначить слабку або пошкоджену батарею, індикатор зарядки (11) буде блимати червоним кольором у швидкому темпі. Дійте наступним чином:

- Повторно вставте батарею (5).
- Якщо індикатор зарядки продовжує мигати в швидкому темпі, використовуйте інший акумулятор, щоб визначити, що процес зарядки працює належним чином.
- Якщо акумулятор був замінений правильно, а оригінальний акумулятор несправний, він повинен бути повернутий у сервісний центр для переробки.
- Якщо новий акумулятор дає ту ж індикацію як оригінальний акумулятор, відправте зарядний пристрій на перевірку в авторизований сервісний центр.

**Примітка:** Процес визначення справності батареї може зайняти до 60 хвилин. Якщо акумулятор занадто гарячий або занадто холодний, індикатор попеременно блимає червоним, швидко і повільно, один спалах на кожній швидкості і все повторюється


## Вибір напрямку обертання (мал. Е)

Для свердління й загвинчування, використовуйте обертання вперед (за годинниковою стрілкою). Для розкручування шурупів або вилучення застряглого свердла використовуйте зворотне обертання (проти годинникової стрілки).

- Щоб вибрати пряме обертання, натисніть повзунок вперед/назад (2) вліво.
- Щоб вибрати зворотне обертання, натисніть повзунок вперед/назад вправо.
- Щоб заблокувати інструмент, встановіть повзунок вперед/назад в центральне положення.

## Вибір моменту

Даний інструмент оснащений коміром, щоб встановити момент для різних функцій завертання шурупів та свердління. Великі гвинти і заготовки з твердих матеріалів вимагають більш високого значення крутного моменту, ніж маленькі шурупи і заготовки з м'яких матеріалів. Для визначення символу зверніться до наведеного нижче списку.

- Для свердління дерева, металу і пластмас, встановіть комір регулятора крутного моменту (4)  символ .
- Для загвинчування, встановіть поворотне кільце в потрібне положення. Якщо ви ще не знаєте відповідний параметр, виконайте такі дії:
  - Встановіть налаштування коміра крутного моменту (4) на найнижче значення крутного моменту.
  - Загорніть перший гвинт.
  - Якщо зчеплення тріскачки досягає бажаного результату, збільшіть комір і продовжуйте затягувати гвинт. Повторюйте, поки не досягнете потрібної настройки. Використовуйте це налаштування для решти гвинтів.

## Перемикач швидкості

- Для свердління сталі та загвинчування саморізів, посуňte перемикач швидкості (8) у напрямку задньої частини інструменту (1 передача).
- Для свердління інших матеріалів, відмінних від сталі, посуňte перемикач швидкості (8) у напрямку передньої частини інструменту (2-я передача).

## Обладнання для свердління/загвинчування саморізів

- Виберіть пряме або зворотне обертання за допомогою повзунка прямого/зворотного руху (2).
- Щоб включити інструмент, натисніть вимикач (1). Швидкість інструменту залежить від того, наскільки ви натиснете на вимикач.
- Щоб включити інструмент, відпустіть вимикач.



## Робоче світло LED

Робоче світло LED (7) активується автоматично, коли тригер знаходиться в неробочому стані. Робоче світло LED горітиме, коли тригер частково знаходиться в неробочому стані, перш ніж інструмент почне працювати.

## Поради по оптимальному використанню

### Буріння

- Завжди застосовуйте невелике натискання у прямій лінії зі свердлом.
- Перед тим, як наконечник свердла проходить з іншого боку заготовки, зменшіть тиск на інструмент.
- Використовуйте дерев'яний брусок для резервного копіювання деталей, які можуть розколотися.
- При свердлі великого діаметру для свердління отворів великого діаметру в дереві.
- Використовуйте свердла HSS для свердління в металі.
- Використовуйте свердла для кам'яної кладки при бурінні в м'якій кладці.
- Використовуйте мастило при свердлінні металу, крім чавуну і латуні.
- Зробіть поглиблення за допомогою кернера в центрі отвору для більш точного буріння.

### Загвинчування

- Завжди використовуйте правильний тип і розмір викрутки.
- Якщо гвинти важко затягнути, спробуйте нанести невелику кількість м'якого засобу або мила у якості мастила.
- Завжди тримайте інструмент та викрутки по прямій лінії з гвинтом.

### Обслуговування

Ваш інструмент STANLEY був розроблений, щоб працювати протягом тривалого періоду часу при мінімальному технічному обслуговуванні. Термін служби і надійність залежить від правильного догляду та регулярного чищення.

Ваше зарядний пристрій не вимагає ніякого обслуговування, крім регулярного чищення.

**Попередження!** Перед виконанням будь-яких робіт з технічного обслуговування інструменту, видаліть батарею з інструменту. Від'єднайте зарядний пристрій перед чищенням.

- Регулярно очищайте вентиляційні прорізи вашого електроінструменту і зарядного пристрою м'якою щіткою або сухою тканиною.
- Регулярно очищайте корпус двигуна вологою тканиною. Не використовуйте абразивні матеріали або матеріали на основі розчинника для чищення.
- Регулярно відкривайте патрон і поверніть його, щоб видалити пил всередині.

### Батареї



Розрядите акумулятор повністю, потім видаліть його з інструменту.

- NiCd, NiMH і Li-Ion акумулятори придатні для вторинної переробки. Здайте їх у будь-який авторизований сервісний центр або в місцевий пункт переробки.

### Технічні дані

STDC001L		
Напруга	$V_{DC}$	10,8
Швидкість без навантаження	/хв.	0-315, 0-1200
Макс. крутний момент (PTI рейтинг)	Nm	27
Ємність затисненого патрона	мм	10
<b>Макс. діаметр свердлення</b>		
Сталь/дерево	мм	10/25
Вага	кг	1,1
<b>Зарядний пристрій</b>		
Вхідна напруга	$V_{AC}$	220-240
Вихідна напруга	$V_{DC}$	10,8
Вихідний струм (DC)	A	2
Приблизний час заряджання	хв.	30
<b>Батарея</b>		
Напруга	VDC	10,8
Ємність	Ah	1,5
Тип		Li-Ion

## Захист навколишнього середовища



Роздільний збір і утилізація. Цей продукт не слід утилізувати разом з побутовим сміттям.

Якщо ви зрозумієте, що ваш продукт Stanley потребує заміни, або якщо він не має ніякого подальшого застосування для вас, не викидайте його разом з побутовими відходами. Надайте цей продукт для роздільного збору/утилізації.



Роздільний збір продуктів і упаковок дозволяє здійснити їх переробку і використати їх повторно. Повторне використання

перероблених матеріалів допомагає захищати довкілля від забруднення і знижує витрату сировинних матеріалів.

Міське законодавство може забезпечити збір старих електроінструментів окремо від побутового сміття на муніципальних звалищах відходів або в торговому підприємстві при купівлі нового виробу. Stanley забезпечує можливість для збору і утилізації продуктів Stanley, як тільки вони досягли кінця свого терміну служби. Для того, щоб скористатися цією послугою, ви можете здати ваш виріб у будь-який авторизований сервісний центр, який збирає їх за нашим дорученням.

Ви можете упізнати місце знаходження вашого найближчого авторизованого сервісного центру, звернувшись в міське відділення Stanley за адресою, вказаною в цьому керівництві. Крім того, список авторизованих ремонтних агентів Stanley і повну інформацію про наше післяпродажне обслуговування і контакти ви можете знайти в Інтернеті: [www.2helpu.com10](http://www.2helpu.com10)

## Два рік повної гарантії

Якщо ваш продукт STANLEY виходить з ладу із-за дефектних матеріалів або виготовлення впродовж 24 місяців з дати купівлі, STANLEY Europe гарантує заміну усіх несправних деталей безкоштовно або - на власний розсуд - заміну продукту безкоштовно за умови, що:

- Продукт використовувався правильно, його експлуатація проводилася строго відповідно до інструкції з експлуатації.
- Продукт піддавався звичайному зносу;
- Ремонт не проводився сторонніми особами;
- Представлені документи, що підтверджують купівлю.
- Продукт STANLEY повертається в повному комплекті з усіма оригінальними компонентами

Якщо ви хочете зробити заявку, зв'яжіться з продавцем або з'ясуйте місце знаходження вашого найближчого авторизованого сервісного агента Stanley в каталозі Stanley або зверніться в міське представництво Stanley за адресою, вказаною в цьому посібнику. Список авторизованих сервісних агентів Stanley і повну інформацію про наше післяпродажне обслуговування можна знайти в Інтернеті за адресою: [www.stanleytools.com](http://www.stanleytools.com)

# STANLEY

## Гарантійні умови

### Шановний покупець!

1. Вітаємо Вас з покупкою високоякісного виробу STANLEY і висловлюємо вдячність за Ваш вибір.
2. При покупці виробу вимагайте перевірки його комплекtnості і справності у Вашій присутності, інструкцію з експлуатації та заповнений гарантійний талон українською мовою

В гарантійному талоні повинні бути внесені: модель, дата продажу, серійний номер, дата виробництва інструменту; назва, печатка і підпис торгової організації. За відсутності у Вас правильно заповненого гарантійного талону, а також при невідповідності зазначених у ньому даних ми будемо змушені відхилити Ваші претензії щодо якості даного виробу.

3. Щоб уникнути непорозумінь, переконливо просимо Вас перед початком роботи з виробом уважно ознайомитися з інструкцією з його експлуатації. Правовою основою справжніх гарантійних умов є чинне Законодавство. Гарантійний термін на даний виріб складає 24 місяці і обчислюється з дня продажу. У разі усунення недоліків виробу, гарантійний строк продовжується на період його перебування в ремонті. Термін служби виробу становить 5 років з дня продажу.
  4. У разі виникнення будь-яких проблем у процесі експлуатації виробу рекомендуємо Вам звертатися тільки в уповноважені сервісні центри STANLEY, адреси та телефони яких Ви зможете знайти в гарантійному талоні, на сайті [www.2helpU.com](http://www.2helpU.com) або дізнатися в магазині. Наші сервісні станції - це не тільки кваліфікований ремонт, але і широкий асортимент запчастин і аксесуарів.
  5. Виробник рекомендує проводити періодичну перевірку і технічне обслуговування виробу в уповноважених сервісних центрах.
  6. Наші гарантійні зобов'язання поширюються тільки на несправності, виявлені протягом гарантійного терміну і викликані дефектами виробництва та на об'єкти матеріалів.
  7. Гарантійні умови не поширюються на несправності виробу, що виникли в результаті:
- 7.1 Недотримання користувачем приписів інструкції з експлуатації виробу, застосування виробу не за призначенням, неправильного зберігання, використання приладдя, витратних матеріалів і запчастин, що не передбачені виробником.
  - 7.2 Механічного пошкодження (відколю, тріщини і руйнування) внутрішніх і зовнішніх деталей виробу, основних і допоміжних рукояток, мережевого кабелю, що викликані зовнішнім ударним або будь-яким іншим впливом

- 7.3 Потрапляння у вентиляційні отвори та проникнення всередину виробу сторонніх предметів, матеріалів або речовин, що не є відходами, які супроводжують застосування виробу за призначенням, такими як: стружка, тирса, пісок, та ін.
- 7.4 Впливу на виріб несприятливих атмосферних і інших зовнішніх факторів, таких як дощ, сніг, підвищена вологість, нагрівання, агресивні середовища, невідповідності параметрів електромережі, що зазначені на інструменті.
- 7.5 Стихійного лиха. Пошкодження або втрати виробу, що пов'язані з непередбаченими лихами, стихійними явищами, у тому числі внаслідок дії непереборної сили (пожежа, блискавка, потоп і інші природні явища), а також внаслідок перепадів напруги в електромережі та іншими причинами, які знаходяться поза контролем виробника.
8. Гарантійні умови не поширюються:
  - 8.1. На інструменти, що піддавались розкриттю, ремонту або модифікації поза уповноваженим сервісним центром.
  - 8.2. На деталі, вузли та матеріали, що мають сліди природного зносу, такі як: приводні ремені і колеса, вугільні щітки, мастило, підшипники, зубчасті зчеплення редукторів, гумові ущільнення, сальники, направляючі ролики, муфти, вимикачі, бойки, штовхачі, стволі тощо.
  - 8.3. На змінні частини: патрони, цанги, затискові гайки і фланці, фільтри, акумуляторні батареї, ножі, шліфувальні підшви, ланцюги, зірочки, пильні шини, захисні кожухи, пилки, абразиви, пильні і абразивні диски, фрези, свердла, бури тощо
  - 8.4. На несправності, що виникли в результаті перевантаження інструменту (як механічного, так і електричного), що спричинили вихід з ладу одночасно двох і більше деталей і вузлів, таких як: ротора і статора, обох обмоток статора, веденої і ведучої шестерень редуктора або інших вузлів і деталей. До безумовних ознак перевантаження виробу відносяться, крім інших: поява кольорів мінливості, деформація або оплавлення деталей і вузлів виробу, потемніння або обуглювання ізоляції проводів електродвигуна під впливом високої температури.



Виробник:  
 "Stanley Black & Decker Deutschland GmbH" Black-&-Decker Str.40, D-65510 Idstein, Німеччина

## ضمان شامل لعام اثنان

## حماية البيئة

إذا وجد في منتج ستانلي عيوب تصنيع أو عيوب مواد في غضون ٢٤ شهراً من تاريخ الشراء، تضمن لك ستانلي يوروب استبدال كافة الأجزاء المعيبة دون مقابل أو - وفقاً لتقديرنا - استبدال الوحدة دون مقابل شريطة:

- عدم إساءة استخدام الجهاز وأن يكون الجهاز قد تم استخدامه وفقاً لدليل التعليمات؛

- تعرض الجهاز للبلبى العادي بالاستعمال؛

- عدم القيام بأي إصلاحات بواسطة أشخاص غير معتمدين؛

- تقديم إثبات للشراء؛

- إعادة منتج ستانلي مكتملاً مع كافة مكوناته الأصلية

إذا كنت ترغب في إقامة دعوى، اتصل بالبائع أو تحقق من موقع أقرب وكيل إصلاح معتمد من ستانلي في دليل ستانلي أو اتصل بمكتب ستانلي المحلي على العنوان المشار إليه في الدليل. توجد قائمة بوكلاء الإصلاح المعتمدين من ستانلي وبياناتهم الكاملة لخدمات ما بعد البيع على موقع الإنترنت: [www.stanleytools.com](http://www.stanleytools.com).

فرز النفايات. يجب عدم وضع هذا المنتج مع النفايات المنزلية العادية.



إذا وجدت في يوم ما أنك بحاجة إلى استبدال منتج ستانلي، أو إذا لم تعد بحاجة إلى استخدامه، فلا تتخلص منه مع النفايات المنزلية. وقم بإتاحته للفرز.

يتيح فرز المنتجات المستخدمة وتغليفها بإعادة تدوير المواد



وإستخدامها مرة أخرى. حيث يساعد إعادة استخدام المواد المعاد تدويرها في منع التلوث البيئي ويقلل من الطلب على المواد الخام.

وقد تنص اللوائح المحلية على فرز المنتجات الكهربائية عن النفايات المنزلية في مواقع نفايات البلدية أو بواسطة بائع التجزئة عند شراء منتج جديد. وتوفر ستانلي مرافق لجمع وإعادة تدوير منتجات ستانلي حينما تصل إلى نهاية عمرها الافتراضي للعمل. للاستفادة من هذه الخدمة، برجاء إعادة المنتج إلى أي وكيل إصلاح معتمد يقوم بجمعها نيابة عنا.

يمكنك التحقق من موقع أقرب وكيل إصلاح معتمد من خلال الاتصال بمكتب ستانلي المحلي على العنوان المشار إليه في الدليل. وبدلاً من ذلك، توجد قائمة بوكلاء الإصلاح المعتمدين من ستانلي وبياناتهم الكاملة لخدمات ما بعد البيع وبيانات اتصالاتهم على موقع الإنترنت: [www.rhelpU.com](http://www.rhelpU.com).

## البطاريات

أفرغ البطارية تماماً، ثم انزعها من الجهاز.



- بطاريات النيكل كادميوم والنيكل هيدريد الغلز والليثيوم أيون قابلة لإعادة التدوير. اصطحبها إلى أي وكيل إصلاح معتمد أو محطة إعادة تدوير محلية.

## البيانات الفنية

STDC001L	
10.8	الجهـ الكهربـي جهـ تيار مستمر
0-315/0-1200	السرعة بـون حمل دقيقة
27	الحد الأقصى لعزم الـوران نيوتن متر (تصنيف PTI)
10	سعة قابس لقم الثقب ملم
السعة القصوى للثقب	
10/25	الحدـيـ/ الخشب ملم
1.1	الوزن كجم
الشاحن	
220-240	الجهـ الكهربـي الـاخل جهـ تيار متردد
10.8	الجهـ الكهربـي الخارج جهـ تيار مستمر
2	تيار الخرج (مستمر) أمبير
30	وقت الشحن التقريبي دقيقة
البطارية	
10.8	الجهـ الكهربـي جهـ تيار مستمر
1.5	السعة أمبير/ساعة
النوع ليثيوم أيون	

## نصائح للاستخدام الأمثل

## الثقب

- احرص دوماً على الضغط برفق بلقمة الثقب في خط مستقيم.
- قبل أن يخترق رأس المثقب الطرف الآخر من قطعة العمل، قلل الضغط على الجهاز.
- استخدم قطعة من الخشب لدعم قطع العمل التي قد تتحول إلى شظايا.
- استخدم لقم مجرفة عند ثقب فتحات ذات قطر كبير في الخشب.
- استخدم لقب ثقب فولاذية عالية السرعة عند الثقب في المعادن.
- استخدم لقم ثقب الخرسانة عن الثقب في الخرسانة الخفيفة.
- استخدم مزلق عند الثقب في معادن غير حديد الزهر والنحاس الأصفر.
- قم بعمل تجويف باستخدام مثقاب مركزي في منتصف الفتحة المطلوب ثقبها لدقة الأداء.

## فك البراغي

- احرص دائماً على استخدام النوع والمقاس الصحيح من لقمة مفك البراغي.
- إذا كانت البراغي مربوطة بإحكام، فحاول استخدام مقدار بسيط من سائل غسيل أو صابون كمزيت.
- ضع الجهاز ولقمة مفك البراغي في خط مستقيم مع البرغي.

## الصيانة

- تم تصميم جهاز ستانلي للعمل لفترة طويلة من الوقت دون إجراء الكثير من الصيانة عليه. ويعتمد التشغيل المرضي المستمر على العناية المناسبة بالجهاز والتنظيف الدوري.
- لا يتطلب الشاحن أي صيانة غير التنظيف الدوري.

تحذيراً قبل إجراء أي صيانة على الجهاز، انزع البطارية من الجهاز. وانزع الشاحن من المقبس قبل تنظيفه.

- قم بتنظيف فتحات التهوية باستمرار في الجهاز والشاحن باستخدام فرشاة ناعمة أو قطعة قماش جافة.
- قم بتنظيف غطاء المحرك باستمرار باستخدام قطعة قماش رطبة.
- لا تستخدم أي مادة كاشطة أو منظف مصنوع من مادة مذيبة.
- افتح قابض لقم المثقب وانقر عليه لإزالة الأتربة من الداخل.

- سوف يومض مؤشر الشحن (١١) باللون الأخضر باستمرار (ببطء).
- ويكون توصيل الشاحن مكتملاً حينما يومض مؤشر الشحن باللون الأخضر باستمرار. يمكن ترك الشاحن والبطارية متصلين إلى مالا نهاية ويكون مؤشر LED وامضاً. سوف ينتقل مؤشر LED إلى حالة الوميض باللون الأخضر (الشحن) حيث يقوم الشاحن بين الحين والآخر بتعويض ما نقص من شحن البطارية. سيكون مؤشر الشحن (١١) وامضاً طالما أن الشاحن موصلاً بالمقبس.
- اشحن البطاريات الفارغة في غضون أسبوع واحد. سوف يقل عمر البطارية بشكل كبير في حالة تخزينها وهي فارغة.

### ترك البطارية في الشاحن

- يمكن ترك الشاحن وعلبة البطارية متصلين مع وميض مؤشر LED إلى مالا نهاية. سوف يعمل الشاحن على تنشيط علبة البطارية وشحنها بالكامل.
- تشخيصات الشاحن

إذا اكتشف الشاحن أن البطارية ضعيفة أو تالفة، سوف يومض مؤشر الشحن (١١) باللون الأحمر بمعدل سريع. اتبع الإجراءات التالية.

- أعد إدخال البطارية (٥).
- إذا استمرت مؤشرات الشحن في الوميض باللون الأحمر بمعدل سريع، استخدم بطارية أخرى لتحديد ما إذا كانت عملية الشحن تعمل بشكل مناسب.
- في حالة شحن البطارية المستبدلة بشكل صحيح، فإن ذلك يدل على أن البطارية الأصلية معيبة ويجب إعادتها إلى مركز خدمة لإعادة التدوير.
- وإذا كانت البطارية الجديدة تعطي نفس إشارة البطارية الأصلية، فاصطحب الشاحن إلى مركز خدمة معتمد لفحصه.

### محدد السرعة

- للثقب في الصلب ولاستعمالات فك البراغي، مرر محدد السرعة (A) تجاه مؤخرة الجهاز (الترس الأول).
- للثقب في مواد أخرى غير الصلب، مرر محدد السرعة (A) تجاه مقدمة الجهاز (الترس الثاني).

### الثقب/ فك البراغي

- حدد اتجاه الدوران الأمامي أو العكسي باستخدام المنزلق الأمامي/العكسي (٢).
- لتشغيل الجهاز، اضغط على المفتاح (١). تتوقف سرعة الجهاز على مدى الضغط على المفتاح.
- لإيقاف تشغيل الجهاز، حرر المفتاح.

### ضوء مؤشر LED

- يتم تنشيط ضوء مؤشر LED (٧) تلقائياً عند الضغط على زر التشغيل. ويضيء مؤشر LED عند الضغط على زر التشغيل بشكل جزئي، قبل أن تبدأ الوحدة في العمل.

يمكن ترك الشاحن وعلبة البطارية متصلين مع وميض مؤشر LED إلى مالا نهاية. سوف يعمل الشاحن على تنشيط علبة البطارية وشحنها بالكامل.

### تشخيصات الشاحن

إذا اكتشف الشاحن أن البطارية ضعيفة أو تالفة، سوف يومض مؤشر الشحن (١١) باللون الأحمر بمعدل سريع. اتبع الإجراءات التالية.

- أعد إدخال البطارية (٥).
- إذا استمرت مؤشرات الشحن في الوميض باللون الأحمر بمعدل سريع، استخدم بطارية أخرى لتحديد ما إذا كانت عملية الشحن تعمل بشكل مناسب.
- في حالة شحن البطارية المستبدلة بشكل صحيح، فإن ذلك يدل على أن البطارية الأصلية معيبة ويجب إعادتها إلى مركز خدمة لإعادة التدوير.
- وإذا كانت البطارية الجديدة تعطي نفس إشارة البطارية الأصلية، فاصطحب الشاحن إلى مركز خدمة معتمد لفحصه.

ملاحظة: قد يستغرق الأمر ٦٠ دقيقة لتحديد ما إذا كانت البطارية معيبة. إذا كانت البطارية ساخنة للغاية أو باردة للغاية، فسوف يومض مؤشر LED باللون الأحمر، بسرعة وببطء، ومضة واحدة مع كل سرعة ومع كل تكرار.

تحديد اتجاه الدوران (الشكل هـ)

للثقب وتثبيت البراغي، استخدم الدوران للأمام (اتجاه عقارب الساعة). وفك البراغي أو إزالة لقمة المثقب المضغوط، استخدم الدوران للعكس (عكس اتجاه عقارب الساعة).

- لاختيار الدوران الأمامي، ادفع المنزلق الأمامي/العكسي (٢) إلى اليسار.

**تركيب وإزالة البطارية (الشكل ج)**

- لتركييب البطارية (٥)، قم بتوصيلها بالمقبس الموجود في الجهاز. ضع البطارية في المقبس وادفع البطارية إلى أن تستقر في موضعها.
- لإزالة البطارية، اضغط على زر التحرير (١٢) مع سحب البطارية في الوقت نفسه خارج المقبس.

**تركيب وإزالة لقمة المثقب أو لقمة مفك البراغي (الشكل د)**

هذا الجهاز مزود بقابض لقم مثقب بدون مفتاح للعمل على تيسير استبدال اللقم.

- اقلل الجهاز من خلال ضبط المنزلق الأمامي/العكسي (٢) على الوضع الأوسط.
- امسك قابض لقم المثقب (٣) وقم بلفه عكس اتجاه عقارب الساعة، كما يظهر من خلال طرف قابض لقم المثقب.
- ادخل اللقمة (١٣) في قابض لقم المثقب.
- اربط قابض لقم المثقب بإحكام من خلال لفة في اتجاه عقارب الساعة، كما يظهر من خلال طرف قابض لقم المثقب.

تحذير! لا تحاول ربط لقم المثقب (أو أي ملحق آخر) من خلال إمساك الجزء الأمامي من قابض لقم المثقب وتشغيل الجهاز. فقد يؤدي تغيير الملحقات بهذه الطريقة إلى تلف قابض لقم المثقب وحدوث إصابة شخصية.

**الاستخدام**

تحذير! دع الجهاز تعمل بالسرعة المحددة لها. لا تقم بزيادة الحمل.

**شحن البطارية (الشكل أ)**

يجب شحن البطارية قبل استخدامها للمرة الأولى وكذلك حينما لا تعطي الطاقة الكافية على الأعمال التي كانت تؤديها بسهولة من قبل. قد تسخن البطارية أثناء الشحن؛ وهذا أمر طبيعي ولا يشير إلى أي مشكلة.

تحذير! لا تقم بشحن البطارية في درجة الحرارة المحيطة أقل من ١٠ درجة مئوية أو أعلى من ٤٠ درجة مئوية. درجة حرارة الشحن الموصى بها حوالي ٢٤ درجة مئوية.

ملاحظة: لن يبدأ الشاحن في شحن البطارية إذا كانت درجة حرارة الخليية أقل من ١٠ درجة مئوية تقريباً أو أعلى من ٤٠ درجة مئوية. يجب ترك البطارية في الشاحن وسوف يبدأ الشاحن في الشحن تلقائياً حينما تسخن الخليية أو تبرد.

- لشحن البطارية (٥)، قم بإدخالها في الشاحن (١٠). لا يتناسب دخول البطارية إلى الشاحن إلا في اتجاه واحد فقط. لا تضغط، واحرص على أن تكون البطارية مستقرة تماماً في الشاحن.
- وصل الشاحن بالمقبس، ثم قم بتوصيل التيار.

- لا تحاول شحن البطاريات غير القابلة لإعادة الشحن.
- استبدل الأسلاك المعيبة على الفور.
- لا تعرض الشاحن للماء.
- لا تفتح الشاحن.
- لا تقم باختبار الشاحن.



الشاحن مصمم لأغراض الاستخدام المنزلي فقط.



اقرأ دليل التعليمات قبل الاستخدام.

**السلامة الكهربائية**

هذا الشاحن مزودج العزل؛ وبالتالي لا حاجة إلى سلك أرضي. ينبغي التأكد دائماً من توافق جهد التيار الكهربائي مع الجهد الموضح على لوحة التقنين. لا تحاول استبدال وحدة الشاحن بمقبس توصيل عادي.



- في حالة تلف كابل توصيل الطاقة، يجب استبداله بواسطة الشركة المصنعة أو مركز الصيانة المعتمد لدى ستانلي درءاً لأية مخاطر.

**الخصائص**

تتضمن هذا الجهاز كل أو بعض الخصائص التالية:

١. مفتاح سرعة متغير
٢. المنزلق الأمامي/العكسي
٣. قابض لقم المثقب
٤. حلقة ضبط العزم
٥. البطارية
٦. إبرزيم الحزام
٧. مؤشر LED
٨. محدد السرعة
٩. حامل اللقم المغناطيسي

**الشكل أ**

١٠. الشاحن

١١. مؤشر الشحن

**التجميع**

تحذير! قبل التجميع، أفضل البطارية من الجهاز.

## الرموز الموجودة على الجهاز

قد تتضمن العلامات الموجودة على الأداة الرموز التالية:

عزل مزدوج من الفئة ٢		هرتز	..... Hz	اقرأ دليل التعليمات	
طرف أرضي		واط	..... W	استخدم واقى العين	
رمز تنبيه الأمان		دقيقة تيار متردد	..... min	استخدم واقى الأذن	
عدد الترددات أو الترددات في الدقيقة	.../min..	تيار مستمر		فولط	V
				مبير	A
				السرعة بـون حمل	N <sub>0</sub>

مكان رمز الباركود الخاص بالتاريخ

يوجد رمز الباركود الخاص بالتاريخ، بما في ذلك سنة الصنع، مطبوعاً على التبيطة.  
على سبيل المثال:

XXJN ٢٠١٤  
سنة الصنع

## تعليمات سلامة إضافية للبطاريات والشواحن

## البطاريات

- لا تحاول فتحها لأي سبب.
- لا تعرض البطارية للماء.
- لا تخزنها في أماكن تتجاوز درجة الحرارة فيها ٤٠ درجة مئوية.
- قم بالشحن في درجة الحرارة المحيطة بين ١٠ درجة مئوية و ٤٠ درجة مئوية.
- اشحن فقط باستخدام الشاحن المتوفر مع الجهاز.
- عند التخلص من البطاريات، اتبع التعليمات المقدمة في القسم "حماية البيئة".

لا تحاول شحن البطاريات التالفة.



## الشواحن

- استخدم شاحن ستانلي فقط لشحن البطارية في الجهاز المتوفر معه البطارية. قد تنفجر البطاريات الأخرى، ما يسبب إصابات وأضرار شخصية.

- قبل الحفر في الحوائط أو الأرضيات أو الأسقف، تحقق من موضع الأسلاك والأنابيب.

- لا تلمس طرف لقمة المطرقة بعد الحفر مباشرة. فقد تكون ساخنة للغاية.

- هذا الجهاز ليس مخصصاً للاستخدام من قبل أشخاص (بما في ذلك الأطفال) يعانون من قصور بدني أو حسي أو ذهني، أو يفقدون للخبرة والمعرفة، ما لم يتم الإشراف عليهم أو توجيههم فيما يتعلق باستخدام الجهاز من قبل شخص مسؤول عن سلامتهم. ويجب مراقبة الأطفال لضمان عدم عبثهم بالجهاز.

- غرض الاستخدام مذكور في دليل التعليمات هذا. إن استخدام أي ملحق أو أداة أي عمل باستخدام هذا الجهاز غير الاستخدام الموصى به في دليل التعليمات قد يلحق الضرر بالأشخاص و/أو الممتلكات.

## سلامة الآخرين

- هذا الجهاز ليس مخصصاً للاستخدام من قبل أشخاص (بما في ذلك الأطفال) يعانون من قصور بدني أو حسي أو ذهني، أو يفقدون للخبرة والمعرفة، ما لم يتم الإشراف عليهم أو توجيههم فيما يتعلق باستخدام الجهاز من قبل شخص مسؤول عن سلامتهم.

- يجب مراقبة الأطفال لضمان عدم عبثهم بالجهاز.

## المخاطر الكامنة

قد تنشأ مخاطر كامنة أخرى عند استخدام الجهاز قد لا تكون مشمولة ضمن تحذيرات السلامة العرفية. وقد تنشأ هذه المخاطر بسبب سوء الاستخدام أو الاستخدام لفترة طويلة وما إلى ذلك. حتى عند تطبيق تعليمات السلامة ذات الصلة وتنفيذ وسائل السلامة، قد لا يمكن تفادي بعض المخاطر الكامنة. ويتضمن ذلك:

- الإصابات الناتجة بسبب تلامس أية أجزاء دوارة/متحركة.
- الإصابات الناتجة عند تغيير أية أجزاء أو شفرات أو ملحقات.
- الإصابات الناتجة بسبب الاستخدام الزائد للجهاز عند استخدام أي جهاز لفترات متتالية من الوقت، احرص على وجود فواصل منتظمة.

- ضعف السمع.

- المخاطر الصحية الناتجة بسبب استنشاق الغبار الناشئ عند استخدام الجهاز (مثال:-- العمل على الخشب أو خشب البلوط أو خشب الزان أو الخشب الليفي متوسط الكثافة).



- ج. إذا كانت الأجهزة معدة للتوصيل بوسائل إزالة أو تجميع الأتربة، فاحرص على توصيلها واستخدامها بشكل مناسب. حيث إن استخدام وسائل جمع الأتربة قد يقلل من المخاطر المرتبطة بها.
- د. استخدام الجهاز الكهربائي والعناية به
- أ. لا تضغط على الجهاز الكهربائي. استخدم الجهاز الكهربائي المناسب لاستعماله، حيث إن استخدام الجهاز الكهربائي يؤدي المهمة بشكل أفضل وأكثر أماناً بالسرعة التي تم تصميمه من أجلها.
- ب. لا تستخدم الجهاز الكهربائي إذا كان المفتاح لا يقيم بالتشغيل أو الإيقاف، حيث إن أي جهاز كهربائي لا يمكن التحكم فيه باستخدام مفتاح التشغيل/الإيقاف يكون خطيراً ويجب إصلاحه.
- ج. أفضل المقيس من مصدر الطاقة و/أو علب البطارية من الجهاز الكهربائي قبل إجراء أي تعديلات أو تغيير أي ملحقات أو تخزين الجهاز الكهربائي. حيث تقلل تدابير السلامة الوقائية هذه من خطر تشغيل الجهاز دون قصد.
- د. قم بتخزين الأجهزة غير المستخدمة بعيداً عن متناول الأطفال ولا تسمح للأشخاص غير المتعاملين مع الأجهزة الكهربائية أو غير المتعلمين على هذه التعليمات بتشغيل الجهاز الكهربائي. حيث يمثل وجود الأجهزة الكهربائية في أيدي المستخدمين غير المدربين خطراً عليهم.
- هـ. قم بصيانة الأجهزة الكهربائية. تحقق من أي اختلاف أو عائق في الأجزاء المتحركة أو كسر في الأجزاء أو أي حالة أخرى قد تؤثر على تشغيل الأجهزة. في حالة تعرض الأجهزة للتلف، قم بإصلاح الأجهزة قبل استخدامها. حيث تقع العديد من الحوادث بسبب الصيانة الرديئة للأجهزة.
- و. احرص على حدة ونظافة أدوات القطع. من النادر أن تسبب أدوات القطع المحفوظة بشكل مناسب، مع الحفاظ على حدة حواف القطع، في إعاقة الحركة فضلاً عن سهولة التحكم فيها.
- ز. احرص على استخدام الجهاز الكهربائي والملحقات ولقم الجهاز وما إلى ذلك وفق هذه التعليمات، وبالطريقة المخصصة لذلك النوع من الأجهزة الكهربائية. مع الأخذ في الاعتبار ظروف العمل والعمل المطلوب تنفيذه. قد يؤدي استخدام الجهاز الكهربائي في عمليات غير المخصص من أجلها إلى وقوع مخاطر.
- ح. استخدام جهاز البطارية والعناية بها
- أ. قم بإعادة شحن البطارية باستخدام الشاحن المخصص من قبل المصنع فقط. قد يؤدي استخدام الشاحن المناسب لنوع واحد من علب البطاريات إلى وقوع مخاطر حريق عند استخدامه مع علب بطاريات أخرى.
- ب. استخدم الأجهزة الكهربائية فقط مع علب البطاريات المصممة لها بشكل خاص، حيث إن استخدام أي علب بطاريات أخرى قد يؤدي إلى وقوع مخاطر الحريق والإصابة.
- ج. حينما لا تكون علب البطاريات قيد الاستخدام، احتفظ بها بعيداً عن الأشياء المعدنية، مثل دبابيس الورق والعملات والمفاتيح والمسامير والبراغي أو الأشياء المعدنية الأخرى، التي قد تؤدي إلى توصيل تيار من طرف إلى آخر. ويمكن أن يؤدي تماس أطراف البطارية معاً إلى حدوث حروق أو حريق.
- د. في ظل ظروف الاستخدام التعسفية، قد يخرج سائل من البطارية؛ فاحذر ملامسته، وإذا حدث تلامس بشكل عرضي، فاغسل هذه المنطقة بالماء. وإذا وصل هذا السائل إلى العينين، اطلب مساعدة طبية. قد يتسبب السائل الخارج من البطارية في حدوث التهابات أو حروق.
٦. الصيانة
- أ. قم بإصلاح وصيانة الجهاز بواسطة شخص مؤهل وباستخدام الأجزاء البديلة المطابقة فقط. وسوف يضمن ذلك الحفاظ على سلامة الجهاز الكهربائي.

### تحذيرات السلامة الإضافية للجهاز الكهربائي

تحذير! تحذيرات السلامة الإضافية لأجهزة الثقب ومطارق



الثقب.

- ارتد واقبات للأذن أثناء استخدام مطارق الثقب، فقد يؤدي التعرض إلى الضوضاء إلى فقدان السمع.
- استخدم المقابض الإضافية المتوفرة مع الجهاز. يمكن أن يتسبب عدم القدرة على التحكم في حدوث إصابة شخصية.
- امسك الجهاز بواسطة أسطح معزولة فقط عند العمل بالجهاز عند وجود احتمالية تلامس القاطع مع الأسلاك المخفية. حيث أن ملامسة الأسلاك "التي يسري بها التيار" قد توصل التيار إلى الأجزاء المعدنية المكشوفة، مما قد يعرض المشغل لصدمة كهربية.
- امسك الجهاز الكهربائي بواسطة أسطح معزولة فقط عند العمل بالجهاز عند وجود احتمالية تلامس أداة الربط مع الأسلاك المخفية. حيث أن ملامسة أداة الربط مع الأسلاك "التي يسري بها التيار" قد تؤدي إلى توصيل التيار إلى الأجزاء المعدنية المكشوفة في الجهاز الكهربائي، مما قد يعرض المشغل لصدمة كهربية.
- استخدم ملزمة أو أي طريقة عملية أخرى لوضع قطعة العمل وتثبيتها على سطح ثابت. إمساك قطعة العمل باليد أو في مقابل الجسم يجعلها غير مستقرة وقد يؤدي إلى فقدان التحكم.

## الغرض من الاستخدام

د. لا تسيء استخدام السلك. لا تستخدم السلك في حمل أو سحب الجهاز الكهربائي أو تزعمه من المقبس. احرص على إبعاد السلك عن الحرارة والنظف والحواف الحادة أو الأجزاء المتحركة. حيث إن الأسلاك التالفة أو المتشابكة تزيد من خطر حدوث صدمة كهربائية.

تم تصميم مسحاج ستانلي لسحج الخشب والمنتجات الخشبية والبلاستيك. وهذا الجهاز مصمم للاستخدام المحمول.

## تعليمات السلامة

تحذيرات عامة عند استخدام الأجهزة الكهربائية



تحذير! اقرأ كافة التعليمات وكافة تحذيرات السلامة. قد يؤدي عدم اتباع التعليمات والتحذيرات الواردة أدناه إلى حدوث صدمة كهربائية أو حريق و/أو إصابة شخصية خطيرة.

هـ. عند تشغيل الجهاز في الخارج، استخدم سلك تمديد مناسب للاستخدام الخارجي. حيث إن استخدام سلك مناسب للاستخدام الخارجي يقلل من خطر حدوث صدمة كهربائية.

و. إذا كان يجب تشغيل الجهاز الكهربائي في مكان رطب، فاستخدم موصل محمي لقاطع الدورة (RCD). إن استخدام قاطع الدورة يقلل من خطر حدوث صدمة كهربائية.

احفظ كافة التحذيرات والتعليمات للرجوع إليها في المستقبل

٣. السلامة الشخصية

أ. توخ الحذر وراقب ما تقوم به واستخدم حسك العام عند تشغيل جهاز كهربائي. لا تستخدم أي جهاز كهربائي حينما تكون مرهقاً أو تحت تأثير المخدرات أو الكحول أو الدواء. قد تؤدي لحظة عدم انتباه واحدة أثناء تشغيل الأجهزة الكهربائية إلى وقوع إصابة شخصية خطيرة.

تشير كلمة "الجهاز الكهربائي" في كافة التحذيرات الواردة أدناه إلى الجهاز الكهربائي الذي يعمل (بواسطة أسلاك) بواسطة الموصلات الرئيسية أو الجهاز الكهربائي الذي يعمل بواسطة بطارية (بدون أسلاك).

١. سلامة منطقة العمل

ب. استخدم معدات الحماية الشخصية. احرص دوماً على ارتداء واقي العينين. إن استخدام معدات الحماية مثل قناع الأتربة وأحذية السلامة المقاومة للانزلاق والحوزة الصلبة وواقي الأذن في الظروف المناسبة يقلل من وقوع الإصابات الشخصية.

أ. احرص على نظافة وإضاءة منطقة العمل بشكل جيد. حيث تؤدي المناطق غير المنظمة والمظلمة إلى وقوع حوادث.

ب. لا تشغيل الجهاز في أجواء قابلة للانفجار، مثلاً عند وجود سوائل أو غازات أو غبار قابل للاشتعال. فالأجهزة الكهربائية تطلق شرراً قد يؤدي إلى اشتعال الغبار أو الدخان.

ج. تجنب التشغيل العرضي. احرص على أن يكون مفتاح التشغيل في وضع الإيقاف قبل توصيله بمصدر الطاقة و/أو لعبة البطارية أو قبل النقاط الجهاز أو حمله. قد تقع حوادث نتيجة حمل الأجهزة الكهربائية مع وضع الأصبع على مفتاح التشغيل أو توصيل الأدوات الكهربائية بالمقبس حينما يكون مفتاح التشغيل على وضع التشغيل.

ج. احرص على إبعاد الأطفال والمتواجدين في منطقة العمل عن الجهاز الكهربائي. فقد يتسبب الإلهاء في فقدانك للسيطرة.

٢. السلامة الكهربائية

د. قم بإزالة أي مفتاح ضبط أو مفتاح ربط قبل تشغيل الجهاز. فقد يؤدي ترك مفتاح الربط أو المفتاح عالقاً في الجزء الدوار بالجهاز إلى وقوع إصابات شخصية.

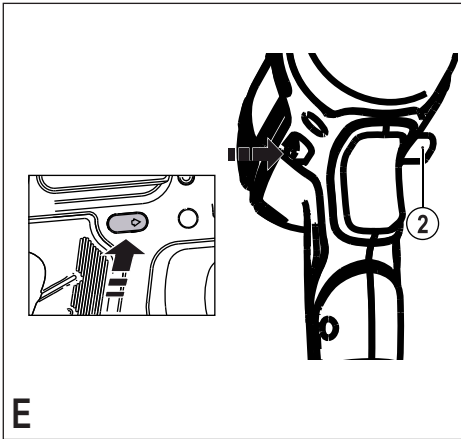
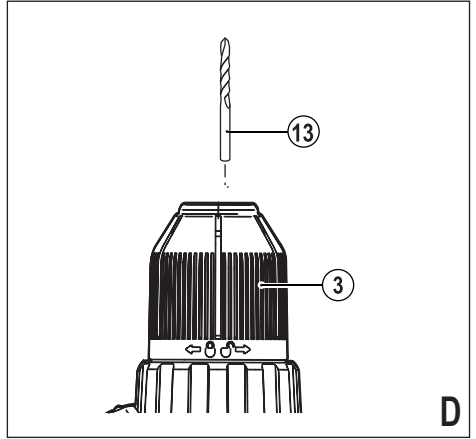
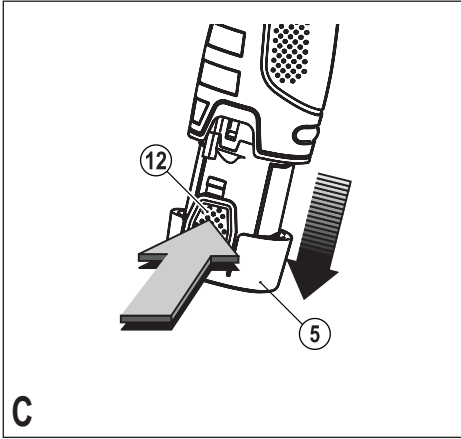
أ. يجب أن تتطابق مقابس الجهاز الكهربائي مع المنفذ. لا تقم بتعديل المقبس بأي حال. لا تستخدم أي مقابس مهايئات مع أجهزة كهربائية (مؤرضة) سوف تؤدي المقابس غير المعدلة والمنافذ المطابقة إلى تقليل خطر حدوث صدمة كهربائية.

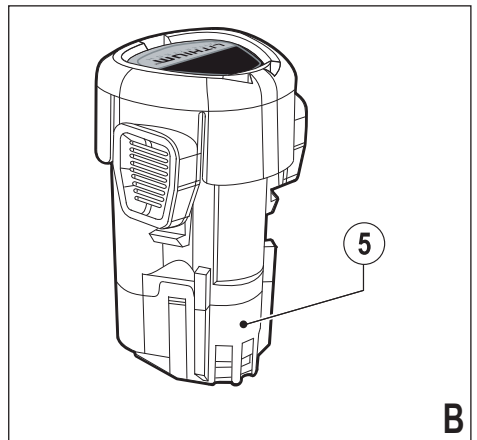
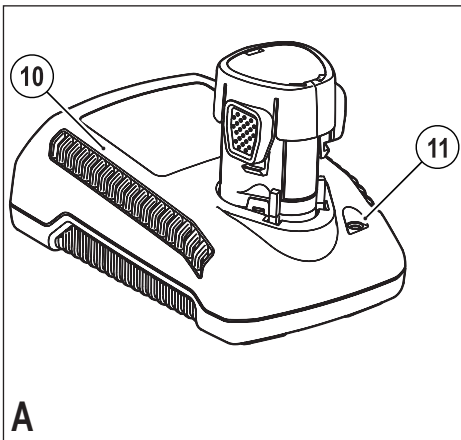
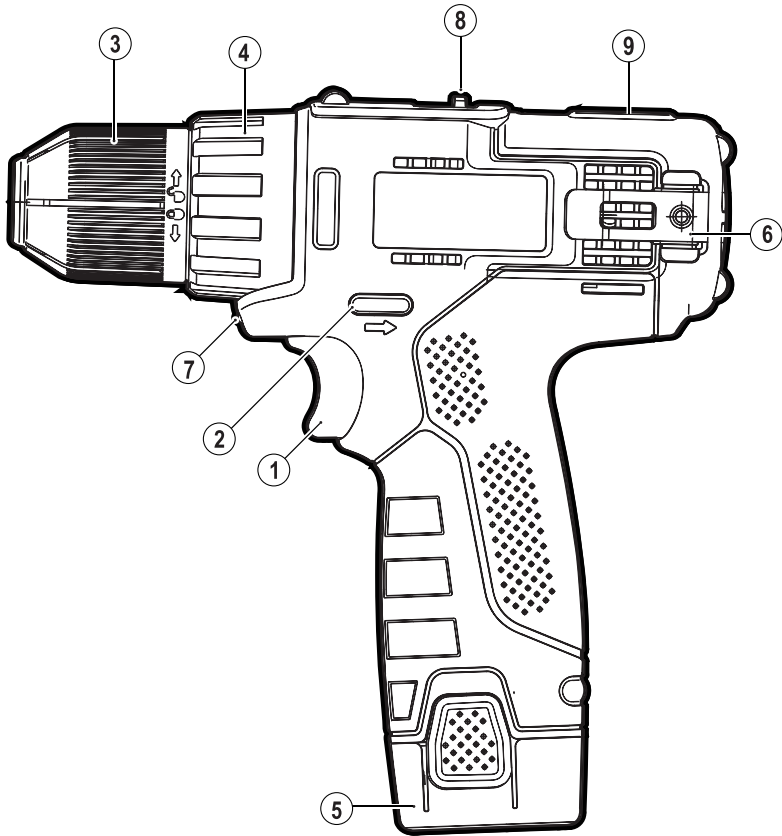
هـ. لا تمد يديك بالجهاز لمسافة بعيدة. ضع قدميك في موضع مناسب واحتفظ بالتوازن المناسب في جميع الأوقات. حيث يتيح لك ذلك إمكانية التحكم بشكل أفضل في الجهاز في المواقف غير المتوقعة.

ب. تجنب ملامسة الجسد للأسطح المؤرضة مثل الأنابيب والمشعاع والثلاجات. فإذا تلامس الجسد بسطح مؤرض، فسوف يزداد خطر حدوث صدمة كهربائية.

و. ارتد ملابس مناسبة. لا ترتد الملابس الفضفاضة أو الحلي. احرص على إبقاء شعرك وملابسك وقفازاتك بعيدة عن الأجزاء المتحركة. فقد تسحب الأجزاء الدوارة الملابس الفضفاضة أو الحلي أو الشعر الطويل.

ج. لا تعرض الأجهزة الكهربائية للمطر أو لظروف رطبة. فإن دخول الماء إلى الجهاز الكهربائي يؤدي إلى زيادة خطر حدوث صدمة كهربائية.





A

B



