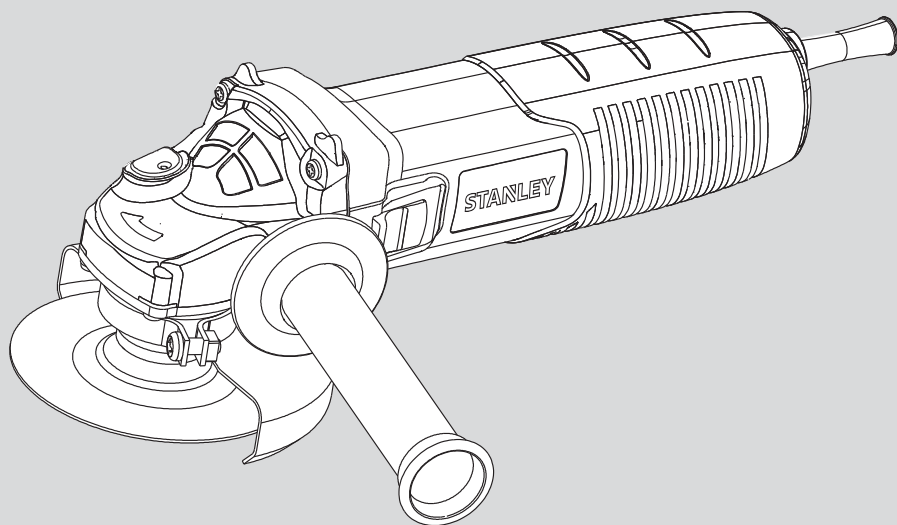


STANLEY



STGS9125

English	Page 4
French	Page 15
Portuguese	Page 26
Russian	Page 37
Ukrainian	Page 50
Arabic	Page 68

Figure 1

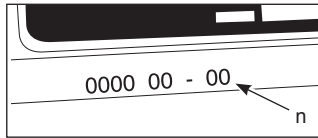
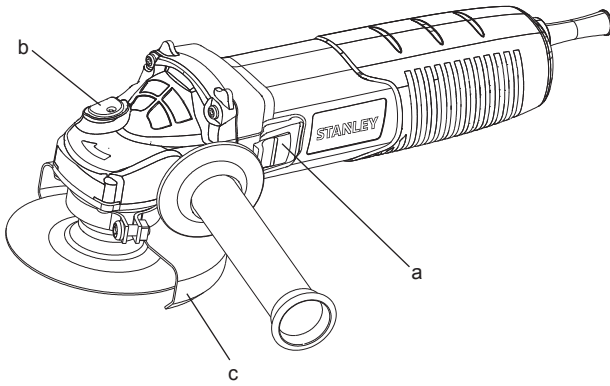


Figure 2

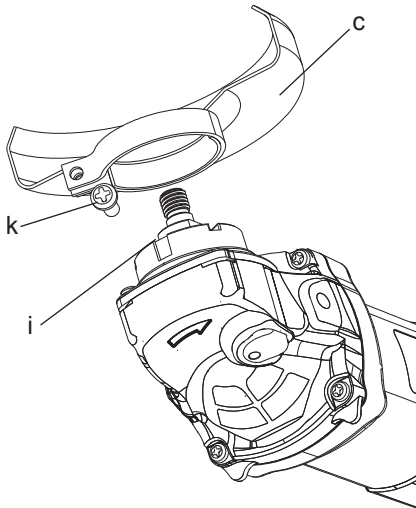


Figure 3

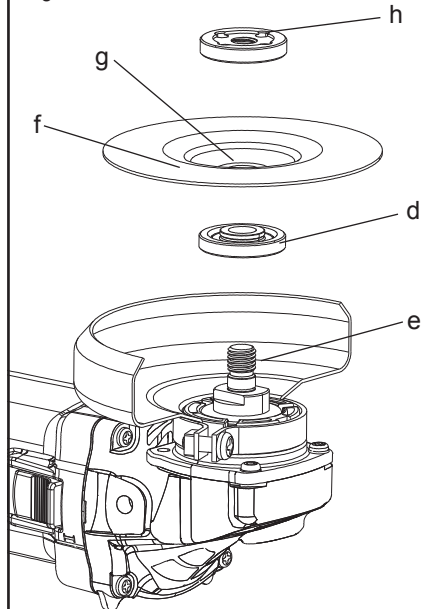


Figure 4

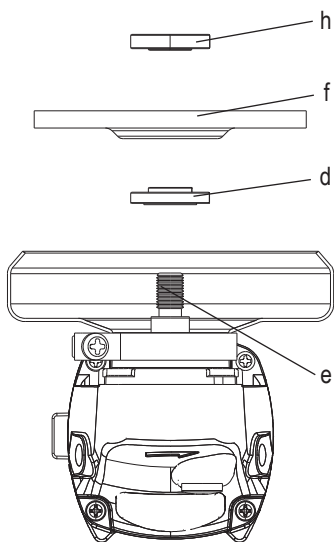


Figure 5

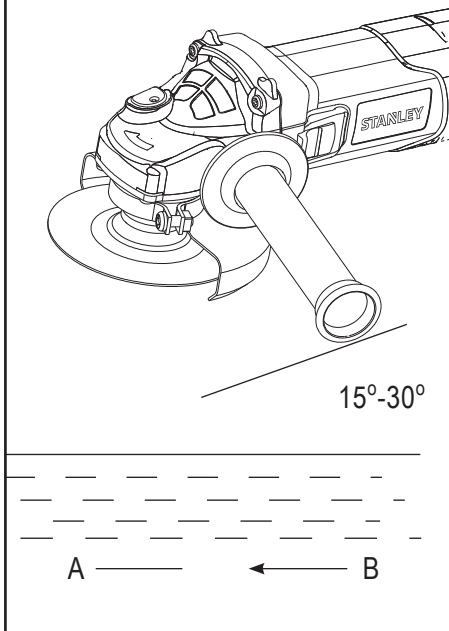
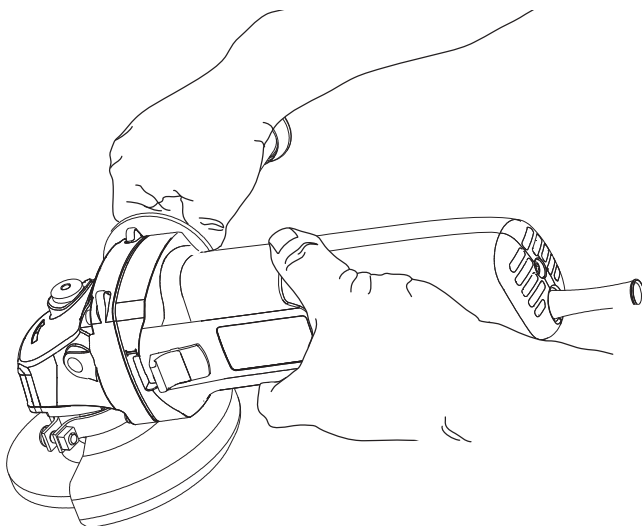


Figure 6



Technical Data

		STGS9125
Input power	W	900
Voltage	V	220-240
Frequency	Hz	50/60
No-load speed/rated speed	min ⁻¹	11,000
Wheel diameter	mm	125
Grinding wheels thickness	mm	6
Type of wheel		27
Spindle diameter		M14
Weight	kg	2.2

Definitions: Safety Guidelines

The definitions below describe the level of severity for each signal word. Please read the manual and pay attention to these symbols.



Danger: Indicates an imminently hazardous situation which, if not avoided, will result in **death or serious injury**.



Warning: Indicates a potentially hazardous situation which, if not avoided, **could** result in **death or serious injury**.



Caution: Indicates a potentially hazardous situation which, if not avoided, **may** result in **minor or moderate injury**.

Notice: Indicates a practice **not related to personal injury** which, if not avoided, **may** result in **property damage**.



Denotes risk of electric shock.



Denotes risk of fire.



Warning: To reduce the risk of injury, read the instruction manual.

General Power Tool Safety Warnings



Warning! Read all safety warnings and all instructions. Failure to follow the warnings and instructions may result in electric shock, fire and/or serious injury.

Save all warnings and instructions for future reference

The term "power tool" in the warnings refers to your mains-operated (corded) power tool or batteryoperated (cordless) power tool.

1) Work area safety

- a) **Keep work area clean and well lit.** Cluttered or dark areas invite accidents.
- b) **Do not operate power tools in explosive atmospheres, such as in the presence of flammable liquids, gases or dust.** Power tools create sparks which may ignite the dust or fumes.
- c) **Keep children and bystanders away while operating a power tool.** Distractions can cause you to lose control.

2) Electrical safety

- a) **Power tool plugs must match the outlet. Never modify the plug in any way. Do not use any adapter plugs with earthed (grounded) power tools.** Unmodified plugs and matching outlets will reduce risk of electric shock.
- b) **Avoid body contact with earthed or grounded surfaces such as pipes, radiators, ranges and refrigerators.** There is an increased risk of electric shock if your body is earthed or grounded.
- c) **Do not expose power tools to rain or wet conditions.** Water entering a power tool will increase the risk of electric shock.
- d) **Do not abuse the cord. Never use the cord for carrying, pulling or unplugging the power tool. Keep cord away from heat, oil, sharp edges or moving parts.** Damaged or entangled cords increase the risk of electric shock.
- e) **When operating a power tool outdoors, use an extension cord suitable for outdoor use.** Use of a cord suitable for outdoor use reduces the risk of electric shock.
- f) **If operating a power tool in a damp location is unavoidable, use a residual current device (RCD) protected supply.** Use of an RCD reduces the risk of electric shock.

3) Personal safety

- a) **Stay alert, watch what you are doing and use common sense when operating a power tool. Do not use a power tool while you are tired or under the influence of drugs, alcohol or medication.** A moment of inattention while operating power tools may result in serious personal injury.
- b) **Use personal protective equipment. Always wear eye protection.** Protective equipment such as dust mask, non-skid safety shoes, hard hat, or hearing protection used for appropriate conditions will reduce personal injuries.

- c. **Prevent unintentional starting. Ensure the switch is in the off-position before connecting to power source and/or battery pack, picking up or carrying the tool.** Carrying power tools with your finger on the switch or energising power tools that have the switch on invites accidents.
- d. **Remove any adjusting key or wrench before turning the power tool on.** A wrench or a key left attached to a rotating part of the power tool may result in personal injury.
- e. **Do not overreach. Keep proper footing and balance at all times.** This enables better control of the power tool in unexpected situations.
- f. **Dress properly. Do not wear loose clothing or jewellery. Keep your hair, clothing and gloves away from moving parts.** Loose clothes, jewellery or long hair can be caught in moving parts.
- g. **If devices are provided for the connection of dust extraction and collection facilities, ensure these are connected and properly used.** Use of these devices can reduce dust related hazards.
4. **Power tool use and care**
- a. **Do not force the power tool. Use the correct power tool for your application.** The correct power tool will do the job better and safer at the rate for which it was designed.
- b. **Do not use the power tool if the switch does not turn it on and off.** Any power tool that cannot be controlled with the switch is dangerous and must be repaired.
- c. **Disconnect the plug from the power source and/or the battery pack from the power tool before making any adjustments, changing accessories, or storing power tools.** Such preventive safety measures reduce the risk of starting the power tool accidentally
- d. **Store idle power tools out of the reach of children and do not allow persons unfamiliar with the power tool or these instructions to operate the power tool.** Power tools are dangerous in the hands of untrained users.
- e. **Maintain power tools. Check for misalignment or binding of moving parts, breakage of parts and any other condition that may affect the power tools operation. If damaged, have the power tool repaired before use.** Many accidents are caused by poorly maintained power tools.
- f. **Keep cutting tools sharp and clean.** Properly maintained cutting tools with sharp cutting edges are less likely to bind and are easier to control.
- g. **Use the power tool, accessories and tool bits etc., in accordance with these instructions, taking into account the working conditions and the work to be performed.** Use of the power tool for operations different from those intended could result in a hazardous situation.
5. **Service**
- a. **Have your power tool serviced by a qualified repair person using only identical replacement parts.** This will ensure that the safety of the power tool is maintained.

Additional specific safety rules

Safety Instructions for All Operations

Safety Warnings Common for Grinding

- a) **This power tool is intended to function as a grinder. Read all safety warnings, instructions, illustrations and specifications provided with this power tool.** Failure to follow all instructions listed below may result in electric shock, fire and/or serious injury.
- b) **Operations such as cutting-off, sander, wire brush or polisher are not recommended to be performed with this power tool.** Operations for which the power tool was not designed may create a hazard and cause personal injury.
- c) **Do not use accessories which are not specifically designed and recommended by the tool manufacturer.** Just because the accessory can be attached to your power tool, it does not assure safe operation.
- d) **The rated speed of the accessory must be at least equal to the maximum speed marked on the power tool.** Accessories running faster than their rated speed can break and fly apart.

- e) **The outside diameter and the thickness of your accessory must be within the capacity rating of your power tool.** Incorrectly sized accessories cannot be adequately guarded or controlled.
- f) **The arbour size of wheels, flanges, backing pads or any other accessory must properly fit the spindle of the power tool.** Accessories with arbour holes that do not match the mounting hardware of the power tool will run out of balance, vibrate excessively and may cause loss of control.
- g) **Do not use a damaged accessory. Before each use inspect the accessory such as abrasive wheel for chips and cracks, backing pad for cracks, tear or excess wear, wire brush for loose or cracked wires. If power tool or accessory is dropped, inspect for damage or install an undamaged accessory. After inspecting and installing an accessory, position yourself and bystanders away from the plane of the rotating accessory and run the power tool at maximum no-load speed for one minute.** Damaged accessories will normally break apart during this test time.
- h) **Wear personal protective equipment. Depending on application, use face shield, safety goggles or safety glasses. As appropriate, wear dust mask, hearing protectors, gloves and workshop apron capable of stopping small abrasive or workpiece fragments.** The eye protection must be capable of stopping flying debris generated by various operations. The dust mask or respirator must be capable of filtering particles generated by your operation. Prolonged exposure to high intensity noise may cause hearing loss.
- i) **Keep bystanders a safe distance away from work area. Anyone entering the work area must wear personal protective equipment.** Fragments of workpiece or of a broken accessory may fly away and cause injury beyond immediate area of operation.
- j) **Hold the power tool by insulated gripping surfaces only, when performing an operation where the cutting accessory may contact hidden wiring or its own cord.** Cutting accessory contacting a "live" wire may make exposed metal parts of the power tool "live" and could give the operator an electric shock.
- k) **Position the cord clear of the spinning accessory.** If you lose control, the cord may be cut or snagged and your hand or arm may be pulled into the spinning accessory.
- l) **Never lay the power tool down until the accessory has come to a complete stop.** The spinning accessory may grab the surface and pull the power tool out of your control.
- m) **Do not run the power tool while carrying it at your side.** Accidental contact with the spinning accessory could snag your clothing, pulling the accessory into your body.
- n) **Regularly clean the power tool's air vents.** The motor's fan will draw the dust inside the housing and excessive accumulation of powdered metal may cause electrical hazards.
- o) **Do not operate the power tool near flammable materials.** Sparks could ignite these materials.
- p) **Do not use accessories that require liquid coolants.** Using water or other liquid coolants may result in electrocution or shock.

Further safety instructions for all operations

Kickback and Related Warnings

Kickback is a sudden reaction to a pinched or snagged rotating wheel, backing pad, brush or any other accessory. Pinching or snagging causes rapid stalling of the rotating accessory which in turn causes the uncontrolled power tool to be forced in the direction opposite of the accessory's rotation at the point of the binding.

For example, if an abrasive wheel is snagged or pinched by the workpiece, the edge of the wheel that is entering into the pinch point can dig into the surface of the material causing the wheel to climb out or kick out. The wheel may either jump toward or away from the operator, depending on direction of the wheel's movement at the point of pinching. Abrasive wheels may also break under these conditions.

Kickback is the result of tool misuse and/or incorrect operating procedures or conditions and can be avoided by taking proper precautions as given below:

a) **Maintain a firm grip on the power tool and position your body and arm to allow you to resist kickback forces. Always use auxiliary handle, if provided, for maximum control over kickback or torque reaction during start up.** The operator can control torque reaction or kickback forces, if proper precautions are taken.

b) **Never place your hand near the rotating accessory.** Accessory may kickback over your hand.

c) **Do not position your body in the area where power tool will move if kickback occurs.** Kickback will propel the tool in direction opposite to the wheel's movement at the point of snagging.

d) **Use special care when working corners, sharp edges etc. Avoid bouncing and snagging the accessory.** Corners, sharp edges or bouncing have a tendency to snag the rotating accessory and cause loss of control or kickback.

e) **Do not attach a saw chain woodcarving blade or toothed saw blade.** Such blades create frequent kickback and loss of control.

Safety warnings specific for grinding operations

a) **Use only wheel types that are recommended for your power tool and the specific guard designed for the selected wheel.** Wheels for which the power tool was not designed cannot be adequately guarded and are unsafe.

b) **The guard must be securely attached to the power tool and positioned for maximum safety, so the least amount of wheel is exposed towards the operator.** The guard helps to protect operator from broken wheel fragments and accidental contact with wheel and sparks that could ignite clothing.

c) **Wheels must be used only for recommended applications. For example: do not grind with the side of cut-off wheel.** Abrasive cut-off wheels are intended for peripheral grinding, side forces applied to these wheels may cause them to shatter.

d) **Always use undamaged wheel flanges that are of correct size and shape for your selected wheel.** Proper wheel flanges support the wheel thus reducing the possibility of wheel breakage. Flanges for cut-off wheels may be different from grinding wheel flanges.

e) **Do not use worn down wheels from larger power tools.** Wheel intended for larger power tool is not suitable for the higher speed of a smaller tool and may burst.

Residual Risks










In spite of the application of the relevant safety regulations and the implementation of safety devices, certain residual risks cannot be avoided.

These are:

- Impairment of hearing
- Risk of personal injury due flying particles.
- Risk of burns due to accessories becoming hot during operation.
- Risk of personal injury due to prolonged use.
- Risk of dust from hazardous substances.

Labels on tool

The label on your tool may include the following symbols:

	Read Instructions Manual	Hz Hertz		Class II Construction
	Use Eye Protection	W Watts		Earthing Terminal
	Use Ear Protection	min minutes		Safety Alert Symbol
		 Alternating Current		Revolutions or Reciprocation per minute
		 Direct Current		
V Volts		n_0 No-Load Speed		
A Amperes				

Position of date barcode

The Date Code, which also includes the year of manufacture, is printed into the housing.

Example:

2014 XX JN
Year of manufacturing

Package Content

This product package includes:

- 1 Angle grinder
 - 1 Guard
 - 1 Flange set
 - 1 Spanner
 - 1 Handle
 - 1 Instruction manual
- Check the tool, parts, and accessories to see if they are damaged during transportation.
 - Take a few moments to read and understand this manual before using the tool.

Description (Fig. 1)



Warning: Never modify the power tool or any part of the tool, otherwise it may cause damage to the tool or result in personal injury.

- a. ON/OFF switch
- b. Spindle lock
- c. Guard

Purpose of Design

This angle grinder is designed especially for grinding.

Do not use sandpaper discs and grinding wheels other than those with depressed center.

Do not use the tool in wet conditions or environments in the presence of flammable liquids or gases.

This heavy-duty angle grinder is a professional power tool.

Do not allow children to come in contact with this tool.

Inexperienced operators are required to use this tool under supervision.

Electrical Equipment Safety

Only one voltage is applicable to this tool. Be sure to check that the power supply corresponds to the voltage on the rating plate.



Your STANLEY tool is equipped with double insulation, hence, it does not require to be earthed.

When the power cord is damaged, have it sent to a STANLEY service center for replacement to specially prepared cables.

Using Extension Cords

If an extension cord is required, please select a 3-phase extension cord that has been inspected and matches the input power (see Technical Data) of this tool. The minimum conductor size is 1.5mm², maximum length is 30 meters.

When using a cable reel, be sure to pull out all the cables.

Assembly and Adjustment



Warning: To minimize the danger of serious personal injury, please switch off the tool power and disconnect all plugs before adjusting or removing/installing any accessory. Before reassembling the tool, press and release the trigger switch to make sure the tool is already switched off.

Attaching and Removing the Wheel Guard (Fig. 2)



Warning: To minimize the danger of serious personal injury, please switch off the tool power and disconnect all plugs before adjusting or removing/installing any accessory. Before reassembling the tool, press and release the trigger switch to make sure the tool is already switched off.

Attaching the Guard

1. Place the angle grinder on a work bench, groove facing up.
2. Bring the flange of the guard (c) collar over the groove (i) of the gear housing.
3. Turn the guard (c) counterclockwise by 150 degrees.
4. Make sure that the screws (k) are tightened.

Removing the Guard

1. Loosen the screws (k) on the guard collar.
2. Pull up the guard (c).



Warning: Do not operate the tool when the safety guard is not in place.

Note: Refer to the grinding accessories chart at the end of this section for accessories that can be used together with this angle grinder.

Attaching and Removing Grinding Wheels (Fig. 3, 4)



Warning: Do not use damaged grinding wheels.

1. Place the tool on a work bench, groove facing up.
2. Attach the inner flange (d) correctly on the output shaft (e) (Fig. 3).
3. Place the grinding wheel (f) on the inner flange (d). When attaching a grinding wheel with a raised center, make sure that the raised center (g) faces the inner flange (d).

4. Tighten the outer flange (h) until the output shaft (e) (Fig. 4). When attaching the grinding wheel, the ring on top of the outer flange (h) must face the wheel.
5. Press the spindle lock (b) and prevent the spindle (e) from rotating until it locks in place.
6. Use the pin spanner to tighten the outer flange (h).

Preparation Before Use

- Attach the safety guard and appropriate abrasive or grinding wheels. Do not use abrasive or grinding wheels that are overly worn.
- Make sure that the inner and outer flanges are attached correctly.
- Make sure that the abrasive or grinding wheels are rotating in the direction of the arrows on the accessories and tool.

Operation (Fig. 5)

Instructions



Warning: Always observe the safety instructions and applicable regulations.



Warning: To minimize the danger of serious personal injury, please switch off the tool power and disconnect all plugs before adjusting or removing/installing any accessory. Before reassembling the tool, press and release the trigger switch to make sure the tool is already switched off.



Warning:

- Make sure all materials to be grinded are secured in position.
 - Apply slight pressure to the tool. Do not apply side pressure to the abrasive disc.
 - Avoid overloading. If the tool becomes hot, let it spin for a few minutes with no load.
1. Be sure to hold the tool tightly with both hands (one hand on housing, the other on side handle). Start the tool and bring the grinding wheel on the workpiece.

- Keep the edge of the wheel tilted at angle from 15 to 30 degrees against the surface of the workpiece.
- When using a new grinding wheel, do not operate the wheel in the B direction, otherwise, it will cut into the workpiece. When the edge of wheel has been rounded off, you are free to operate the grinder in either the A or B direction.

Starting and Stopping (Fig. 1)



Warning: Before using the tool, check whether the handle is tightened securely. Check whether the ON/OFF switch is working normally.

Before plugging in the tool to the power supply, check whether the switch is in the OFF (o) position when pressing the rear end of the switch.

To start the tool, press the rear end of the switch and slide it forward. Then press the front end of the switch to lock it. Press the rear end of the switch to stop the tool.



Warning: Do not switch the tool on or off while under load conditions.

Proper Hand Position (Fig. 6)



Warning: To reduce the risk of serious personal injury, ALWAYS use proper hand position as shown.



Warning: To reduce the risk of serious personal injury, ALWAYS hold securely in anticipation of a sudden reaction.

Proper hand position requires one hand on the side handle (figure 1), with the other hand on the body of the tool, as shown in figure 6.

Switches



Caution: Hold the body of the tool firmly to maintain control of the tool at start up and during use and until the wheel or accessory stops rotating. Make sure the wheel has come to a complete stop before laying the tool down.

Note: To reduce unexpected tool movement, do not switch the tool on or off while under load conditions. Allow the

grinder to run up to full speed before touching the work surface. Lift the tool from the surface before turning the tool off. Allow the tool to stop rotating before putting it down.

Slider switch (Fig. 1)

Warning: Before connecting the tool to a power supply, be sure the slider switch is in the off position by pressing the rear part of the switch and releasing. Ensure the slider switch is in the off position as described above after any interruption in power supply to the tool, such as the activation of a ground fault interrupter, throwing of a circuit breaker, accidental unplugging, or power failure. If the slider switch is locked on when the power is connected, the tool will start unexpectedly.

To start the tool, slide the slider switch (a) toward the front of the tool. To stop the tool, release the slider switch. For continuous operation, slide the switch toward the front of the tool and press the forward part of the switch inward. To stop the tool while operating in continuous mode, press the rear part of the slider switch and release.

Spindle lock (Fig. 1)

The spindle lock (b) prevents the output shaft from rotating when attaching or removing the grinding wheel. Only use the spindle lock when the tool is switched off, power is unplugged, and wheel stops completely.



Note: To minimize tool damages, don't use the spindle lock when the tool is operating.

Otherwise, it may damage the tool. The attached accessories may come off and cause injury.

If using the spindle lock, press the spindle lock button and rotate the output shaft until it stops.

Application on Metals

When applying the tool on metals, make sure that a residual-current device (RCD) is inserted to prevent danger from metal chips.

If the RCD causes power disconnection, have the tool sent to an authorized STANLEY dealer for repair.



Warning: Under extreme working conditions, conductive dust and grit may accumulate on the housing interior when handling metal workpieces.

This could create an electric shock hazard as it weakens the protective insulation in the grinder.

To avoid accumulation of metal chips in the interior of the grinder, we recommend cleaning the ventilation ducts daily. Refer to Maintenance.

Using Grinding Wheels



Warning: Metal powder accumulates. Excessive use of the grinding wheel on metals may increase the risk of electric shock. To reduce the risk, insert the RCD before use and clean the ventilation ducts daily. Follow the maintenance instructions below to blow dry compressed air into the ventilation ducts.

Maintenance

STANLEY power tools have been designed to operate over a long period of time with minimal maintenance. Continuous satisfactory operation depends upon proper tool care and regular cleaning.



Warning: To minimize the danger of serious personal injury, please switch off the tool power and disconnect all plugs before adjusting or removing/installing any accessory. Before reassembling the tool, press and release the trigger switch to make sure the tool is already switched off.



Lubrication

This power tool does not require separate lubrication.



Cleaning



Warning: Once visible dust accumulates on the ventilation ducts and the surrounding, immediately use dry air to blow away dust and grit out of the interior of the housing. You need to wear

approved eye and facial protective gear when performing this process.



Warning: Never use solvents or harsh chemicals to clean non-metal parts of the material of the parts. Use only mild soap and damp cloth to clean the tool. Never let any liquid get inside the tool; never immerse any part of the tool into liquid.

Accessories



Warning: Excluding accessories provided by STANLEY, all other accessories have not been tested for product compatibility. Using such accessories together with this tool may cause safety hazards. To minimize the risk of personal injury, we recommend you to use only STANLEY accessories with this product.

Please inquire at your dealer for more information regarding suitable accessories.

Protecting the environment



Separate collection. This product must not be disposed of with normal household waste.

Should you find one day that your STANLEY product needs replacement, or if it is of no further use to you, do not dispose of it with household waste. Make this product available for separate collection.



Separate collection of used products and packaging allows materials to be recycled and used again.

Re-use of recycled materials helps prevent environmental pollution and reduces the demand for raw materials.

Local regulations may provide for separate collection of electrical products from the household, at municipal waste sites or by the retailer when you purchase a new product. STANLEY provides a facility for the collection and recycling of STANLEY products once they have reached the end of their working life. To take advantage of this service please return your product to any authorised repair agent who will collect them on our behalf.

You can check the location of your nearest authorised repair agent by contacting your local STANLEY office at the address indicated in this manual. Alternatively, a list of authorised STANLEY repair agents and full details of our after-sales service and contacts are available on the Internet at: www.2helpU.com

Two years full warranty

If your STANLEY product becomes defective due to faulty materials or workmanship within 24 months from the date of purchase, STANLEY Europe guarantees to replace all defective parts free of charge or – at our discretion – replace the unit free of charge provided that:

- The product has not been misused and has been used in accordance with the instruction manual.
- The product has been subject to fair wear and tear;
- Repairs have not been attempted by unauthorised persons;
- Proof of purchase is produced.
- The STANLEY product is returned complete with all original components

If you wish to make a claim, contact your seller or check the location of your nearest authorised STANLEY repair agent in the STANLEY catalogue or contact your local STANLEY office at the address indicated in this manual. A list of authorised STANLEY repair agents and full details of our after sales service is available on the internet at: www.stanleytools.com

Figure 1

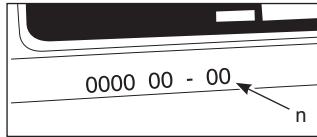
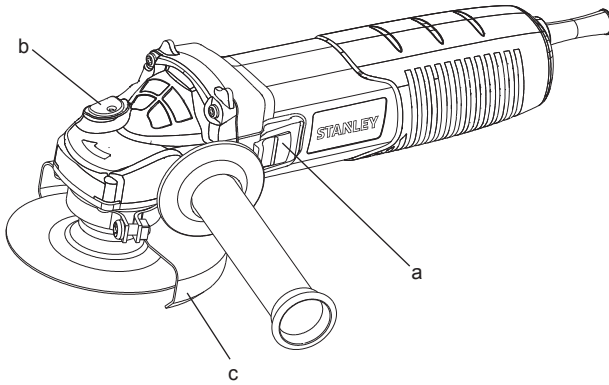


Figure 2

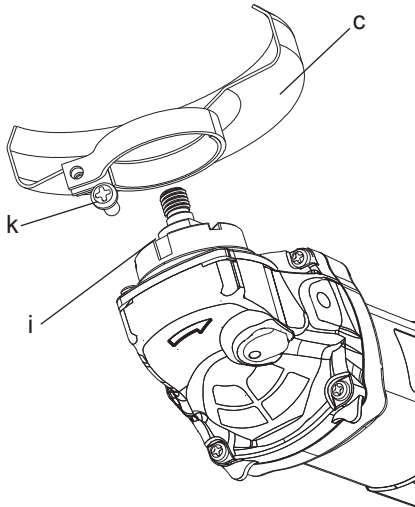


Figure 3

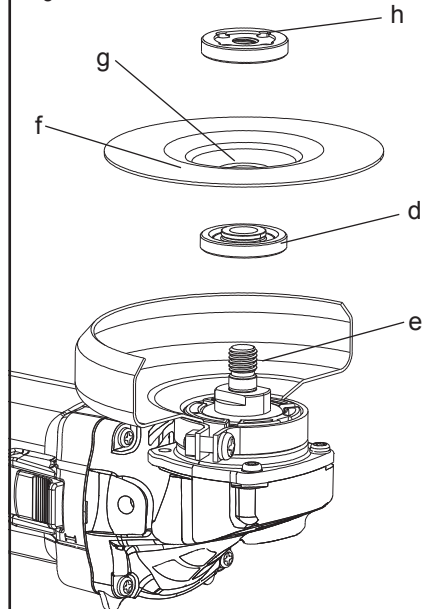


Figure 4

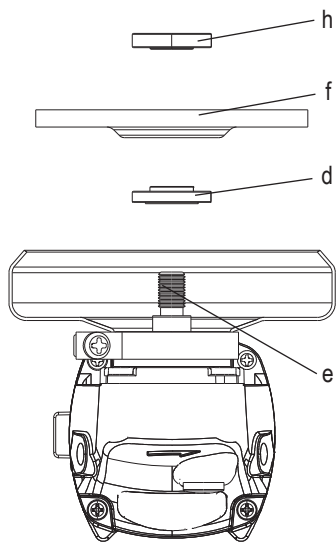


Figure 5

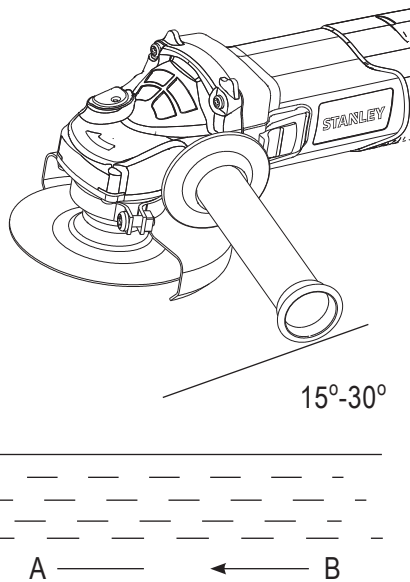
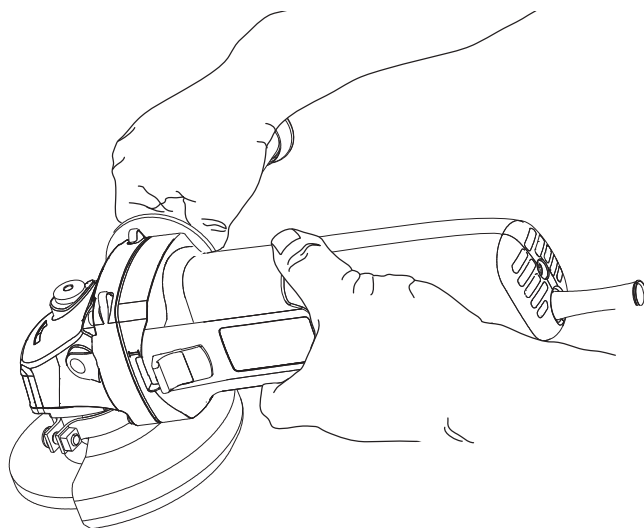


Figure 6



Données techniques

STGS9125		
Puissance nominale	W	900
Tension	V	220-240
Fréquence	Hz	50/60
Vitesse à vide/nominale	min-1	11,000
Diamètre du disque	mm	125
Épaisseur du disque de meulage	mm	6
Type de disque		27
Diamètre de l'axe		M14
Poids	kg	2.2

Définitions: Consignes de sécurité

Les définitions données ci-dessous décrivent le niveau de gravité pour chaque symbole. Veuillez lire ce manuel et prêter attention à ces symboles.



Danger: Indique une situation extrêmement dangereuse qui, si elle n'est pas évitée, aura pour conséquence des **blessures corporelles graves ou mortelles**.



Attention: Indique une situation potentiellement dangereuse qui, si elle n'est pas évitée, aura pour conséquence des **blessures corporelles graves ou mortelles**.



Avertissement: Indique une situation potentiellement dangereuse qui, si elle n'est pas évitée, aura pour conséquence des **blessures corporelles légères ou de gravité modérée**.

Avis: Indique une pratique **non reliée à des blessures corporelles** qui, si elle n'est pas évitée, aura pour conséquence des **dommages matériels**.



Indique un risque de choc électrique.



Indique un risque d'incendie.



Attention : Pour réduire le risque de blessures corporelles, lire ce manuel d'instructions.

Consignes générales de sécurité concernant les outils électroportatifs



Attention! Lire avec attention tous les avertissements et toutes les instructions. Le non-respect des avertissements et des instructions indiquées ci-dessous peut entraîner un choc électrique, un incendie et/ou des blessures graves

Conservez ces consignes et ces instructions pour référence ultérieure.

La notion "d'outil électroportatif" mentionnée par la suite se rapporte à des outils électriques raccordés au secteur (avec câble) ou fonctionnant avec piles (sans fil).

1. Sécurité de la zone de travail

- Maintenir la zone de travail propre et bien éclairée.**
Un lieu de travail en désordre ou mal éclairé augmente le risque d'accidents.
- Ne pas utiliser d'outils électroportatifs dans un environnement présentant des risques d'explosion ni en présence de liquides, gaz ou poussières inflammables.** Les outils électroportatifs génèrent des étincelles risquant d'enflammer les poussières ou les vapeurs.
- Pendant l'utilisation d'un outil électroportatif, les enfants et autres personnes présentes doivent rester éloignés.** En cas d'inattention, vous risquez de perdre le contrôle de l'outil.

2. Sécurité électrique

- La fiche de l'outil électrique doit être compatible avec la prise d'alimentation, Ne modifiez la fiche en aucun cas. N'utilisez pas d'adaptateurs avec des outils ayant une prise de terre.** Le respect de ces consignes réduit le risque de choc électrique.
- Eviter le contact physique avec des surfaces mises à la terre telles que tuyaux, radiateurs, fours et réfrigérateurs.** Le risque de choc électrique augmente si votre corps est relié à la terre.
- Ne pas exposer les outils électroportatifs à la pluie ou à l'humidité.** La pénétration d'eau dans un outil électroportatif augmente le risque de choc électrique.
- Ne pas maltraiter le câble d'alimentation. Ne jamais utiliser le câble pour porter l'outil, et ne le tirez pas pour débrancher l'outil. Maintenir le câble éloigné des sources de chaleur, de la graisse, des bords coupants et des pièces en rotation.** Un câble endommagé ou emmêlé augmente le risque de choc électrique.
- Lorsque vous utilisez l'outil électroportatif à l'extérieur, utilisez une rallonge homologuée pour une utilisation à l'extérieur.** L'utilisation d'une rallonge électrique homologuée pour les travaux à l'extérieur réduit le risque de choc électrique.
- Si l'outil doit être utilisé dans un endroit humide, utilisez un dispositif différentiel à courant résiduel (DDR).** L'utilisation d'un tel dispositif réduit le risque de choc électrique.

3. Sécurité personnelle

a. **Restez vigilant, surveillez ce que vous faites et faites preuve de bon sens quand vous utilisez un outil. N'utilisez pas un outil électroportatif lorsque vous êtes fatigué ou après avoir consommé de l'alcool ou pris des médicaments.** Un moment d'inattention en utilisant l'outil peut entraîner de graves blessures.

b. **Portez un équipement de protection. Portez toujours des lunettes de protection. Selon le travail à effectuer,** le port d'un équipement de protection tel que masque anti-poussières, chaussures de sécurité antidérapantes, casque ou protection auditive, réduit le risque de blessures.

c. **Évitez tout démarrage imprévu. L'interrupteur de l'outil doit être en position d'arrêt (off) avant d'effectuer le branchement à l'alimentation et/ou au bloc batterie, de ramasser l'outil ou de le porter.** Porter ou brancher un outil électrique dont l'interrupteur est en position Marche (on) est une invite à l'accident.

d. **Retirez les outils ou les clés de réglage avant de mettre l'outil en marche.** Une clé ou un outil se trouvant sur une partie en rotation peut causer des blessures.

e. **Adoptez une position confortable. Adoptez une position stable et gardez votre équilibre en permanence.** Vous contrôlerez mieux l'outil dans des situations inattendues.

f. **Portez des vêtements appropriés. Ne portez pas de vêtements amples ou de bijoux. N'approchez pas les cheveux, vêtements ou gants des pièces en mouvement.** Les vêtements amples, les bijoux ou les cheveux longs peuvent s'accrocher dans les pièces en mouvement.

g. **En cas d'utilisation d'appareils servant à aspirer ou à recueillir les poussières, assurez-vous qu'ils sont correctement raccordés et utilisés.** L'utilisation de tels dispositifs réduit les dangers dus aux poussières.

4. Utilisation des outils électroportatifs et précautions

a. **Respectez la capacité de l'outil. Utilisez l'outil approprié pour le travail à effectuer.** Avec un outil approprié, vous travaillerez mieux et en toute sécurité.

b. **N'utilisez pas un outil électroportatif dont l'interrupteur marche/arrêt est défectueux.** Un outil électroportatif qui ne répond pas à la commande marche/arrêt est dangereux et doit être réparé.

c. **Retirez la fiche de la prise de courant et/ou débranchez le bloc-batterie avant d'effectuer des réglages, de changer les accessoires ou de ranger l'outil.** Cette mesure de précaution empêche de mettre l'outil en marche accidentellement.

d. **Rangez les outils électroportatifs hors de la portée des enfants et les personnes ne connaissant pas l'outil ne doivent en aucun cas l'utiliser.** Les outils électroportatifs sont dangereux lorsqu'ils sont utilisés par des personnes non initiées.

e. **Entretenez les outils électroportatifs. Vérifiez que les parties en mouvement fonctionnent correctement et qu'elles ne sont pas coincées. Vérifiez qu'il n'y a pas de pièces cassées ou endommagées susceptibles de nuire au bon fonctionnement de l'outil. S'il est endommagé, faites réparer l'outil avant de l'utiliser.** De nombreux accidents sont la conséquence d'outils mal entretenus.

f. **Les outils de coupe doivent toujours être aiguisés et propres.** Des outils soigneusement entretenus avec des bords tranchants bien aiguisés se coincent moins souvent et peuvent être guidés plus facilement.

g. **Utilisez l'outil électroportatif, les accessoires et les forets, etc., conformément à ces instructions, en tenant compte des conditions de travail et des tâches à effectuer.** L'utilisation des outils électroportatifs à d'autres fins que celles prévues peut entraîner des situations dangereuses

5. Réparations

a. **Faites réparer votre outil électroportatif uniquement par du personnel qualifié et seulement avec des pièces de rechange appropriées.** Cela garantira le maintien de la sécurité de votre outil.

Consignes de sécurité spécifiques supplémentaires

Consignes de sécurité pour l'ensemble des opérations

a. **Cet outil électroportatif est conçu pour être utilisé comme meuleuse. Lire avec attention tous les avertissements, les instructions, les illustrations et les spécifications données avec cet outil.** Le non-respect des instructions indiquées ci-dessous peut entraîner un choc électrique, un incendie et/ou de graves blessures.

b. **Cet outil n'est pas recommandé pour des opérations telles que scier, poncer, nettoyer avec une brosse métallique ou polir.** L'utilisation à d'autres fins que celles prévues présente un danger et peut causer des blessures graves.

- c. **Seuls les accessoires spécialement conçus et recommandés par le fabricant doivent être utilisés. Même si un accessoire peut être fixé à l'outil, cela ne signifie pas que votre outil fonctionnera en toute sécurité.**
- d. **La vitesse nominale des accessoires doit être au moins égale à la vitesse maximale inscrite sur l'outil. Les accessoires dont la rotation est plus rapide que leur vitesse nominale peuvent se briser et éclater en plusieurs morceaux.**
- e. **La dimension de l'alésage central des disques, des brides, du plateau porte-disques ou autres accessoires doit correspondre exactement à la broche de l'outil.** Les accessoires avec un alésage central qui ne correspond pas au matériel de fixation de l'outil peuvent être difficiles à contrôler. Le niveau de vibrations peut augmenter, ce qui peut causer la perte du contrôle.
- f. **La dimension de l'alésage central des disques, des flasques, du plateau porte-disques ou d'autres accessoires doit correspondre exactement à l'axe de l'outil.** Les accessoires dont l'alésage central ne correspond pas au matériel de fixation de l'outil peuvent être difficiles à contrôler. Le niveau de vibrations peut augmenter et provoquer la perte du contrôle de l'outil.
- g. **Portez un équipement de protection. En fonction du travail à effectuer, utilisez un masque ou des lunettes de protection. Le cas échéant, portez un masque anti-poussières, des protections auditives, des gants et un tablier de travail afin de vous protéger des éventuels éclats.** En protégeant vos yeux, vous éviterez les éclats créés pendant le travail. En portant un masque anti-poussières, vous éviterez de respirer les particules créées pendant le travail. Une exposition prolongée aux bruits trop puissants peut entraîner la perte de l'ouïe.
- h. **Pour le maintien de la sécurité, éloignez les personnes autour de la zone de travail. Toute personne entrant dans la zone de travail doit porter un équipement de protection.** Des éclats de la pièce usinée ou d'un accessoire cassé peuvent être projetés au-delà de la zone de travail et causer des blessures.
- i. **Tenez l'outil uniquement au niveau des surfaces isolées, lorsque vous effectuez un travail qui pourrait mettre l'accessoire de coupe en contact avec des fils cachés ou son propre câble.** En touchant un fil sous tension, la charge électrique passe dans les parties métalliques de l'outil électroportatif et il y a risque de choc électrique.
- j. **Eloignez le câble des accessoires en rotation. Si vous perdez le contrôle, le câble peut être coupé ou s'accrocher et votre main ou votre bras peut se trouver entraîné dans l'accessoire en rotation.**
- k. **Ne posez jamais l'outil avant l'arrêt complet de l'accessoire.** L'accessoire en rotation peut s'accrocher à la surface, ce qui vous ferait perdre le contrôle de l'outil.
- l. **Ne mettez pas l'outil en marche en le portant.** L'accessoire en rotation peut attraper vos vêtements et vous blesser.
- m. **Nettoyez régulièrement les fentes d'aération de l'outil.** Le ventilateur de l'outil entraîne la poussière à l'intérieur de l'outil et une accumulation excessive de la poudre de métal peut causer des accidents liés à l'électricité.
- n. **Ne faites pas fonctionner l'outil à proximité de matières inflammables.** Les étincelles risquent d'enflammer ces matières.
- o. **N'utilisez pas d'accessoires nécessitant un liquide de refroidissement.** L'utilisation d'eau ou d'un autre liquide de refroidissement peut entraîner un choc électrique ou une électrocution.
- p. **N'utilisez pas de disques de Type 11 (conique) sur cet outil.** L'utilisation d'accessoires inappropriés peut causer des blessures.

Consignes de sécurité supplémentaires pour l'ensemble des opérations

Effet de retour et avertissements

L'effet de retour est une réaction soudaine d'un disque en rotation, d'un plateau porte-disques ou de tout autre accessoire coincé ou accroché. Ce genre de problème arrête rapidement l'accessoire de rotation.

L'outil devient alors incontrôlable et est entraîné en direction inverse de la rotation. Par exemple, si un disque polisseur est accroché ou coincé par la pièce à usiner, le bord du disque qui se trouve au point de pincement peut creuser la surface du matériau, ce qui provoque une mauvaise rotation du disque. Le disque peut être éjecté vers l'utilisateur ou à l'opposé selon la direction du mouvement du disque au point de pincement. Les disques polisseurs peuvent aussi se casser dans ce type de situation.

L'effet de retour est le résultat d'une utilisation inappropriée de l'outil voire de procédures ou de conditions d'utilisation incorrectes. Ceci peut être évité en appliquant les précautions adéquates, décrites ci-dessous:

a. En maintenant fermement l'outil, placez votre corps et votre bras de manière à pouvoir résister à la puissance du moteur. Utilisez toujours la poignée auxiliaire lorsqu'elle est fournie, pour contrôler au maximum l'effet de retour ou la réaction de couple au démarrage. L'utilisateur peut contrôler les réactions de couple ou les forces de retour, si les précautions nécessaires sont prises.

b. Ne placez jamais votre main à côté de l'accessoire en rotation. L'accessoire peut se retourner sur votre main.

c. Ne vous placez pas dans la zone de déplacement de l'outil si un effet de retour se produit. L'effet de retour pousse l'outil dans la direction opposée au mouvement du disque au point d'accrochage.

d. Prenez les précautions nécessaires pour travailler dans les coins, les arêtes vives, etc. Évitez de coincer ou de faire rebondir l'accessoire. Les coins, les arêtes vives ou les à-coups ont tendance à coincer l'accessoire en rotation et à causer la perte de contrôle ou un effet de retour.

e. Ne fixez pas une lame de sculpture ou une lame de scie dentée. Ce genre de lames crée fréquemment un effet de retour et la perte du contrôle.

Conseils de sécurité spécifiques pour les opérations de meulage

a. N'utilisez que les types de disque recommandés pour votre outil et la protection spécifique au disque sélectionné. Les disques destinés à d'autres outils ne peuvent être protégés correctement et par conséquent sont dangereux.

b. La protection doit être correctement fixée à l'outil, en exposant le disque le moins possible vers l'utilisateur pour le protéger au maximum. La protection permet de protéger l'utilisateur des éclats, d'un contact accidentel avec le disque et des étincelles qui pourraient enflammer les vêtements.

c. Les disques ne doivent être utilisés que pour les applications recommandées. Par exemple: ne meulez pas avec le côté du disque de coupe. Les disques abrasifs sont destinés au meulage périphérique, des forces latérales auraient pour conséquence de les briser.

d. N'utilisez que des flasques en bon état, de dimension et de forme appropriées à votre disque.

Les flasques de disque appropriés soutiennent le disque, ce qui limite le risque de casse. Les flasques des disque de coupe peuvent être différents de ceux des disque de meulage.

e. N'utilisez pas de disques usés pris sur des meuleuses plus grandes. Les disques destinés aux grandes meuleuses ne sont pas adaptés aux vitesses rapides des petites meuleuses et peuvent se décrocher.

Risques résiduels









Même en respectant les consignes de sécurité applicables et en utilisant des dispositifs de sécurité, certains risques résiduels ne peuvent pas être évités.

Sont inclus:

- Troubles auditifs
- Blessures causées par la projection d'éclats.
- Brûlures causées par les accessoires devenant chauds pendant l'utilisation.
- Blessures causées par l'utilisation prolongée d'un outil.
- Poussières contenant des substances nocives.

Étiquettes apposées sur l'outil

L'étiquette apposée sur votre outil peut contenir les symboles suivants:

	Lire le manuel d'instructions	Hz Hertz	 Construction de classe II	
	Utiliser une protection oculaire	W Watts	 Borne de terre	
	Utiliser des protections auditives	min minutes	 Symbole d'alerte	
		 Courant alternatif	 de sécurité
		----- Courant continu/min.. Rotations par minute
V	Volts	n_0	Vitesse à vide		
A	Ampères				

Position of date barcode

Le code de la date, comprenant aussi l'année de fabrication, est imprimé sur le boîtier de l'outil.

Exemple:

2014 XX JN
Année de fabrication

Contenu de la boîte

La boîte de cet outil contient:

- 1 Meuleuse d'angle
- 1 Carter de protection
- 1 Jeu de flasques
- 1 Clé
- 1 Poignée
- 1 Manuel d'instructions
- Contrôlez visuellement l'outil, les pièces et les accessoires pour vérifier qu'ils n'ont pas été endommagés pendant le transport.
- Prenez quelques instants pour lire et assimiler les instructions données dans ce manuel avant d'utiliser cet outil.

Description (Fig. 1)



Attention: Ne modifiez jamais un outil électrique ou une partie de l'outil, cela pourrait l'endommager et entraîner des blessures corporelles.

- a. Interrupteur Marche/Arrêt
- b. Blocage de l'arbre
- c. Carter de protection

Objectif de conception

Cette meuleuse d'angle est conçue spécialement pour le meulage.

N'utilisez pas de disques abrasifs ou de meulage autres que ceux dont le centre est incurvé.

N'utilisez pas l'outil dans un milieu humide ou à proximité de liquides ou de gaz inflammables.

Cette meuleuse d'angle ultra robuste est un outil électrique professionnel.

Ne laissez pas les enfants manipuler cet outil. Les opérateurs inexpérimentés doivent être surveillés lorsqu'ils utilisent cet outil.

Sécurité électrique des équipements

Le moteur électrique a été conçu pour une tension spécifique. Vérifiez toujours que la tension secteur correspond à celle indiquée sur la plaque signalétique.



Votre outil Stanley est doublement isolé et de ce fait, ne nécessite pas un branchement à la terre.

Lorsque le câble d'alimentation est endommagé, envoyez-le dans un centre de réparations Stanley pour qu'il soit remplacé par un câble spécialement préparé.

Utilisation d'un cordon prolongateur

Si l'utilisation d'un cordon prolongateur est nécessaire, veuillez utiliser une rallonge à 3 phases qui a été vérifiée et dont la puissance nominale correspond à l'outil (voir Données techniques). La taille minimale du conducteur est de 1,5mm² avec une longueur maximale de 30 mètres.

Si vous utilisez un enrouleur de câble, déroulez toujours le câble entièrement.

Assemblage et réglage



Attention! Pour minimiser le risque de blessures corporelles graves, veuillez éteindre et débrancher toutes les fiches avant de régler ou d'enlever/ajouter un accessoire. Avant de remonter l'outil, appuyez sur le déclencheur puis relâchez-le pour vous assurer que l'outil est bien éteint.

Installation et retrait du carter de protection (Fig. 2)

Attention! Pour minimiser le risque de blessures corporelles graves, veuillez éteindre et débrancher toutes les fiches avant de régler ou d'enlever/ajouter un accessoire. Avant de remonter l'outil, appuyez sur le déclencheur puis relâchez-le pour vous assurer que l'outil est bien éteint.

Installation du carter de protection

1. Placez la meuleuse d'angle sur un banc de travail, rainure vers le haut.
2. Alignez le flasque de la collerette du carter (c) sur la rainure (i) du boîtier d'engrenage.
3. Faites pivoter le carter (c) dans le sens antihoraire de 150 degrés.
4. Assurez-vous que les vis (k) sont serrées (k).

Retrait du carter de protection

1. Desserrez les vis (k) sur la collerette du carter.
2. Retirez le carter de protection (c).



Attention! Ne faites pas fonctionner l'outil sans le carter de protection en place.

Remarque: Reportez-vous au tableau des accessoires de meulage en fin de cette section pour consulter la liste des accessoires pouvant être utilisés avec cette meuleuse d'angle.

Installation et retrait du disque de meulage (Fig. 3, 4)



Attention! N'utilisez pas de disques endommagés.

1. Placez l'outil sur un banc de travail, rainure vers le haut.
2. Installez le flasque intérieur (d) correctement sur l'arbre de sortie (e) (Fig. 3).
3. Placez le disque de meulage (f) sur le flasque intérieur (d). Lorsque vous installez un disque de meulage avec un centre relevé, assurez-vous que le centre relevé du disque (g) est orienté vers le flasque intérieur (d).
4. Vissez fermement le flasque extérieur (h) sur l'arbre de sortie (e) (Fig. 4). Lorsque vous installez le disque de meulage, l'anneau situé sur le haut du flasque extérieur (h) doit être orienté vers le disque.
5. Maintenez le blocage de l'arbre (b) enfoncé et empêchez l'arbre (e) de pivoter jusqu'à ce qu'il soit verrouillé.

6. Utilisez une clé à ergot pour serrer le flasque extérieur (h).

Préparation avant l'utilisation

- Installez le carter de protection et les disques abrasifs ou de meulage appropriés. N'utilisez pas de disques abrasifs ou de meulage usés à l'excès.
- Assurez-vous que les flasques intérieur et extérieur sont correctement installés.
- Assurez-vous que les disques abrasifs ou de meulage tournent dans le sens des flèches présentes sur les accessoires et l'outil.

Fonctionnement (Fig. 5)

Instructions



Attention! Respectez toujours les consignes de sécurité et la réglementation en vigueur.



Attention! Pour minimiser le risque de blessures corporelles graves, veuillez éteindre et débrancher toutes les fiches avant de régler ou d'enlever/ajouter un accessoire. Avant de remonter l'outil, appuyez sur le déclencheur puis relâchez-le pour vous assurer que l'outil est bien éteint.



Attention:

- Assurez-vous que tous les matériaux à meuler sont arrimés en place.
 - Appliquez une légère pression sur l'outil. N'exercez pas de pression latérale sur le disque de meulage.
 - Évitez de surcharger l'outil. Si l'outil devient chaud, laissez-le tourner à vide pendant quelques minutes.
1. Maintenez fermement l'outil avec vos deux mains (une main sur le boîtier, l'autre sur la poignée latérale). Mettez l'outil en marche et approchez le disque de la meuleuse sur la pièce à meuler.

2. Conservez un angle de 15 à 30 degrés entre le bord du disque et la surface de la pièce.
3. Lorsque vous utilisez un disque à meuler neuf, ne faites pas fonctionner le disque dans la direction B, sinon il risque de couper dans la pièce à meuler. Lorsque le bord du disque s'est arrondi, vous pouvez alors faire fonctionner le disque dans la direction A ou B.

Mise en marche et arrêt (Fig. 1)



Attention! Avant d'utiliser l'outil, vérifiez que la poignée est correctement serrée. Vérifiez que l'interrupteur Marche/Arrêt fonctionne normalement.

Avant de brancher l'outil au secteur, vérifiez que l'interrupteur est bien en position Arrêt en appuyant sur l'extrémité arrière de l'interrupteur.

Pour démarrer l'outil, appuyez sur l'extrémité arrière de l'interrupteur et faites-le glisser vers l'avant. Puis appuyez sur l'extrémité avant de l'interrupteur pour le verrouiller. Appuyez sur l'extrémité arrière de l'interrupteur pour arrêter l'outil.



Attention! Ne mettez pas l'outil hors ou sous tension lorsqu'il est sous charge.

Position correcte des mains (Fig. 6)



Attention! Pour réduire le risque de blessures corporelles graves, placez TOUJOURS vos mains correctement comme indiqué.



Attention! Pour réduire le risque de blessures corporelles graves, maintenez TOUJOURS l'outil fermement en anticipation d'une réaction soudaine.

Une position correcte des mains demande une main sur la poignée latérale (figure 1), et l'autre main sur le corps de l'outil, comme le montre la figure 6.

Interrupteurs



Avertissement: Maintenez fermement le corps de l'outil pour en garder le contrôle au démarrage et pendant son utilisation, et jusqu'à l'arrêt du disque ou d'un accessoire. Veillez à attendre l'arrêt complet avant de reposer l'outil.

Remarque: Pour réduire le risque d'un mouvement inattendu de l'outil, ne le mettez pas hors ou sous tension

pendant qu'il est sous charge. Laissez la meuleuse atteindre sa pleine vitesse avant de toucher la surface à meuler. Soulevez l'outil de la pièce avant de l'éteindre. Attendez l'arrêt complet de l'outil avant de le poser.

Interrupteur à glissière (Fig. 1)

Attention! Avant de brancher l'outil au secteur, vérifiez que l'interrupteur à glissière est bien en position arrêt en appuyant sur l'extrémité arrière de l'interrupteur puis en le relâchant. Vérifiez que l'interrupteur à glissière est en position arrêt comme décrit ci-dessus après une interruption de l'alimentation électrique de l'outil, comme l'activation d'un détecteur de fuite à la terre, d'un coupe-circuit, un débranchement involontaire ou une panne électrique. Si l'interrupteur à glissière est bloqué lorsque l'outil est sous tension, l'outil peut redémarrer de manière inattendue

Pour démarrer l'outil, faites glisser l'interrupteur à glissière (a) vers l'avant de l'outil. Pour arrêter l'outil, relâchez l'interrupteur à glissière. Pour un fonctionnement continu, faites glisser l'interrupteur vers l'avant de l'outil et appuyez sur la partie avant de l'interrupteur. Pour arrêter l'outil opérant sous ce mode de fonctionnement, appuyez sur la partie arrière de l'interrupteur et relâchez.

Blocage de l'arbre (Fig. 1)

Le système de blocage de l'arbre (b) empêche l'arbre de tourner lors de l'installation ou du retrait du disque de meulage. N'utilisez ce système de blocage de l'arbre que lorsque l'outil est éteint et débranché et après l'arrêt complet du disque.



Remarque: Pour réduire les dommages causés à l'outil, n'utilisez pas le système de blocage de l'arbre lorsque l'outil est en marche. Si c'est le cas, cela peut endommager l'outil, les accessoires peuvent se détacher et causer des blessures.

Pour actionner le blocage de l'arbre, appuyez sur le bouton de blocage de l'arbre et faites pivoter l'arbre jusqu'à ce qu'il se bloque.

Meulage de métaux

Lorsque vous meulez des métaux, assurez-vous que le dispositif de courant résiduel (RCD) est inséré pour éviter tout danger provenant des copeaux métalliques.

Si le RCD provoque la suppression de l'alimentation, faites réparer l'outil dans un centre de service agréé Stanley.



Attention! Dans des conditions de travail extrêmes, la poussière et les salissures conductrices peuvent s'accumuler à l'intérieur du boîtier lorsque vous meulez des pièces métalliques. Cela pourrait créer un risque de choc électrique car l'isolation protectrice de la meuleuse en serait affaiblit.

Pour éviter l'accumulation de copeaux métalliques à l'intérieur de la meuleuse, nous vous recommandons de nettoyer les orifices d'aération tous les jours. Reportez-vous au chapitre sur l'entretien.

Utilisation des disques de meulage



Attention: La poudre métallique s'accumule. Une utilisation excessive du disque de meulage sur métaux peut augmenter le risque de choc électrique. Pour réduire ce risque, insérez le RCD avant d'utiliser l'outil et nettoyez les aérations quotidiennement. Suivez les instructions d'entretien données ci-dessous pour souffler de l'air comprimé dans les orifices d'aération.

Maintenance

Les outils électriques Stanley ont été conçus pour fonctionner sur une longue période de temps avec un minimum d'entretien. Un fonctionnement continu satisfaisant dépend d'un nettoyage et d'un entretien soigneux et régulier.



Attention: Pour minimiser le risque de blessures corporelles graves, veuillez éteindre et débrancher toutes les fiches avant de régler ou d'enlever/ajouter un accessoire. Avant de remonter l'outil, appuyez sur le déclencheur puis relâchez-le pour vous assurer que l'outil est bien éteint.



Lubrification

Cet outil électroportatif ne nécessite pas d'être lubrifié.



Nettoyage

Attention: Lorsque la poussière accumulée sur et autour des aérations est visible, utilisez immédiatement un souffleur d'air pour chasser la poussière et les salissures de l'intérieur du boîtier. Vous devez porter un équipement de protection

approuvé pour les yeux et le visage pour effectuer ce processus de nettoyage.



Attention: N'utilisez jamais de solvants ou de produits chimiques agressifs pour nettoyer les parties non-métalliques de l'outil. Ces produits chimiques peuvent affaiblir le matériau ou les pièces. Utilisez seulement un détergent doux et un chiffon humide pour nettoyer cet outil. Ne laissez jamais de liquide pénétrer à l'intérieur de l'outil; n'immergez jamais une partie de l'outil dans un liquide.

Accessoires



Attention: A l'exception des accessoires fournis par Stanley, la compatibilité de tous les autres accessoires avec cet outil n'a pas été testée.

L'utilisation de ce type d'accessoires avec cet outil peut entraîner un danger. Pour minimiser le risque de blessures corporelles, nous vous recommandons d'utiliser uniquement des accessoires Stanley avec cet outil.

Pour plus de renseignements concernant les accessoires appropriés, prenez contact avec votre revendeur.

Protection de l'environnement



Collecte sélective. Ne pas jeter cet appareil avec les ordures ménagères.

Si vous devez remplacer un appareil Stanley ou si vous ne l'utilisez plus, ne le jetez pas avec les ordures ménagères, mais dans les conteneurs de collecte sélective.



La collecte sélective des produits et des emballages usagés permet de recycler et de réutiliser leurs matériaux. La réutilisation de matériaux recyclés aide à protéger l'environnement contre la pollution et à réduire la demande en matières premières.

Les réglementations locales peuvent proposer la collecte sélective des appareils électriques ménagers, dans des déchetteries municipales ou par le revendeur lorsque vous achetez un nouvel appareil. Stanley dispose d'installations pour la collecte et le recyclage des produits Stanley en fin de vie. Pour profiter de ce service, veuillez rapporter votre appareil auprès d'un centre de réparation agréé qui se chargera de le collecter en notre nom.

Pour connaître l'adresse d'un centre de réparation agréé près de chez vous, contactez votre distributeur Stanley à l'adresse indiquée dans ce manuel, ou consultez la liste des centres de réparation agréés Stanley et tout renseignement complémentaire sur notre service après-vente sur le site internet à l'adresse: www.2helpU.com.

Garantie deux

Si votre appareil STANLEY s'avère défectueux en raison d'un vice de matériau ou de fabrication dans les 24 mois à compter de sa date d'achat, STANLEY Europe garantit le remplacement gratuit de toute pièce défectueuse ou – à notre entière discrétion – le remplacement gratuit de l'appareil, à condition que:

- L'appareil n'ait pas été utilisé avec négligence et qu'il ait été utilisé en suivant les instructions contenues dans ce manuel.
- L'appareil ait été soumis à une usure normale;
- Aucune réparation n'ait été effectuée par du personnel non autorisé;
- Une preuve d'achat soit fournie.
- L'appareil STANLEY soit retourné complet, avec l'ensemble de ses composants originaux.

Pour avoir recours à la garantie, contactez votre revendeur ou consultez l'emplacement du centre de réparation agréé Stanley le plus proche dans le catalogue, ou contactez le service clientèle Stanley à l'adresse indiquée dans ce manuel. Une liste des centres de réparation agréés Stanley et tout détail complémentaire concernant notre service après-vente sont à votre disposition sur notre site internet : www.stanleytools.com

Figure 1

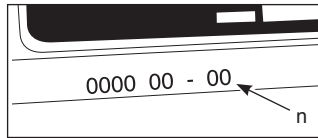
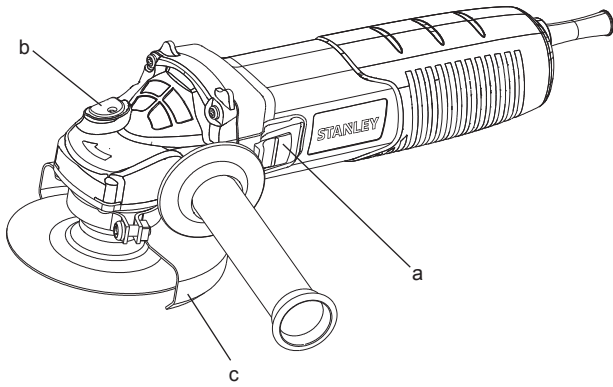


Figure 2

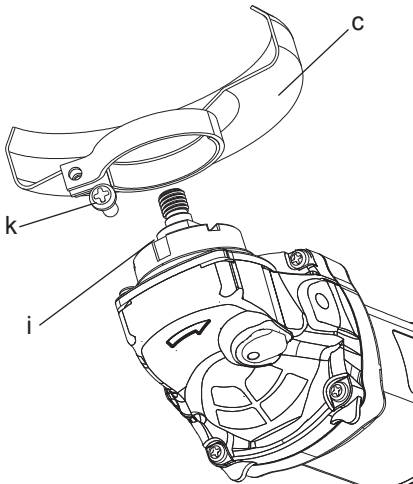


Figure 3

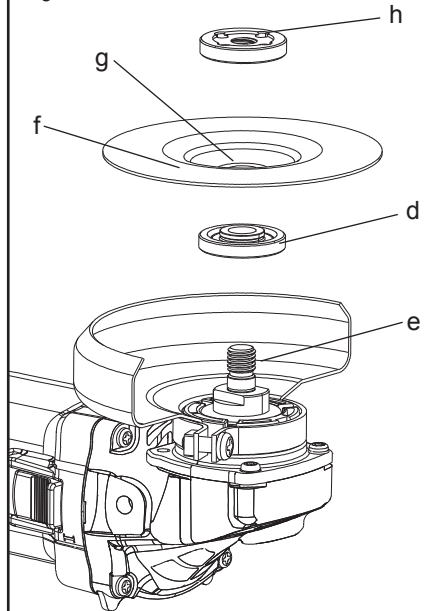


Figure 4

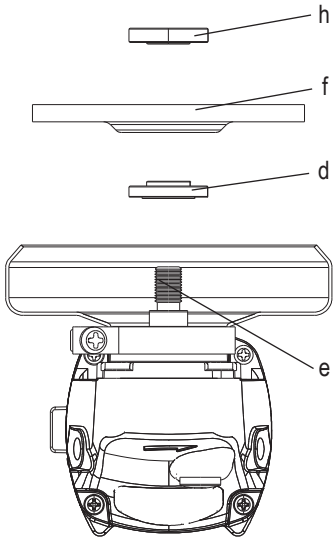


Figure 5

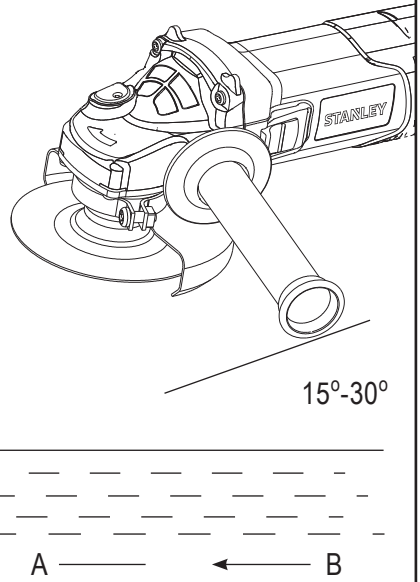
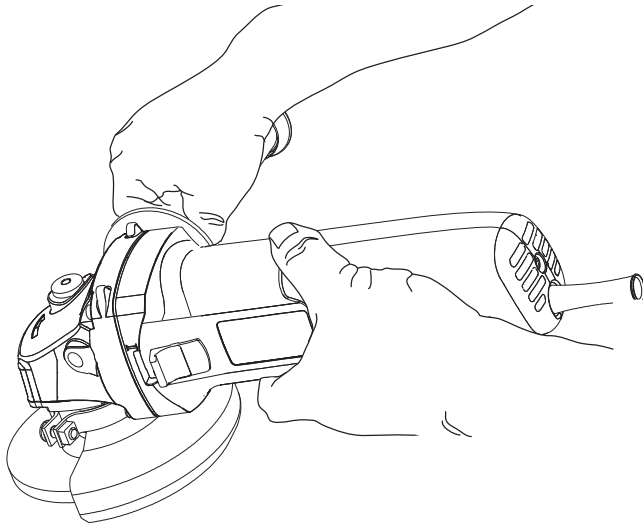


Figure 6



Dados técnicos

		STGS9125
Potência de entrada	W	900
Tensão	V	220-240
Frequência	Hz	50/60
Velocidade sem carga/ velocidade classificada	min-1	11.000
Diâmetro da mó	mm	125
Espessura das mós de retificar	mm	6
Tipo de mó		27
Diâmetro da árvore		M14
Peso	kg	2.2

Definições: Diretrizes de segurança

As definições abaixo descrevem o nível de segurança para cada palavra-sinal. Por favor, leia o manual e preste atenção a estes símbolos.



Perigo: Indica uma situação de perigo iminente que, se não for evitada, resultará em **morte ou ferimentos graves**.



Aviso: Indica uma situação de perigo iminente que, se não for evitada, **pode** resultar em **morte ou ferimentos graves**.



Atenção: Indica uma situação de perigo iminente que, se não for evitada, **pode** resultar em **ferimentos menores ou moderados**.

Indicação: Indica uma prática não relacionada a ferimentos pessoais que, se não for evitada, pode resultar em **danos materiais**.



Denota risco de choque elétrico.



Denota risco de incêndio.



Atenção: Para reduzir o risco de ferimentos, leia o manual de instruções.

Aviso de segurança geral de ferramenta elétrica



Aviso! Ler e compreender todas as instruções. A falha em seguir todas as instruções listadas em baixo podem resultar em choque, incêndio e/ou grave lesão pessoal.

Guarde todos estes avisos para futura consulta.

O termo “ferramenta elétrica” em todos os avisos em baixo listados refere-se aos meios operados (por cabo) da ferramenta elétrica ou ferramenta elétrica alimentada a bateria (sem fios).

1. Segurança de área de trabalho

- a. **Manter a área de trabalho limpa e bem iluminada.** Áreas desordenadas ou escuras são propícias a acidentes.
- b. **Não operar as ferramentas elétricas em atmosferas explosivas, tais como na presença de materiais, gases ou poeiras.** Ferramentas elétricas podem causar faíscas que acendam a poeira ou fumos.
- c. **Manter as crianças e transeuntes longe quando operar uma ferramenta elétrica.** Distrações podem-no fazer perder o controlo.

2. Segurança elétrica

- a. **As fichas das ferramentas elétricas devem ser iguais às das tomadas. Nunca modifique de qualquer forma a ficha. Não usar quaisquer fichas com ferramentas elétricas com ligação à terra (terra).** Fichas não modificadas e tomadas condizentes reduziram o risco de choque elétrico.
- b. **Evite o contacto físico com superfícies ligadas à terra tais como tubos, radiadores, conteúdos e frigoríficos.** Existe um risco maior de choque elétrico se o seu corpo estiver ligado à terra ou chão.
- c. **Não exponha as ferramentas elétricas a condições chuvosas ou húmidas.** Água que entre numa ferramenta elétrica aumentará o risco de choque elétrico.
- d. **Não abuse do fio. Nunca use o fio para carregar, puxar ou desligar a ferramenta elétrica. Mantenha o fio longe do calor, óleo, pontas afiadas ou partes móveis.** Fios danificados ou entrelaçados aumentam o risco de choque elétrico.
- e. **Quando operar uma ferramenta elétrica no exterior, use um fio de extensão adequado para uso exterior.** O uso de um fio apropriado para uso exterior reduz o risco de choque elétrico.
- f. **Se o uso de uma ferramenta elétrica num local húmido não for inevitável, use uma fonte protegida de dispositivo de corrente residual (DCR).** O uso de DCR reduz o risco de choque elétrico. Aviso: O termo “Dispositivo de Corrente Residual (DCR)” pode ser substituído por Disjuntor (D) ou por “Disjuntor Diferencial (DD)”.

3. Segurança pessoal

- a. **Esteja atento, tenha atenção ao que está a fazer e use o senso comum quando operar uma ferramenta elétrica. Não use ferramentas elétricas quando estiver cansado ou sob influência de drogas, álcool ou medicação.** Uma desatenção enquanto opera uma ferramenta elétrica pode causar graves danos pessoais.
 - b. **Use equipamento de proteção pessoal. Use sempre proteção ocular.** Equipamento protetor tal como máscara de poeiras, calçado anti derrapagem, capacete, ou proteção auditiva usada para as condições apropriadas de poeiras, calçado anti derrapagem, capacete, ou proteção auditiva usada para as condições apropriadas reduzirá o risco de lesões pessoais.
 - c. **Previna arranque indesejado. Assegure-se que o interruptor está na posição “off” antes de ligar à fonte de energia e/ou pilhas, ao pegar ou carregar a ferramenta.** Carregar ferramentas elétricas com o seu dedo no interruptor ou alimentar ferramentas elétricas que têm o interruptor ligado propiciam os acidentes.
 - d. **Remova qualquer chave de ajuste ou chave antes de ligar a ferramenta elétrica.** Uma chave deixada presa à peça em rotação pode resultar em lesões pessoais.
 - e. **Não se exceda. Mantenha sempre a posição de pés adequada e equilíbrio.** Isto permite um melhor controlo da ferramenta elétrica em situações inesperadas.
 - f. **Vista-se apropriadamente. Não use roupas largas ou joias. Mantenha o seu cabelo, vestuário e luvas longe das partes em movimento.** Vestuário largo, joias ou cabelo comprido podem ficar presos nas peças em movimento.
 - g. Se são fornecidos dispositivos para a coleção ou extração de poeiras e instalações de coleção, assegure-se que estes estão ligados e são usados apropriadamente. Uso da recolha de poeira pode reduzir o risco de perigos relacionados com a poeira.
- ### 4. Uso e cuidado da ferramenta elétrica
- a. **Não forçar a ferramenta elétrica. Use a ferramenta elétrica correta para a sua tarefa.** A ferramenta elétrica correta fará o trabalho melhor de forma mais segura à medida para a qual foi desenhada.
 - b. **Não use a ferramenta elétrica se o interruptor não a ligar ou desligar.** Qualquer ferramenta elétrica que não possa ser controlada com o interruptor é perigosa e deve ser reparada.
 - c. **Desligue a fiche da fonte de energia e/ou pilha da ferramenta elétrica antes de fazer qualquer ajuste mudar acessórios ou guardar as ferramentas elétricas.** Tais medidas preventivas reduzem o risco de ligar a ferramenta elétrica acidentalmente.

- d. **Guarde ferramentas elétrica inativas fora do alcance das crianças e não permita a pessoas não familiarizadas com as ferramentas elétricas a operar a ferramenta elétrica.** Ferramentas elétricas são perigosas nas mãos de utilizadores não preparados.
- e. **Reveja as ferramentas elétricas. Verifique se há desalinhamento ou ligação das peças móveis, se as peças quebraram e quaisquer outras condições que possam afetar a operação das ferramentas elétricas.** Muitos acidentes são causados por ferramentas elétricas mal revistas.
- f. **Mantenha as ferramentas de corte afiadas e limpas.** Ferramentas de corte devidamente revistas com superfícies de corte afiadas têm menos probabilidades de ligar e mais fáceis de controlar.
- g. **Utilize a ferramenta elétrica, os acessórios e as brocas, etc., de acordo com estas instruções e tendo em atenção as condições de trabalho e o trabalho a ser executado.** A utilização de ferramenta elétrica para diferentes operações das indicadas pode resultar numa situação perigosa.

5. Manutenção

- a. **Mantenha a sua ferramenta elétrica revista por uma pessoa especializada de reparações usando só peças de substituição idênticas.** Isto assegurar que a segurança da ferramenta elétrica está mantida.

Regras adicionais de segurança específicas

Instruções de segurança para todos os avisos de operações

- a. **Esta ferramenta elétrica destina-se a funcionar como uma retificadora. Leia todos os avisos de segurança, instruções, ilustrações e especificações fornecidas com esta ferramenta elétrica.** Não seguir todas as instruções indicadas abaixo pode resultar em choque elétrico, incêndio e/ou ferimentos graves.
- b. **Operações como corte, lixadeira, escova de arame ou máquina de polir não são recomendadas para serem executadas com esta ferramenta elétrica.** Operações para as quais a ferramenta elétrica não foi concebida podem criar perigo e causar ferimentos pessoais.
- c. **Não use acessórios que não são especificamente desenhados pelo fabricante da ferramenta.** Só porque o acessório pode ser ligado à sua ferramenta elétrica, isto não assegura uma operação segura.
- d. **TA velocidade marcada do acessório deve pelo menos ser igual à velocidade máxima marcada na ferramenta elétrica.** Acessórios funcionando mais depressa do que a sua velocidade marcada podem partir e os bocados voar.

- e. **O diâmetro exterior e grossura do seu acessório deverão estar dentro da capacidade da sua ferramenta elétrica.** Acessórios com o tamanho incorreto não podem ser adequadamente guardados ou controlados.
- f. **A dimensão da árvore das mós, flanges, blocos de apoio ou qualquer outro acessório deve fixar a árvore adequadamente da ferramenta elétrica.** Os acessórios com furos de árvore que não se ajustam com o hardware de suporte da ferramenta elétrica funcionarão sem equilíbrio, vibrarão excessivamente e pode causar perda de controlo.
- g. **Não usar um acessório danificado. Antes de cada utilização inspecione o acessório tal como a disco de abrasão para lascas e quebras, apoio de suporte para quebras, rasgo ou desgaste excessivo, por folgas ou fios quebrados. Se a ferramenta elétrica ou acessório cair, inspecionar por danos ou instalar um acessório não danificado. Depois de inspecionar e instalar um acessório, posicione-se a si e aos transeuntes longe do plano de rotação do acessório à velocidade máxima sem carga durante um minuto.** Acessórios danificados quebrarão durante este tempo de teste.
- h. **Use equipamento de proteção pessoal. Dependendo da aplicação, use escudo facial, óculos de segurança. Se apropriado, use máscara de poeira, proteções auditivas, luvas e avental de trabalho capaz de reter pequenos abrasivos ou fragmentos da peça.** A proteção ocular deverá ser capaz de parar resíduos em voo criados por várias operações. A máscara de poeira deverá ser capaz de filtrar partículas geradas pela sua operação. Exposição prolongada a ruídos de alta intensidade pode causar a perda de audição.
- i. **Mantenha os transeuntes a uma distância segura da área de trabalho. Qualquer pessoa que entre na área de trabalho deve usar equipamento de proteção pessoal.** Fragmentos de peças ou de um acessório partido podem voar e lesionar para além da área imediata de operação.
- j. **Segura a ferramenta elétrica só pela superfície de pega isolada, quando executar ma operação onde o acessório de corte pode entrar em contacto com fios escondidos ou o seu próprio fio.** O acessório de corte quando entra em contacto com os fios pode eletrificar as partes de metal expostas e causar um choque no operador.
- k. **Posicione o fio livre dos acessórios de rotativos.** Se perder o controlo, o fio pode ser cortado ou preso e a sua mão ou braço serão puxados em direção do acessório rotativo.
- l. **Nunca pouse a ferramenta elétrica até que o acessório tenha parado completamente.** O acessório rotativo pode aderir à superfície e tirar a ferramenta elétrica do seu controlo.
- m. **Não opera a ferramenta elétrica enquanto a carrega ao seu lado.** Contacto accidental com o acessório rotativo pode prender a sua roupa, puxando o acessório em direção ao seu corpo.
- n. **Limpe regularmente as abertura de ar da sua ferramenta elétrica.** A ventoinha do motor colocará a poeira no interior da carcaça no exterior e a acumulação excessiva de metal em poeira poderá causar perigos elétricos.
- o. **Não operar a ferramenta elétrica perto de materiais inflamáveis.** Faíscas poderão incendiar estes materiais.
- p. **Não usar acessórios que necessitam de refrigerantes líquidos.** Usando água ou outros refrigerantes líquidos podem causar electrocução ou choque.

Mais Instruções de Segurança para Todas as Operações

Avisos de Recuo e Semelhantes

Recuo é uma reação súbita de um disco, suporte de apoio ou qualquer outro acessório aperado ou preso. Apertar ou prender causa rápida paragem do acessório de rotação que por sua vez faz com que a ferramenta elétrica sem controlo seja forçada na direção oposta à rotação do acessório no ponto de ligação.

Por exemplo, se um disco abrasivo está preso ou apertado pela peça, a ponta da peça que está a entrar no ponto de aperto pode surgir na superfície do material fazendo com que a disco suba ou saia fora. O disco pode tanto saltar em direção ou para longe do operador, dependendo da direção do movimento do disco no momento do aperto. Discos abrasivos podem quebrar sob estas condições.

Recuo é o resultado do mau uso da ferramenta e/ou procedimentos incorretos de operação ou condições e pode ser evitado tomando as precauções próprias como dado em baixo:

- a. **Manter uma pega firme na ferramenta elétrica e posicionar o seu corpo e braço para lhe permitir às forças de recuo. Use sempre a pega auxiliar, se fornecida, para máximo controlo sobre o recuo ou reação de torção durante a ligação.** O operador pode controlar a reação de torção ou forças de recuo, se tomar as medidas adequadas.
- b. **Nunca colocar a sua mão perto do acessório rotativo.** Acessório pode recuar em direção à sua mão.
- c. **Não posicione o seu corpo na área onde a ferramenta elétrica se moverá se houver recuo.** Recuo impulsionará a ferramenta na direção oposta ao movimento do disco no ponto de aperto.
- d. **Tenha especial cuidado quando trabalhar com cantos, pontas afiadas, etc. Evite que o acessório salte e aperte.** Cantos, pontas afiadas ou saltos têm uma tendência para apertar o acessório de rotação e causar a perda de controlo ou recuo.
- e. **Não ligue uma lâmina de corte de Madeira ou lâmina dentada.** Tais lâminas criam recuos frequentes ou perda de controlo.

Avisos de segurança específicos para operações de retificação

- a. **Utilize apenas os tipos de mós que são recomendados para a sua ferramenta elétrica e a proteção específica concebida para a mó selecionada.** Mós para as quais a ferramenta elétrica não foi concebida, não pode ser protegida adequadamente e não são seguras.
- b. **A proteção deve ser fixada com firmeza à ferramenta elétrica e posicionada para segurança máxima para que o valor mínimo da mó fica exposta na direção do operador.** A proteção ajuda a proteger o operador de fragmentos da mó partida e contacto acidental com a mó e as faíscas que podem inflamar com a roupa.
- c. **As mós devem ser utilizadas apenas para as aplicações recomendadas. Por exemplo: não retificar com o lado da mó de corte.** Mós abrasivas de corte estão concebidas para retificação periférica, forças laterais aplicadas a estas mós podem despedaçar.

- d. **Utilizar sempre flanges de mó não danificadas que são da dimensão correta e forma para a sua mó selecionada.** As flanges de mós apropriadas apoiam as mós de corte reduzindo assim a possibilidade de quebra. As flanges para as mós de corte podem ser diferentes das flanges de mó de retificação.
- e. **Não utilizar mós com desgaste de ferramentas elétricas maiores.** A mó destinada para ferramenta elétrica maior não é adequada para a velocidade mais elevada de uma ferramenta inferior e pode estourar.

Riscos residuais









Mesmo com a aplicação das regras de segurança relevantes e a implementação de dispositivos de segurança, certos riscos residuais não podem ser evitados.

Estes são:

- Perda de audição
- Risco de ferimentos pessoais devido a partículas no ar.
- Risco de queimaduras devido aos acessórios que ficam quentes durante a operação.
- Risco de ferimentos pessoais devido a utilização prolongada.
- Risco de poeira de substâncias perigosas.

Etiquetas na ferramenta

A etiqueta na sua ferramenta pode incluir os seguintes símbolos:

	Ler Manual de Instruções	Hz Hertz	 Classe II Construção	
	Usar proteção ocular	W Watts	 Símbolo de Aviso de	
	Usar proteção auditiva	min minutos	 Terminal de Ligação à Terra	
		 Corrente Alternada	 Rotações ou Reciprocaciones por minuto
		----- Corrente Direta/min..	
V	Volts	n ₀	Velocidade em vazio		
A	Amperes				

Posição do código de barras de dados

O código de Dados, que também inclui o ano de fabrico, é impresso na carcaça.

Exemplo:

2014 XX JN
Ano de Fabrico

Conteúdo da embalagem

Esta embalagem do produto inclui:

- 1 Retificador de ângulos
- 1 Proteção
- 1 Conjunto de flanges
- 1 Chave inglesa
- 1 Pega
- 1 Manual de instruções
- Verifique a ferramenta, peças e acessórios para ver se estão danificados por causa do transporte.
- Demore alguns momentos a ler e a compreender o manual antes de utilizar a ferramenta.

Descrição (Fig. 1)



Atenção: Nunca altere a ferramenta elétrica ou qualquer parte da ferramenta, caso contrário pode causar danos à ferramenta ou resultar em danos pessoais.

- a. Botão LIGAR/DESLIGAR (ON / OFF)
- b. Bloqueio da árvore
- c. Proteção

Finalidade do projeto

Esta retificadora de ângulo é concebida especialmente para retificação.

Não utilize discos de lixa e outras mós de retificação diferentes daquelas de centro com baixo-relevo.

Não utilize a ferramenta em condições de humidade ou ambientes na presença de líquidos inflamáveis ou gases.

Esta retificadora de ângulos pesada é uma ferramenta elétrica profissional.

Não permita que as crianças entrem em contacto com esta ferramenta. É exigido aos operadores inexperientes que utilizem esta ferramenta sob supervisão.

Segurança do equipamento elétrico

Apenas uma tensão é aplicável a esta ferramenta. Verifique sempre se o fornecimento de energia corresponde à tensão na placa de características.



A sua ferramenta Stanley está equipada com isolamento duplo, assim, não necessita de ser ligado à terra.

Quando o cabo de alimentação estiver danificado, tem de o enviar para um centro de serviços Stanley para substituição de cabos preparados especialmente.

Utilizar cabos de extensão

Se for necessário um cabo de extensão, por favor selecione um cabo de extensão de 3 fases que tenha sido inspecionado e corresponda com a potência de entrada (ver dados técnicos) desta ferramenta. A dimensão mínima do condutor é de 1,5mm², comprimento máximo é de 30 metros.

Quando utilizar uma bobina de cabo, certifique-se de puxar todos os cabos.

Montagem e ajuste



Atenção: Para minimizar o risco de ferimentos pessoais graves, por favor, desligue a ferramenta elétrica e tire todas as fichas antes do ajuste ou remoção/instalação de qualquer acessório. Antes de montar novamente a ferramenta, pressione e solte o interruptor ativador para garantir que a ferramenta já está desligada.

Fixação e remoção da proteção da mó (Fig. 2)



Atenção: Para minimizar o risco de ferimentos pessoais graves, por favor, desligue a ferramenta elétrica e retire todas as fichas antes do ajuste ou remoção/instalação de qualquer acessório. Antes de montar novamente a ferramenta, pressione e solte o interruptor ativador para garantir que a ferramenta já está desligada.

Fixação da proteção

1. Coloque a retificadora de ângulo numa bancada de trabalho, ranhura voltada para cima.
2. Traga a flange do colar de proteção (c) sobre a ranhura (i) da caixa de engrenagens.
3. Rode a proteção (c) na direção dos ponteiros do relógio a 150 graus.
4. Verifique que os parafusos (k) estão apertados.

Remoção da proteção

1. Desaperte os parafusos (k) no colar de proteção.
2. Tire a proteção (c).



Atenção: Não utilizar a ferramenta quando a guarda de segurança não está no lugar.

Nota: Consulte a tabela de acessórios de retificação no final desta seção para os acessórios que podem ser utilizados em conjunto com esta retificadora de ângulo.

Fixação e remoção das mós de retificação (Fig 3, 4)



Atenção: Não utilize mós de retificação danificadas.

1. Coloque a ferramenta numa bancada de trabalho, ranhura voltada para cima.
2. Fixe a flange interior (d) corretamente no eixo de transmissão (e) (Fig. 3).
3. Coloque a mó de retificar (f) na flange interior (d). Quando colocar uma mó de retificar com um centro elevado, certifique-se de que o centro elevado (g) faz face à flange interna interior (d).
4. Aperte a flange exterior (h) até ao eixo de saída (e) (Fig. 4). Quando fixar a mó de retificar, o anel no topo da flange externa (h) deve fazer face à mó.
5. Pressione o bloqueio da árvore (b) e evite que a árvore (e) faça a rotação até que se encaixe no lugar.
6. Utilize a chave inglesa de pino para apertar a flange exterior (h).

Preparação antes de utilizar

- Fixe a proteção de segurança e abrasivo ou mós de retificação adequados. Não utilize abrasivo ou mós de retificação que estão excessivamente desgastados.
- Certifique-se de que as flanges internas e exteriores estão fixadas corretamente.
- Certifique-se de que o abrasivo ou mós de retificação estão a rodar na direção das setas nos acessórios e ferramenta.

Instruções (Fig. 5)

de operação



Atenção: Observe sempre as instruções de segurança e regulamentos aplicáveis.



Atenção: Para minimizar o risco de ferimentos pessoais graves, por favor, desligue a ferramenta elétrica e retire todas as fichas antes do ajuste ou remoção/instalação de qualquer acessório. Antes de montar novamente a ferramenta, pressione e solte o interruptor ativador para garantir que a ferramenta já está desligada.



Atenção:

- Certifique-se que todos os materiais a serem retificados estão seguros na posição.
 - Aplique uma leve pressão Na ferramenta. Não aplique pressão lateral no disco abrasivo.
 - Evite sobrecarga. Se a ferramenta ficar quente, deixe-a centrifugar durante alguns minutos sem carga.
1. Certifique-se de manter a ferramenta firmemente com as duas mãos (uma mão no corpo, a outra na alça lateral). Inicie a ferramenta e traga a mó de retificar sobre a peça de trabalho.

- Manter a esquina da mó inclinada em ângulo de 15 a 30 graus contra a superfície da peça de trabalho.
- Quando utilizar uma mó de retificar nova, não operar a mó na direção B, caso contrário, cortará na peça de trabalho. Quando a esquina da mó foi arredondada, está livre para operar a retificadora tanto na direção A ou B.

Iniciando e Parando (Fig. 1)



Atenção: Antes de utilizar a ferramenta, verifique se o cabo está bem apertado. Verifique se o interruptor ON/OFF está a funcionar normalmente.

Antes de ligar a ferramenta ao fornecimento de energia, verifique se o interruptor está na posição OFF (o) ao pressionar a extremidade traseira do interruptor.

Para iniciar a ferramenta, pressione a extremidade traseira do interruptor e deslize-a para a frente. Em seguida, pressione a extremidade dianteira do interruptor para o bloquear. Pressione a extremidade traseira do interruptor para parar a ferramenta.



Atenção: Não ligue ou desligue a ferramenta enquanto em condições de carga.

Posição da mão adequada (Fig. 6)



Atenção: Para reduzir o risco de ferimentos pessoais graves, utilize SEMPRE a posição da mão adequada como mostrado.



Atenção: Para reduzir o risco de ferimentos pessoais graves, segure SEMPRE com segurança em antecipação a uma reação súbita.

A posição da mão adequada requer uma mão no manípulo lateral (figura 1), com a outra mão no corpo da ferramenta, como mostrado na figura 6.

Interruptores



Aviso: Segure o corpo da ferramenta com firmeza para manter o controlo da ferramenta ao iniciar e durante a utilização e até que a mó ou acessório para de rodar. Certifique-se de que a mó chegou a uma paragem completa antes de estabelecer a ferramenta.

Nota: Para reduzir o movimento inesperado da ferramenta, não ligar a ferramenta ou desligar enquanto em condições de carga. Permitir que a retificadora funcione na velocidade

máxima antes de tocar a superfície de trabalho. Levante a ferramenta a partir da superfície antes de desligar a ferramenta. Permitir que a ferramenta pare de rodar antes de a descer.

Interruptor do cursor (Fig. 1)

Atenção: Antes de ligar a ferramenta a uma fonte de alimentação, verifique se o interruptor deslizante está na posição desligado, pressionando a parte traseira do interruptor e soltando. Garantir que o interruptor deslizante na posição desligado como acima descrito depois de qualquer interrupção no fornecimento de energia à ferramenta, como a ativação de um interruptor de falta à terra, lançamento de um disjuntor, desligar ficha accidental ou falha de energia. Se o interruptor deslizante está bloqueado quando a energia está ligada, a ferramenta vai começar de forma inesperada.

Para iniciar a ferramenta, deslize o interruptor deslizante (a) em direção à frente da ferramenta. Para parar a ferramenta, solte o interruptor deslizante. Para o funcionamento contínuo, deslize o interruptor em direção à frente da ferramenta e pressione a parte da frente do interruptor interno. Para parar a ferramenta enquanto estiver a operar em modo contínuo, pressione a parte traseira do interruptor deslizante e solte.

Bloqueio da árvore (Fig. 1)

O bloqueio da árvore (b) impede a saída do eixo de rodar quando fixa ou remove a mó de retificar. Só utilize o bloqueio da árvore quando a ferramenta está desligada, a energia está desligada e a mó para completamente.



Nota: Para minimizar os danos da ferramenta, não utilize o bloqueio da árvore quando a ferramenta está em funcionamento. Caso contrário, pode danificar a ferramenta. Os acessórios ligados podem soltar e provocar ferimentos.

Se utilizar o bloqueio da árvore, pressione o botão de bloqueio da árvore e rode o eixo de saída até que ele pare.

Aplicação em metais

Quando aplica a ferramenta em metais, certifique-se de que um dispositivo de corrente residual (RCD) está inserida para prevenir o perigo de aparas.

Se o RCD provoca o corte de energia, tem de enviar a ferramenta a um revendedor autorizado Stanley para a reparar.



Atenção: Sob condições de trabalho extremas, poeira condutora e areia pode acumular-se no interior do corpo quando trabalha peças de metal. Isso poderia criar um perigo de choque elétrico pois enfraquece o isolamento de proteção na retificadora.

Para evitar o acúmulo de aparas de metal no interior da retificadora, recomendamos a limpeza dos tubos de ventilação diariamente. Consulte a manutenção.

Utilizar mós de retificar



Atenção: O pó do metal acumula. A utilização excessiva da mó de retificar em metais pode aumentar o risco de choque elétrico. Para reduzir o risco, insira o RCD antes de utilizar e limpar os tubos de ventilação diariamente. Siga as instruções de manutenção abaixo para soprar ar comprimido seco para os tubos de ventilação.

Manutenção

As ferramentas elétricas foram concebidas para operar durante um longo período de tempo com um mínimo de manutenção. Um funcionamento satisfatório permanente depende de uma manutenção adequada e de uma limpeza regular da ferramenta.



Atenção: Para minimizar o risco de ferimentos pessoais graves, por favor, desligue a ferramenta elétrica e retire todas as fichas antes do ajuste ou remoção/instalação de qualquer acessório. Antes de montar novamente a ferramenta, pressione e solte o interruptor ativador para garantir que a ferramenta já está desligada.



Lubrificação

Esta ferramenta elétrica não requer lubrificação em separado.



Limpeza



Atenção: Uma vez que a poeira visível acumula nos dutos de ventilação e nas redondezas, utilize imediatamente ar seco para soprar a poeira e a areia para fora do interior do corpo. Necessita de usar proteção aprovada para os olhos e facial quando executa este processo.

Atenção: Nunca utilizar solventes ou produtos químicos agressivos para limpar peças não metálicas do material das peças. Utilize apenas sabão suave e pano húmido para limpar a ferramenta. Nunca permita qualquer líquido dentro da ferramenta; nunca emergir qualquer peça da ferramenta em líquido.

Acessórios



Atenção: Excluindo os acessórios fornecidos pela Stanley, todos os outros acessórios não foram testados para a compatibilidade do produto. Utilizando tais acessórios juntamente com esta ferramenta pode causar perigos na segurança. Para minimizar o risco de ferimentos pessoais, nós recomendamos que utilize apenas os acessórios Stanley com este produto.

Por favor, questione o seu revendedor para obter mais informações sobre os acessórios adequados.

Protegendo o ambiente



Recolha separada. Este produto não deve ser descartado com o resto do lixo caseiro normal.

Se encontrar que um dia o seu produto Stanley precisa de substituição, ou se já não tem mais uso para si, não o descarte com o resto de lixo caseiro normal. Disponibilize este produto para recolha separada.



Recolha separada dos produtos usados e embalagens permite que os materiais sejam reciclados e usados de novo. Reutilizar materiais

reciclados ajuda a prevenir poluição ambiental e reduz a necessidade de matéria-prima.

Leis locais podem fornecer recolha separada de produtos elétricos das casas, em sítios de resíduos municipais ou no vendedor quando você compra um novo produto. Stanley oferece uma instalação para a recolha e reciclagem de produtos Stanley uma vez que estes atingiram o fim da sua vida útil. Para desfrutar deste serviço por favor devolva o seu produto a qualquer agente autorizado de reparações que os recolherá em nosso nome.

Você pode verificar a localização do seu agente de reparações autorizado mais próximo contactando o seu escritório local Stanley no endereço indicado neste manual. Alternativamente, uma lista de agentes de reparações autorizados pela Stanley e detalhes completos dos nossos serviços pós-venda e contactos estão disponíveis na Internet em: www.2helpU.com

Dois ano de garantia total

Se o seu produto STANLEY ficar defeituoso devido a materiais ou mão-de-obra defeituosos em 24 meses a contra da data da compra, STANLEY Europe garante a substituição de todas as peças defeituosas sem custos – por nossa conta – substitui a unidade sem custos dado que:

- O produto não foi mal usado e foi usado de acordo com o manual de instruções.
- O produto foi sujeito a uso e desgaste justo;
- Não foram tentadas reparações feitas por pessoas não autorizadas;
- É fornecida um comprovativo de compra.
- O produto STANLEY é devolvido com todos os seus componentes originais.

Se quiser apresentar uma reclamação, contacte o seu vendedor ou verifique a localização do agente de reparações Stanley autorizado no catálogo ou contacte com o seu escritório local nos endereços indicados neste manual. Uma lista de agentes autorizados de reparação Stanley e detalhes completos dos nossos serviços pós-venda estão disponíveis na internet em: www.stanleytools.com

Figure 1

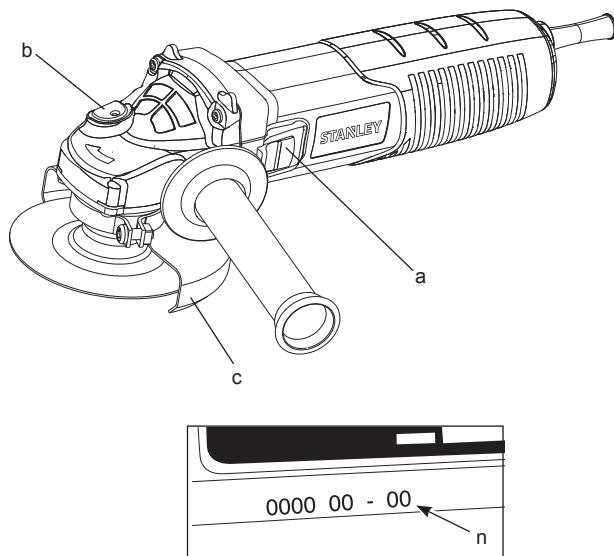


Figure 2

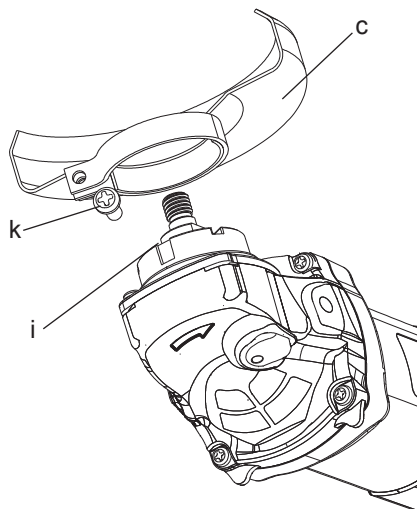


Figure 3

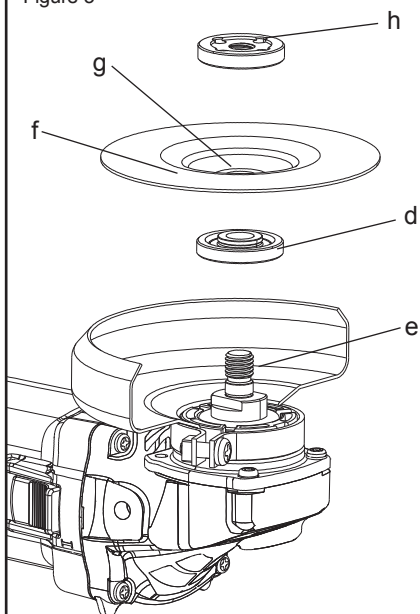


Figure 4

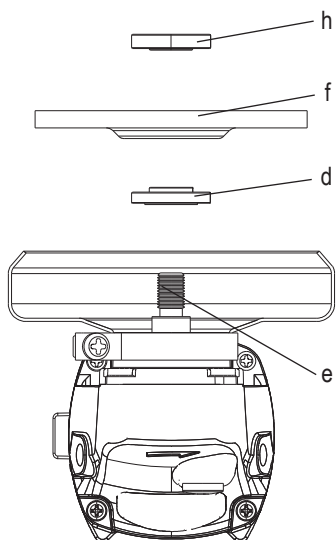


Figure 5

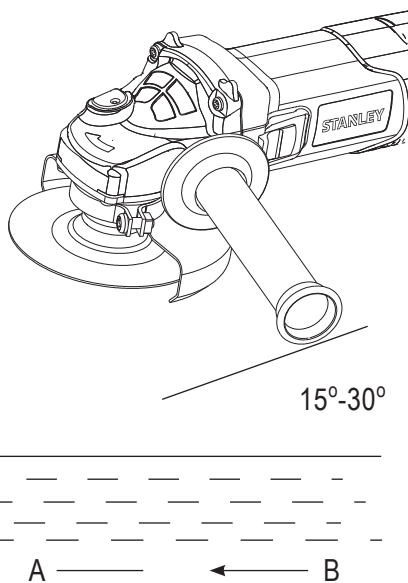
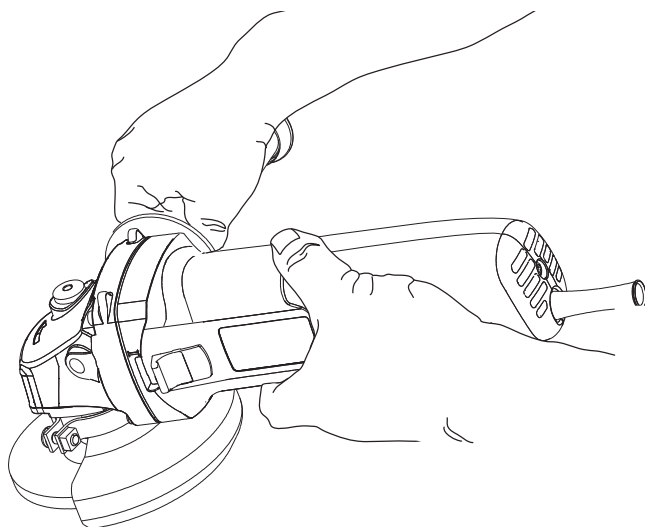


Figure 6



Технические характеристики

STGS9125		
Входная мощность	W	900
Напряжение	V	220-240
Частота	Hz	50/60
Скорость без нагрузки/ номинальная скорость	мин-1	11,000
Диаметр круга	мм	125
Толщина шлифовального круга	мм	6
Тип круга		27
Диаметр шпинделя		M14
Вес	кг	2.2

Определения: Правила техники безопасности

Приведенные ниже определения описывают уровень важности каждого сигнального слова. Пожалуйста, прочтите инструкцию и обратите внимание на эти символы.



Опасность: Указывает на потенциально опасную ситуацию, которая, если ее не избежать, приведет к смерти или серьезным травмам.



Предупреждение: Указывает на потенциально опасную ситуацию, которая, если ее не избежать, могла бы привести к смерти или серьезным травмам.



Предостережение: Указывает на потенциально опасную ситуацию, которая, если ее не избежать, может привести к легкой или средней травме.

Примечание: Указывает на ситуацию, не связанную с производственной травмой, которая, если ее не предотвратить, может привести к материальному ущербу.



Обозначает опасность поражения электрическим током.



Обозначает опасность возгорания.



Предупреждение: Чтобы уменьшить риск получения травмы, ознакомьтесь с инструкциями по эксплуатации.

Общие предупреждения по технике безопасности электроинструментов

Внимание! Ознакомьтесь со всеми правилами безопасности и инструкциями. Несоблюдение предупреждений и инструкций, указанных ниже, может привести к поражению электрическим током, пожару и/или серьезной травме.

Сохраните все предупреждения и инструкции для будущего использования.

Термин "электроинструмент" во всех предупреждениях, указанных ниже, относится к вашему сетевому (с кабелем) электроинструменту или аккумуляторному электроинструменту (без кабеля питания).

1. Безопасность рабочего места

- a. **Содержите рабочее место в чистоте и хорошо освещенным.** Беспорядок на рабочем месте или отсутствие освещения рабочего места может привести к аварии.
- b. **Не работайте с электроинструментом в месте хранения взрывоопасных материалов, например, в присутствии огнеопасных жидкостей, газов или пыли.** Электрические инструменты создают искры, которые могут воспламенить пыль или пары.
- c. **Дети и посторонние лица должны находиться как можно дальше во время работы с электроинструментом.** Вы можете отвлечься и потерять контроль.

2. Электробезопасность

- a. **Вилка электроинструмента должна соответствовать розетке. Никогда не модифицируйте вилку каким-либо образом. Не используйте никакие вилки-переходники с заземленными (замкнутыми на землю) электроинструментами.** Вилки и розетки, которые не подвергались никаким изменениям снижают риск поражения электрическим током.
- b. **Избегайте контакта тела с заземленными поверхностями, такими как трубы, радиаторы, плиты и холодильники.** Существует повышенный риск поражения электрическим током, если ваше тело заземлено.
- c. **Избегайте любого воздействия дождя или влаги на электроинструменты.** Вода, попавшая в электроинструмент, увеличивает риск поражения электрическим током.
- d. **Аккуратно обращайтесь со шнуром питания. Никогда не используйте шнур питания для переноски, перемещения или извлечения вилки из розетки. Держите шнур вдали от источников тепла, масла, острых краев или движущихся частей.** Поврежденные или запутанные шнуры увеличивают риск поражения электрическим током.

- e. При работе с электроинструментом на улице, используйте удлинитель, подходящий для наружного использования. Использование кабеля, пригодного для использования на открытом воздухе, снижает риск поражения электрическим током.
- f. При необходимости работы с электроинструментом во влажной среде, используйте устройство защитного отключения (УЗО). Использование УЗО снижает риск поражения электрическим током.
- ### 3. Личная безопасность
- a. Будьте внимательны, смотрите, что вы делаете, используйте здравый смысл при работе с электроинструментом. Не используйте электроинструмент, если вы устали или находитесь под влиянием наркотиков, алкоголя или лекарств. Малейшая неосторожность при работе с электроинструментом может привести к серьезным травмам.
- b. Используйте средства индивидуальной защиты. Всегда надевайте защитные очки. Другое защитное оборудование, включая респиратор, ботинки на нескользящей подошве, защитный шлем или средства защиты органов слуха, используемые в надлежащих условиях, уменьшают риск получения травмы.
- c. Для предотвращения случайного запуска, убедитесь, что переключатель находится в выключенном положении перед подключением к источнику питания и/или аккумуляторной батарее, поднятия или переноски инструмента. Не переносите электроинструмент с пальцем на выключателе и не включайте питание на инструмент с включенным выключателем, что может привести к несчастному случаю.
- d. Перед включением электроинструмента снимайте регулировочный или гаечный ключ. Гаечный или регулировочный ключ, оставленный на вращающейся части электроинструмента, может привести к травме.
- e. Не тянитесь. Сохраняйте правильную стойку и баланс все время. Это позволяет лучше контролировать инструмент в неожиданных ситуациях.
- f. Одевайтесь правильно. Не надевайте свободную одежду или украшения. Держите волосы, одежду и перчатки вдали от движущихся частей. Свободная одежда, украшения или длинные волосы могут попасть в движущиеся части.
- g. Если имеются устройства для подключения пылесборника или вытяжки, убедитесь в том, что они подсоединены и используются правильно. Использование пылесборника снижает вероятность возникновения рисков, связанных с пылью.
- ### 4. Использование и уход за электроинструментом
- a. Не перегружайте электроинструмент. Используйте подходящий электрический инструмент для соответствующего применения. Правильно подобранный электроинструмент позволит выполнить работу лучше и безопаснее при скорости, для которой он был разработан.
- b. Не используйте электроинструмент, если переключатель не может его включить и выключить. Любой электроинструмент, который нельзя контролировать с помощью переключателя, опасен и должен быть отремонтирован.
- c. Отключите кабель питания от источника питания и/или аккумуляторный блок от электрического инструмента перед выполнением любых регулировок, замены принадлежностей или при хранении электроинструмента. Такие профилактические меры безопасности уменьшают риск непреднамеренного запуска электрического инструмента.
- d. Храните неиспользуемые электроинструменты в недоступном для детей месте и не позволяйте лицам, не знакомым с электроинструментом или данными инструкциями, работать с электроинструментом. Электроинструменты опасны в руках неопытных пользователей.
- e. Поддержание электроинструмента. Проверяйте регулировку или соединение подвижных частей, поломки частей и любые другие условия, которые могут повлиять на работу электроинструмента. При наличии повреждения, отремонтируйте электроинструмент перед использованием. Многие несчастные случаи являются следствием плохого ухода за электроинструментом.

- f. Держите режущий инструмент острым и чистым. Хорошо ухоженный режущий инструмент с острыми режущими кромками легче контролировать.
- g. Используйте электроинструмент, аксессуары и насадки в соответствии с данными инструкциями, принимая внимание условия работы и те работы, которые должны быть выполнены. Использование электроинструмента для операций, отличающихся от тех, для которых он предназначен, может привести к опасной ситуации.
5. Обслуживание
- a. Обеспечьте, чтобы обслуживание и ремонт вашего электроинструмента проводился в авторизованном сервисном центре по ремонту с использованием только оригинальных запасных частей. Это станет гарантией безопасности электроинструмента.
- e. Наружный диаметр и толщина аксессуара должна быть в пределах номинальных мощностей вашего инструмента. Аксессуар неправильного размера не может быть адекватно защищен или контролироваться.
- f. La dimension de l'alésage central des disques, des flasques, du plateau porte-disques ou d'autres accessoires doit correspondre exactement à l'axe de l'outil. Les accessoires dont l'alésage central ne correspond pas au matériel de fixation de l'outil peuvent être difficiles à contrôler. Le niveau de vibrations peut augmenter et provoquer la perte du contrôle de l'outil.
- g. Не используйте поврежденные принадлежности. Перед каждым применением проверяйте вспомогательное оборудование - абразивный круг на наличие сколов и трещин, шлифовальный диск на наличие трещин, повреждения или чрезмерный износ, болтающиеся или поврежденные провода. Если электроинструмент или аксессуар упал, проверьте его на наличие повреждений или установите неповрежденный аксессуар. После проверки и установки аксессуара, встаньте вдали от плоскости вращения аксессуара и запустите электроинструмент на максимальной скорости без нагрузки в течение одной минуты. Поврежденные аксессуары, как правило, распадаются в течение этого времени испытаний.

Дополнительные указания по конкретным правилам безопасной работы

Правила техники безопасности для всех операций

- a. Данный электроинструмент предназначен для работы в качестве шлифовального станка. Ознакомьтесь со всеми мерами предосторожности, инструкциями, иллюстрациями и спецификациями, поставляемыми с инструментом. Несоблюдение всех инструкций, указанных ниже, может привести к поражению электрическим током, пожару и/или серьезной травме.
- b. Такие операции, как резание, пескоструйная очистка, чистка проволочной щеткой или полировка не рекомендуется выполнять с помощью этого электроинструмента. Операции, для которых электроинструмент не предназначен, могут создать опасность и причинить травму.
- c. Не используйте принадлежности, которые не были специально разработаны и рекомендованы изготовителем инструмента. Тот факт, что аксессуар может быть подключен к электроинструменту, не гарантируют безопасную работу.
- d. Номинальная частота вращения аксессуара должны быть по меньшей мере равна максимальной скорости, обозначенной на инструменте. Аксессуары работающие быстрее, чем их номинальная скорость, могут сломаться и разлететься.
- h. Наденьте средства индивидуальной защиты. В зависимости от применения, используйте защитную маску, или защитные очки. В случае необходимости, наденьте защитную маску, используйте средства для защиты слуха, перчатки и рабочий фартук, способные остановить мелкие абразивы или фрагменты деталей. Средства защиты глаз должны быть способны остановить летящий мусор во время различных операций. Маска или респиратор должны быть способны фильтровать частицы, образуемые во время вашей работы. Длительное воздействие шума высокой интенсивности может привести к потере слуха.
- i. Держите людей на безопасном расстоянии от места работы. Любой человек, входящий в рабочую зону, должен быть одет в средства индивидуальной защиты. Фрагменты деталей или разбитый аксессуар может улететь и причинить травму за пределами непосредственной близости от места работы.

- j. Во время работы держите электроинструмент только за изолированные части, во время работы режущий инструмент может задеть скрытую проводку или собственный кабель.** Режущий аксессуар при контакте с проводом под напряжением может стать причиной удара электрическим током.
- k. Расположите шнур вдали от вращающегося аксессуара.** Если вы теряете контроль, шнур может быть разрезан или зацеплен, и ваша рука или руки могут быть втянуты в вращающийся аксессуар.
- l. Никогда не кладите электроинструмент, пока аксессуар полностью не остановился.** Вращающийся инструмент может захватить поверхность, и электроинструмент выйдет из под вашего контроля.
- m. Не запускайте электроинструмент во время его переноски.** Случайный контакт с вращающимся аксессуаром может затянуть вашу одежду и поранить ваше тело.
- n. Регулярно очищайте вентиляционные прорези электроинструмента.** Вентилятор двигателя будет выдувать пыль внутри корпуса и предотвращать от чрезмерного накопления металлических порошков, которые могут вызвать поражение электрическим током.
- o. Не используйте электроинструмент вблизи легковоспламеняющихся материалов.** Искры могут воспламенить эти материалы.
- p. Не используйте аксессуары, которые требуют охлаждающих жидкостей.** Использование воды или других охлаждающих жидкостей может привести к поражению электротоком.

Дальнейшие инструкции по технике безопасности для всех операций

Отдача и связанные с ней предупреждения

Отдача является внезапной реакцией на защемление или зацепление вращающегося круга, шлифовального диска или любого другого аксессуара. Сжатие или зацепление вызывает быстрый срыв вращающегося аксессуара, который в свою очередь поворачивает неконтролируемый электроинструмент в направлении, противоположном направлению вращения аксессуара в точке привязки. Например, если абразивный круг зацепил или зажег заготовку, край круга, который попадает в точку защемления может вбуриваться в поверхность материала, в результате чего круг выбивается из защемления. Круг может выскочить либо к или от оператора, в зависимости от направления вращения круга в точке защемления. Абразивные круги

могут также ломаться в этих условиях. Отдача является результатом неправильного использования инструмента и/или неправильных действий оператора и условий, которых можно избежать путем принятия надлежащих мер предосторожности, как указано ниже:

- a. Крепко держите электроинструмент. Положение вашего тела и рук должно позволить вам противостоять воздействию отдачи. Всегда используйте вспомогательную рукоятку, если это предусмотрено, для максимального контроля над отдачей или реактивным крутящим моментом во время запуска.** Оператор может управлять реактивным крутящим моментом или отдачей, если приняты соответствующие меры предосторожности.
- b. Никогда не помещайте руки вблизи вращающегося аксессуара.** Аксессуар может дать отдачу по вашей руке.
- c. Не стойте там, где будет двигаться электроинструмент если произойдет случай отдачи.** Отдача будет двигать инструмент в направлении, противоположном движению кругов в точке зацепления.
- d. Используйте особую осторожность при обработке углов, острых кромок и т.д. Избегайте отскока и зацепления аксессуара.** Углы, острые края или отскоки, как правило, могут привести к потере управления над вращающимся аксессуаром или к отдаче.
- e. Не подключайте лезвие пильной цепи для резьбы по дереву или зубчатые пилы.** Такие лезвия создают частую отдачу и потерю контроля.

Предупреждения по технике безопасности, специфичные для операций шлифования

- a. Используйте только те типы кругов, которые рекомендованы для вашего электроинструмента и конкретного кожуха, предназначенного для выбранного круга.** Круги, не предназначенные для данного электроинструмента, использовать небезопасно.
- b. Кожух должен быть надежно прикреплен к электроинструменту и расположен с учетом максимальной безопасности, так, чтобы как можно меньшая часть круга была открыта для оператора.** Кожух помогает защитить оператора от сломанных фрагментов круга и случайного контакта с кругом, а также искр, которые могут воспламенить одежду.

- c. Круги должны быть использованы только для рекомендованных приложений. Например: не шлифовать боковой частью отрезного круга. Абразивные отрезные круги предназначены для периферийного шлифования, боковая сила, применяемая к этим кругам может привести к их разрушению.
- d. Всегда используйте неповрежденные круговые фланцы, которые имеют правильный размер и форму для выбранного круга. Собственные круговые фланцы поддерживают круг, таким образом, уменьшая возможность поломки круга. Фланцы для отрезных кругов могут отличаться от фланцев для шлифовальных кругов.
- e. Не используйте изношенные круги от более крупных электроинструментов. Круги предназначенные для электроинструмента большего размера не подходят для более высокой скорости меньшего инструмента и могут лопнуть.








Остаточные риски

Несмотря на соблюдение соответствующих правил техники безопасности и использование защитных устройств, некоторые остаточные риски невозможно избежать, а именно:

- Плохой слух
- Риск получения травмы от летящих частиц
- Риск получения ожогов из-за того, что аксессуары во время эксплуатации становятся горячими
- Риск получения травмы из-за длительного использования.
- Риск пыли от опасных веществ.

Этикетки на инструменте

Этикетка на вашем инструменте может включать следующие символы:

	Читайте инструкции по эксплуатации	Гц Герц	 Конструкция класса II
	Используйте средства защиты глаз	Вт Ватт	 Терминал заземления
	Используйте средства защиты органов слуха	мин..... минуты	 Символ предупреждения об опасности
		~ Переменный ток	 обороты или возвратное поступательное движение в минуту
		— Постоянный ток	...мин..	
V Вольт		п ₀ Скорость без нагрузки		
A Ампер				

Положение даты штрих-кода

Дата кода, который также включает год изготовления, печатается на корпусе.

Пример:

2014 XX JN
Год изготовления

Содержание упаковки

Данная упаковка включает в себя:

- 1 Угловую шлифовальную машину
- 1 Кожух
- 1 Набор фланцев
- 1 Гаечный ключ
- 1 Ручку
- 1 Руководство по эксплуатации

- Проверьте инструмент, запчасти и аксессуары, чтобы понять не были ли они повреждены во время транспортировки.
- Потратьте несколько минут, чтобы ознакомиться и понять данную инструкцию перед использованием инструмента.

Описание (рис. 1)



Предупреждение: Никогда не производите никаких модификаций электроинструмента или какой-либо его части, в противном случае это может привести к повреждению инструмента или травме.

- a) Переключатель ВКЛ./ВЫКЛ.
- b) Блокировка шпинделя
- c) Кожух

Цель дизайна

Данная угловая шлифовальная машина разработана специально для шлифования.

Не используйте инструмент с наждачной бумагой и шлифовальные круги кроме тех, которые имеют утопленный центр.

Не используйте инструмент во влажных условиях или условиях, где присутствуют легко воспламеняющиеся жидкости или газы.

Данная угловая шлифовальная машина для тяжелых условий эксплуатации является профессиональным электроинструментом.

Не допускайте детей к данному электроинструменту. Неопытные операторы обязаны использовать этот инструмент под наблюдением профессионалов.

Безопасность электротехнического оборудования

Для данного инструмента применяется только одно напряжение. Убедитесь, что электропитание соответствует напряжению, указанному на заводской табличке.



Ваш инструмент Stanley оснащен двойной изоляцией, следовательно, не требует заземления.

Если шнур питания поврежден, отправьте его в сервисный центр Stanley для замены специально подготовленных кабелей.

Использование удлинителей

Если требуется удлинитель, выберите 3-фазный удлинитель, который был проверен и соответствует входной мощности (см. Технические данные) этого инструмента. Минимальный размер проводника составляет 1,5 мм², максимальная длина составляет 30 метров.

При использовании кабельного барабана, убедитесь, что вы вытянули все кабели.

Монтаж и наладка



Предупреждение: Чтобы свести к минимуму опасность получения серьезной травмы, пожалуйста,

выключите питание инструмента и отсоедините все вилки перед регулировкой или снятием/установкой любого аксессуара. Перед сборкой инструмента нажмите и отпустите курковый выключатель, чтобы убедиться, что инструмент уже выключен.

Установка и снятие защитного кожуха (рис. 2)



Предупреждение: Чтобы свести к минимуму опасность получения серьезной травмы, пожалуйста,

выключите питание инструмента и отсоедините все вилки перед регулировкой или снятием/установкой любого аксессуара. Перед сборкой инструмента нажмите и отпустите курковый выключатель, чтобы убедиться, что инструмент уже выключен.

Установка кожуха

1. Установите угловую шлифовальную машину на рабочий стол пазом вверх.
2. Установите фланец воротника кожуха (с) через паз (i) корпуса зубчатой передачи.
3. Поверните кожух (с) против часовой стрелки на 150 градусов.
4. Убедитесь, что винты (к) затянуты.

Снятие кожуха

1. Ослабьте винты (к) на вороте кожуха.
2. Поднимите кожух (с).



Предупреждение: Не используйте инструмент, если защитный кожух не находится на месте.

Примечание: Ознакомьтесь со шлифовальными аксессуарами в конце этого раздела для аксессуаров, которые могут быть использованы вместе с данной угловой шлифовальной машиной.

Установка и снятие шлифовальных кругов (рис. 3, 4)



Предупреждение: Не используйте поврежденные шлифовальные круги.

1. Установите инструмент на рабочий стол пазом вверх.
2. Установите внутренний фланец (d) правильно на выходном валу (e) (рис. 3).
3. Установите шлифовальный круг (f) на внутренний фланец (d). При установке шлифовального круга с приподнятым центром, убедитесь, что приподнятый центр (g) смотрит на внутренний фланец (d).
4. Затяните внешний фланец (h) до выходного вала (e) (рис. 4). При установке шлифовального круга, кольцо поверх внешнего фланца (h) должно смотреть на круг.
5. Нажмите на блокировку шпинделя (b) и предотвратите шпиндель (e) от вращения пока он не зафиксируется в нужном месте.
6. Используйте гаечный ключ, чтобы затянуть внешний фланец (h).

Подготовка к использованию

- Прикрепите безопасный кожух и соответствующие абразивные или шлифовальные круги. Не используйте чрезмерно изношенные абразивные или шлифовальные круги.
- Убедитесь в том, что внутренние и внешние фланцы закреплены правильно.
- Убедитесь, что абразивные или шлифовальные круги вращаются в направлении стрелок, указанных на аксессуарах и инструменте.

Операция (рис. 5)

Инструкции



Предупреждение: Всегда соблюдайте инструкции по технике безопасности и другие правила.



Предупреждение: Чтобы свести к минимуму опасность получения серьезной травмы, пожалуйста, выключите питание инструмента и отсоедините все вилки перед регулировкой или снятием/установкой любого аксессуара. Перед сборкой инструмента нажмите и отпустите курковый выключатель, чтобы убедиться, что инструмент уже выключен.



Предупреждение:

- Убедитесь, что все шлифуемые материалы закреплены в правильном положении.
 - Немного надавите на инструмент. Не применяйте боковое надавливание на абразивный круг.
 - Избегайте перегрузки. Если инструмент нагревается, дайте ему повращаться в течение нескольких минут без нагрузки.
1. Убедитесь, что держите инструмент плотно обеими руками (одной рукой за корпус, другой за боковую ручку). Запустите инструмент и проведите шлифовальным кругом по заготовке.
 2. Держите край колеса под углом от 15 до 30 градусов по отношению к поверхности обрабатываемой детали.
 3. При использовании нового шлифовального круга,

круг не должен работать в направлении В, в противном случае, он может разрезать заготовку. Когда край круга был закруглен, вы можете использовать шлифовальный станок как в направлении А, так и в направлении В.

Запуск и остановка (рис. 1)



Предупреждение: Перед использованием инструмента, проверьте, чтобы ручка была надежно затянута. Убедитесь, что переключатель ВКЛ./ВЫКЛ. работает нормально.

Перед включением инструмента в источник питания, убедитесь в том, что переключатель находится в положении ВЫКЛ. (о) при нажатии на заднюю часть переключателя.

Для запуска инструмента, нажмите на заднюю часть выключателя и сдвиньте его вперед. Затем нажмите на переднюю часть выключателя, чтобы зафиксировать ее. Нажмите на заднюю часть переключателя, чтобы выключить инструмент.



Предупреждение: Не включайте и не выключайте инструмент, когда он находится под нагрузкой.

Правильное положение рук (рис. 6)



Предупреждение: Чтобы уменьшить риск получения серьезной травмы, **ва ВСЕГДА** используйте правильное положение рук, как показано на рисунке.



Предупреждение: Чтобы уменьшить риск получения серьезной травмы, **ВСЕГДА** крепко держите инструмент в ожидании возможной внезапной реакции.

Правильное положение рук во время работы требует, чтобы одна рука была на боковой рукоятке (рис 1), тогда как другая на корпусе инструмента, как показано на рисунке 6.

Выключатели



Предостережение: Крепко держите корпус инструмента, сохраняя контроль над инструментом при запуске и во время использования до тех пор, пока круг или другой аксессуар не перестает вращаться. Убедитесь, что круг полностью остановился, прежде чем положить инструмент.

Примечание: Для уменьшения неожиданного движения инструмента, не включайте и не выключайте инструмент пока он находится под нагрузкой. Дайте шлифовальной станку поработать на полную мощность, прежде чем прикоснуться им к рабочей поверхности. Поднимите инструмент от поверхности, прежде чем выключить его. Дайте инструменту остановиться прежде чем положить его.

Скользящий переключатель (рис. 1)

Предупреждение: Перед подключением инструмента к источнику питания, убедитесь, что ползунок переключателя находится в выключенном положении, нажав на заднюю часть переключателя и освободив его. Убедитесь, что скользящий переключатель находится в выключенном положении, как описано выше, после любого перерыва в подаче электропитания на инструмент, например, активации прерывателя замыкания на землю, автоматического выключения, случайного отключения или сбоя питания. Если положение переключателя заблокировано, когда подключено питание, инструмент может включиться неожиданно.

Для запуска инструмента сдвиньте скользящий переключатель (а) в направлении передней части инструмента. Для остановки инструмента, отпустите ползунок переключателя. Для непрерывной работы, переведите переключатель в сторону передней части инструмента и нажмите на переднюю часть выключателя внутрь. Для остановки инструмента при работе в непрерывном режиме, нажмите на заднюю часть скользящего переключателя и отпустите его.

Блокировка шпинделя (рис. 1)

Блокировка шпинделя (b) предотвращает выходной вал от вращения при установке или удалении шлифовального круга. Используйте только блокировку шпинделя, когда инструмент выключен, питание отключено, и круг полностью остановлен.



Примечание: Для уменьшения повреждений инструмента, не используйте блокировку шпинделя, когда инструмент работает. В противном случае, это может привести к повреждению инструмента. Прилагаемые аксессуары могут оторваться и нанести травму.

При использовании блокировки шпинделя, нажмите кнопку блокировки шпинделя и прокрутите выходной вал до упора.

Применение по металлам

При применении инструмента на металлах, убедитесь, что устройство защитного отключения (УЗО) настроено для предотвращения опасности повреждения металлической стружкой.

Если УЗО вызывает отключение питания, отправьте инструмент для проверки и ремонта в авторизованный центр Stanley.



Предупреждение: При экстремальных условиях работы, токопроводящая пыль и песок могут накапливаться внутри корпуса при работе с металлическими деталями. Это может создать опасность поражения электрическим током, так как ослабляет защитную изоляцию шлифовального станка.

Чтобы избежать накопления металлической стружки внутри корпуса шлифовального станка, мы рекомендуем ежедневно очищать вентиляционные каналы. Ознакомьтесь с руководством по техническому обслуживанию.

Использование шлифовальных кругов



Предупреждение: Металлический порошок накапливается. Чрезмерное использование шлифовального круга по металлу может увеличить риск поражения электрическим током. Чтобы уменьшить риск, вставьте УЗО перед использованием и очищайте вентиляционные каналы ежедневно. Следуйте инструкциям по техническому обслуживанию для чистки вентиляционных каналов сухим сжатым воздухом.

Обслуживание

Электроинструменты Stanley были разработаны для работы в течение длительного периода времени с минимальным обслуживанием. Срок службы и надежность обеспечиваются правильным уходом и регулярной чисткой.



Предупреждение: Чтобы свести к минимуму опасность получения серьезной травмы, пожалуйста, выключите питание инструмента и отсоедините все пробки перед регулировкой или снятием/установкой любого аксессуара. Перед сборкой инструмента нажмите и отпустите курковый выключатель, чтобы убедиться, что инструмент уже выключен.



Смазка

Этот электроинструмент не требует отдельной смазки.



Чистка



Предупреждение: Если вы можете видеть осевшую пыль на вентиляционных каналах и внутри корпуса, сразу же используйте сухой воздух, чтобы сдуть пыль и песок из внутренней части корпуса. Используйте средства защиты глаз и лица при выполнении этого процесса.

Предупреждение: Никогда не используйте растворители или агрессивные химические средства для очистки неметаллических частей. Используйте только мягкое мыло и влажную ткань, чтобы очистить инструмент. Никогда не допускайте попадания жидкости внутрь инструмента и никогда не погружайте любую часть инструмента в жидкость.

Аксессуары



Предупреждение: За исключением аксессуаров, поставляемых Stanley, все другие аксессуары не были проверены на совместимость с продуктом. Использование таких аксессуаров с данным инструментом может привести к опасной ситуации. Чтобы свести к минимуму риск получения травмы, мы рекомендуем использовать только аксессуары Stanley с этим продуктом.

Пожалуйста, получите дополнительную информацию о подходящих аксессуарах у своего дилера.

Защита окружающей среды



Раздельный сбор и утилизация. Этот продукт не следует утилизировать вместе с бытовым мусором.

Если вы поймете, что ваш продукт Stanley нуждается в замене, или если он не имеет никакого дальнейшего применения для вас, не выбрасывайте его вместе с бытовыми отходами. Предоставьте этот продукт для раздельного сбора/утилизации.



Раздельный сбор продуктов и упаковок позволяет осуществить их переработку и использовать их повторно. Повторное использование переработанных материалов помогает защищать окружающую среду от загрязнения и снижает расход сырьевых материалов.

Местное законодательство может обеспечить сбор старых электроинструментов отдельно от бытового мусора на муниципальных свалках отходов или в торговом предприятии при покупке нового изделия. Stanley обеспечивает возможность для сбора и утилизации продуктов Stanley, как только они достигли конца своего срока службы. Для того чтобы воспользоваться этой услугой, вы можете сдать ваше изделие в любой авторизованный сервисный центр, который собирает их по нашему поручению.

Вы можете узнать место нахождения вашего ближайшего авторизованного сервисного центра, обратившись в местное отделение Stanley по адресу, указанному в данном руководстве. Кроме того, список авторизованных ремонтных агентов Stanley и полную информацию о нашем послепродажном обслуживании и контактах вы можете найти в Интернете: www.2helpU.com10

Полная гарантия сроком на два года

Если ваш продукт STANLEY выходит из строя из-за дефектных материалов или изготовления в течение 24 месяцев с даты покупки, STANLEY Europe гарантирует замену всех неисправных деталей бесплатно или - по своему усмотрению - замену продукта бесплатно при условии, что:

- Продукт использовался правильно, его эксплуатация проводилась строго в соответствии с инструкцией по эксплуатации.
- Продукт подвергался естественному износу;
- Ремонт не проводился посторонними лицами;
- Представлены документы, подтверждающие покупку.
- Продукт STANLEY возвращается в полном комплекте со всеми оригинальными компонентами

Если вы хотите сделать заявку, свяжитесь с продавцом или узнайте место нахождения вашего ближайшего авторизованного сервисного агента Stanley в каталоге Stanley или обратитесь в местное представительство Stanley по адресу, указанному в данном руководстве. Список авторизованных сервисных агентов Stanley и полную информацию о нашем послепродажном обслуживании можно найти в Интернете по адресу: www.stanleytools.com

STANLEY

Гарантийные условия

Уважаемый покупатель!

1. Поздравляем Вас с покупкой высококачественного изделия STANLEY и выражаем признательность за Ваш выбор.
2. При покупке изделия требуйте проверки его комплектности и исправности в Вашем присутствии, инструкцию по эксплуатации и заполненный гарантийный талон на русском языке.

В гарантийном талоне должны быть внесены: модель, дата продажи, серийный номер, дата производства инструмента; название, печать и подпись торговой организации. При отсутствии у Вас правильно заполненного гарантийного талона, а также несоответствия указанных в нем данных мы будем вынуждены отклонить Ваши претензии по качеству данного изделия.

3. Во избежание недоразумений убедительно просим Вас перед началом работы с изделием внимательно ознакомиться с инструкцией по его эксплуатации. Правовой основой настоящих гарантийных условий является действующее Законодательство. Гарантийный срок на данное изделие составляет 24 месяца и исчисляется со дня продажи. В случае устранения недостатков изделия, гарантийный срок продлевается на период его нахождения в ремонте. Срок службы изделия составляет 5 лет со дня продажи.
4. В случае возникновения каких-либо проблем в процессе эксплуатации изделия рекомендуем Вам обращаться только в уполномоченные сервисные центры STANLEY, адреса и телефоны которых Вы сможете найти в гарантийном талоне, на сайте www.2helpU.com или узнать в магазине. Наши сервисные станции - это не только квалифицированный ремонт, но и широкий ассортимент запчастей и принадлежностей.
5. Производитель рекомендует проводить периодическую проверку и техническое обслуживание изделия в уполномоченных сервисных центрах.



Изготовитель

Блэк энд Деккер Холдингс ГмБХ
Германия, 65510, Идштайн,
ул. Блэк энд Деккер, 40

6. Наши гарантийные обязательства распространяются только на неисправности, выявленные в течение гарантийного срока и вызванные дефектами производства и/или материалов.
7. **Гарантийные условия не распространяются на неисправности изделия, возникшие в результате:**
 - 7.1. Несоблюдения пользователем предписаний инструкции по эксплуатации изделия, применения изделия не по назначению, неправильному хранении, использования принадлежностей, расходных материалов и запчастей, не предусмотренных производителем.
 - 7.2. Механического повреждения (сколы, трещины и разрушения) внутренних и внешних деталей изделия, основных и вспомогательных рукояток, сетевого электрического кабеля, вызванного внешним ударным или любым иным воздействием
 - 7.3. Попадания в вентиляционные отверстия и проникновение внутрь изделия посторонних предметов, материалов или веществ, не являющихся отходами, сопровождающими применение изделия по назначению, такими как: стружка, опилки, песок, и пр.
 - 7.4. Воздействий на изделие неблагоприятных атмосферных и иных внешних факторов, таких как дождь, снег, повышенная влажность, нагрев, агрессивные среды, несоответствие параметров питающей электросети, указанных на инструменте.
 - 7.5. Стихийного бедствия. Повреждение или утрата изделия, связанное с непредвиденными бедствиями, стихийными явлениями, в том числе вследствие действия непреодолимой силы (пожар, молния, потоп и другие природные явления), а так же вследствие перепадов напряжения в электросети и другими причинами, которые находятся вне контроля производителя.
8. **Гарантийные условия не распространяются:**
 - 8.1. На инструменты, подвергавшиеся вскрытию, ремонту или модификации вне уполномоченного сервисного центра.
 - 8.2. На детали и узлы, имеющие следы естественного износа, такие как: приводные ремни и колеса, угольные щетки, смазка, подшипники, зубчатое зацепление редукторов, резиновые уплотнения, сальники, направляющие ролики, муфты, выключатели, бойки, толкатели, стволы, и т.п.
 - 8.3. На сменные части: патроны, цанги, зажимные гайки и фланцы, фильтры, аккумуляторные батареи, ножи, шлифовальные подошвы, цепи, звездочки, пильные шины, защитные кожухи, пилки, абразивы, пильные и абразивные диски, фрезы, сверла, буры и т.п.
 - 8.4. На неисправности, возникшие в результате перегрузки инструмента (как механической, так и электрической), повлекшей выход из строя одновременно двух и более деталей и узлов, таких как: ротора и статора, обеих обмоток статора, ведомой и ведущей шестерни редуктора или других узлов и деталей. К безусловным признакам перегрузки изделия относятся, помимо прочего: появление цветов побежалости, деформация или оплавление деталей и узлов изделия, потемнение или облупливание изоляции проводов электродвигателя под воздействием высокой температуры.

Figure 1

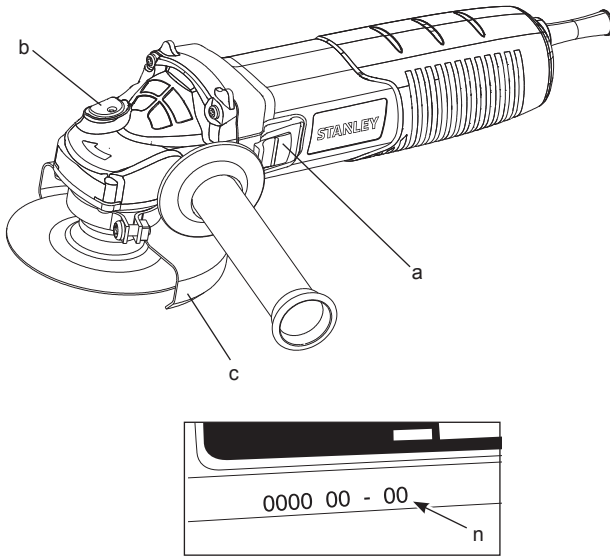


Figure 2

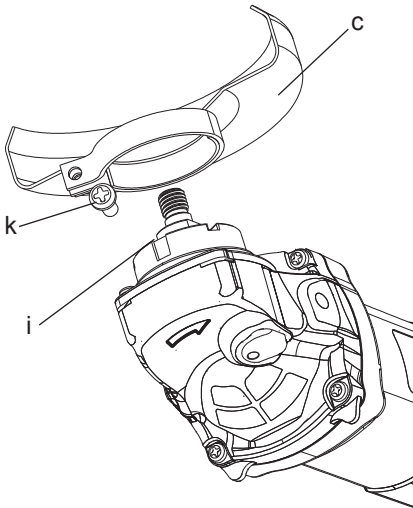


Figure 3

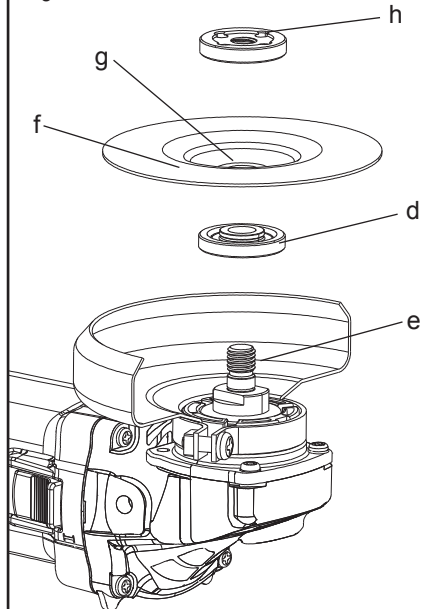


Figure 4

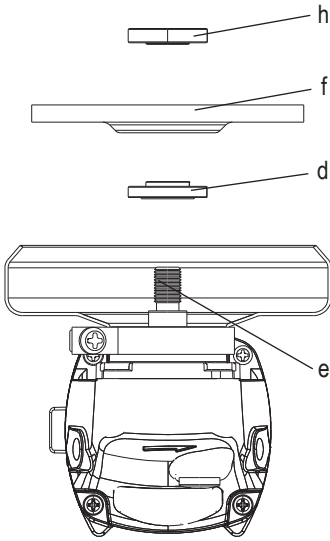


Figure 5

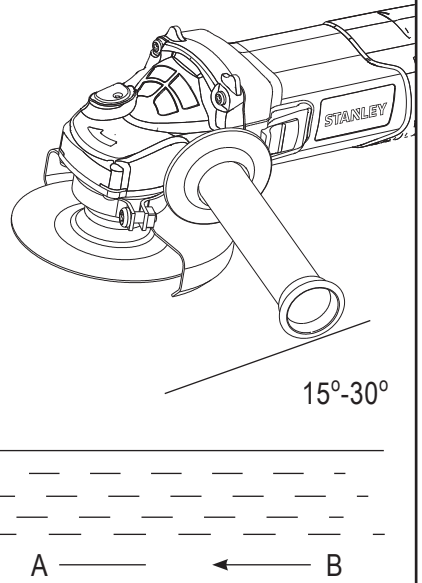
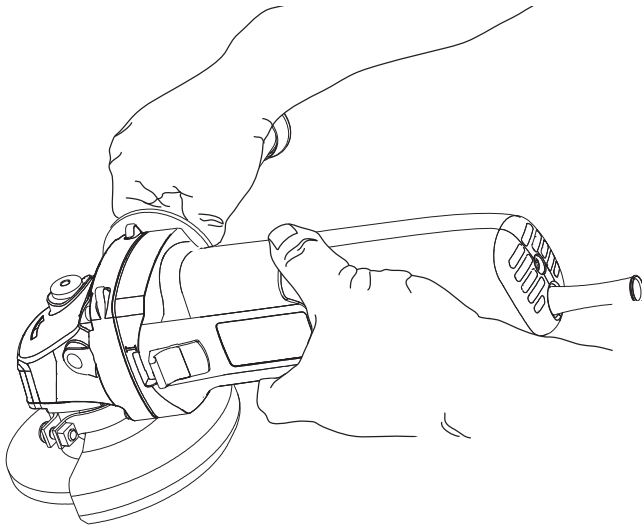


Figure 6



Технічні характеристики

		STGS9125
Вхідна потужність	W	900
Напруга	V	220-240
Частота	Hz	50/60
Швидкість без навантаження/ номінальна швидкість	мин-1	11,000
Діаметр круга	мм	125
Товщина шліфувального круга	мм	6
Тип круга		27
Діаметр шпинделя		M14
Вага	кг	2.2

Визначення: Правила техніки безпеки

Наведені нижче визначення описують рівень важливості кожного сигнального слова. Будь ласка, прочитайте інструкцію і зверніть увагу на ці символи.



Danger: Небезпека: Вказує на потенційно небезпечну ситуацію, яка, якщо її не уникнути, призведе до смерті **або серйозних травм**.



Warning: Попередження: Вказує на потенційно небезпечну ситуацію, яка, якщо її не уникнути, могла б призвести до смерті або серйозних травм.



Застереження: Вказує на потенційно небезпечну ситуацію, яка, якщо її не уникнути, може призвести до легкої або середньої травми.

Примітка: Вказує на ситуацію, не пов'язану з виробничою травмою, яка, якщо її не запобігти, може призвести до матеріального збитку.



Позначає небезпеку ураження електричним струмом.



Позначає небезпеку загоряння.



Попередження: Щоб зменшити ризик отримання травми, ознайомтеся з інструкціями з експлуатації.

Загальні попередження з техніки безпеки електроінструментів



Увага! Ознайомтеся з усіма правилами безпеки та інструкціями. Недотримання попереджень та інструкцій, зазначених нижче, може призвести до ураження електричним струмом, пожежі та/або серйозної травми.

Збережіть всі попередження та інструкції для майбутнього використання.

Термін "електроінструмент" у всіх попередженнях, зазначених нижче, відноситься до мережевого (з кабелем) електроінструменту або акумуляторної батареї (без кабелю живлення).

1. Безпека робочого місця

- Утримує робоче місце в чистоті і добре освітленим.** Безплад на робочому місці або відсутність освітлення робочого місця може призвести до аварії.
- Не працюйте з електроінструментом в місці зберігання вибухонебезпечних матеріалів, наприклад, у присутності легкозаймистих рідин, газів або пилу.** Електричні інструменти створюють іскри, що можуть запалити пил або пари.
- Діти і сторонні особи повинні знаходитися якнайдалі під час роботи з електроприладами.** Ви можете відволіктися і втратити контроль.

2. Електробезпека

- Вилка електроінструмента повинна відповідати розетці. Ніколи не змінюйте вилку будь-яким чином. Не використовуйте ніякі вилки-перехідники з заземленими (замкнутими на землю) електроінструментами.** Вилки і розетки, які не піддавалися ніяким змінам знижують ризик ураження електричним струмом.
- Уникайте контакту тіла з заземленими поверхнями, такими як труби, радіатори, плити та холодильники.** Існує підвищений ризик ураження електричним струмом, якщо ваше тіло заземлене.
- Уникайте будь-якого впливу дощу або вологи на електроінструменти.** Вода, що потрапила в електроінструмент, збільшує ризик ураження електричним струмом.
- Обережно поводьтеся зі шнуром живлення. Ніколи не використовуйте шнур живлення для перенесення, переміщення або вилучення вилки з розетки. Тримайте шнур подалі від джерел тепла, масла, гострих країв або рухомих частин.** Пошкоджені або заплутані шнури збільшують ризик ураження електричним струмом.
- При роботі з електроінструментом на вулиці, використовуйте подовжувач, відповідний для зовнішнього використання.** Використання кабелю, придатного для використання на відкритому повітрі, знижує ризик ураження електричним струмом.
- При необхідності роботи з електроінструментом у вологому середовищі, використовуйте пристрій захисного відключення (ПЗВ).** Використання ПЗВ знижує ризик ураження електричним струмом.

3. Особиста безпека

- a. **Будьте уважні, дивіться, що ви робите, використовуйте здоровий глузд при роботі з електроприладами. Не використовуйте електроінструмент, якщо ви втомилися або перебуваєте під впливом наркотиків, алкоголю або ліків. Найменша необережність при роботі з електроінструментом може призвести до серйозних травм.**
 - b. **Використовуйте засоби індивідуального захисту. Завжди надягайте захисні окуляри. Інше захисне обладнання, включаючи респіратор, черевики на нековзній підшві, захисний шолом або засоби захисту органів слуху, використовувати в належних умовах, зменшать ризик отримання травми.**
 - c. **Для запобігання випадкового запуску, переконайтеся, що перемикач знаходиться у вимкненому положенні перед підключенням до джерела живлення та/або акумуляторної батареї, підняття або перенесення інструменту. Не переносьте електроінструмент з пальцем на вимикачі і не включайте електроживлення на інструмент з увімкненим вимикачем, що може призвести до нещасного випадку.**
 - d. **Перед включенням електроінструменту знімайте регульовальний або гайковий ключ. Гайковий або регульовальний ключ, залишений на обертівій частині електроінструменту, може призвести до травми.**
 - e. **Не тягніться. Зберігайте правильну стійку і баланс весь час. Це дозволяє краще контролювати інструмент в несподіваних ситуаціях.**
 - f. **Одягайтеся правильно. Не надягайте вільний одяг або прикраси. Тримайте волосся, одяг і рукавички далеко від рухомих частин. Вільний одяг, прикраси або довге волосся можуть потрапити в рухомих частини.**
 - g. **Якщо є пристрої для підключення пілозбірника або витяжки, переконайтеся в тому, що вони під'єднані і використовуються правильно. Використання пілозбірника знижує ймовірність виникнення ризиків, пов'язаних з пилом.**
- ### 4. Використання та догляд за електроінструментом
- a. **Не перевантажуйте електроінструмент. Використовуйте відповідний електричний інструмент для відповідного застосування.**

Правильно підібраний електроінструмент дозволить виконати роботу краще і безпечніше при швидкості, для якої він був розроблений.

- b. **Не використовуйте електроінструмент, якщо перемикач не може його включити і вимкнути.** Будь-який електроінструмент, який не можна контролювати за допомогою перемикача, є небезпечний і повинен бути відремонтований.
 - c. **Від'єднайте кабель живлення від джерела живлення та/або акумулятора від електричного інструменту перед виконанням будь-яких регулювань, заміни приладдя або при зберіганні електроінструменту.** Такі профілактичні заходи безпеки зменшують ризик ненавмисного запуску електричного інструменту.
 - d. **Зберігайте електроприлади в недоступному для дітей місці і не дозволяйте особам, які не знайомі з електричним інструментом або даними інструкціями, працювати з електроприладами.** Електроінструменти небезпечні в руках недосвідчених користувачів.
 - e. **Підтримання електроінструменту. Перевіряйте разрегульованість або з'єднання рухомих частин, полочки частин і будь-які інші умови, які можуть вплинути на роботу електроінструменту. При наявності пошкодження, відремонтуйте електроінструмент перед використанням.** Багато нещасних випадків є наслідком поганого догляду за електроінструментом.
 - f. **Тримайте ріжучий інструмент гострим і чистим.** Добре доглянутий ріжучий інструмент з гострими ріжучими крайками легше контролювати.
 - g. **Використовуйте електроінструмент, аксесуари та насадки відповідно до цих вказівок, приймаючи до уваги умови роботи і ті роботи, які повинні бути виконані.** Використання електроінструменту для операцій, які відрізняються від тих, для яких він призначений, може призвести до небезпечної ситуації.
- ### 5. Обслуговування
- a. **Забезпечте, щоб обслуговування і ремонт вашого електроінструменту проводився в авторизованому сервісному центрі по ремонту з використанням тільки оригінальних запасних частин.** Це стане гарантією безпеки електроінструменту.

Додаткові конкретні правила техніки безпеки

Правила техніки безпеки для всіх операцій

- a. Даний електроінструмент призначений для роботи в якості шліфувального верстата. Ознайомтеся з усіма запобіжними заходами, інструкціями, ілюстраціями і специфікаціями, що поставляються з інструментом. Недотримання всіх інструкцій, зазначених нижче, може призвести до ураження електричним струмом, пожежі та/або серйозної травми.
- b. Такі операції, як різання, піскострумине очищення, чищення дротяною щіткою або полірування не рекомендується виконувати за допомогою цього електроінструменту. Операції, для яких електроінструмент не призначений, можуть створити небезпеку і заподіяти травму.
- c. Не використовуйте прилади, що не були спеціально розроблені і рекомендовані виробником інструменту. Той факт, що аксесуар може бути підключений до електроінструменту, не гарантує безпечну роботу.
- d. Номінальна частота обертання аксесуара повинна щонайменше дорівнюватися максимальній швидкості, позначеної на інструменті. Аксесуари які працюють швидше, ніж їх номінальна швидкість, можуть зламатися і розлетітися.
- e. Зовнішній діаметр і товщина аксесуара повинна бути в межах номінальних потужностей вашого інструменту. Аксесуар неправильного розміру не може бути адекватно захищений або контролюваний.
- f. Розмір осі круга, фланців, бек прокладок або іншого аксесуара повинен відповідати належним чином шпінделю електроінструменту. Аксесуари з отворами для шпінделя, які не відповідають монтажному обладнанню електроінструменту, можуть втрачати рівновагу, надмірно вібрувати і привести до втрати управління.
- g. Не використовуйте пошкоджені приналежності. Перед кожним застосуванням перевіряйте допоміжне обладнання - абразивний круг на наявність сколів і тріщин, шліфувальний диск на наявність тріщин, пошкодження або надмірний знос, проводи, що бовтаються або пошкоджені. Якщо електроінструмент або аксесуар впав, перевірте його на наявність пошкоджень або встановіть неушкоджений аксесуар. Після перевірки і установки аксесуара, встаньте далеко від площини обертання аксесуара і запустіть електроінструмент на максимальній швидкості без навантаження протягом однієї хвилини. Пошкоджені аксесуари, як правило, розпадаються протягом цього часу випробувань.
- h. Надіньте засоби індивідуального захисту. Залежно від застосування, використовуйте захисну маску, або захисні окуляри. У разі необхідності, надіньте захисну маску, використовуйте засоби для захисту слуху, рукавички і робочий фартух, здатні зупинити дрібні абразиви або фрагменти деталей. Засоби захисту очей повинні бути здатні зупинити літаюче сміття під час різних операцій. Маска або респіратор повинні бути здатні фільтрувати частки, утворені під час вашої роботи. Тривала дія шуму високої інтенсивності може призвести до втрати слуху.
- i. Тримайте людей на безпечній відстані від місця роботи. Будь-яка людина, що входить в робочу зону, повинна бути одягнена у засоби індивідуального захисту. Фрагменти деталей або розбитий аксесуар може полетіти і заподіяти травму за межами безпосередньої близькості від місця роботи.
- j. Під час роботи тримайте електроінструмент тільки за ізольовані частини, під час роботи ріжучий інструмент може зачепити приховану проводку або власний кабель. Ріжучий аксесуар при контакті з проводом під напругою може стати причиною удару електричним струмом.
- k. Розташуйте шнур подалі від обертового аксесуара. Якщо ви втрачаєте контроль, шнур може бути розрізаний або зачеплений, і ваша рука або руки можуть бути втягнуті в обертовий аксесуар.
- l. Ніколи не кладіть електроінструмент, поки аксесуар повністю не зупинився. Обертовий інструмент може захопити поверхню, і електроінструмент виїде з під вашого контролю.
- m. Не запускайте електроінструмент під час його перенесення. Випадковий контакт з обертовим аксесуаром може затягнути ваш одяг і поранити ваше тіло.
- n. Регулярно очищайте вентиляційні прорізи електроінструменту. Вентилятор двигуна буде вивувати пил з середини корпусу і запобігати надмірному накопиченню металевих порошоків, які можуть викликати ураження електричним струмом.

- p. **Не використовуйте електроінструмент поблизу легкозаймистих матеріалів.** Іскри можуть запалити ці матеріали.
- o. **Не використовуйте аксесуари, які вимагають охолоджуючих рідин.** Використання води або інших охолоджуючих рідин може призвести до ураження електрострумом.
- p. **Не використовуйте круги типу 11 для цього інструменту.** Використання невідповідних пристосувань може призвести до травм.

Подальші інструкції з техніки безпеки для всіх операцій

Віддача і пов'язані з нею попередження

Віддача є раптовою реакцією на защемлення або зачеплення обертового кола, шліфувального диска або будь-якого іншого аксесуара. Стиснення або зачеплення викликає швидкий зрив обертового аксесуара, який в свою чергу повертає неконтрольований електроінструмент в напрямку, протилежному напрямку обертання аксесуара в точці прив'язки.

Наприклад, якщо абразивний круг зачепив або заццепив заготовлю, край кола, який потрапляє в точку защемлення може вбуриватися в поверхню матеріалу, в результаті чого круг вибирається з защемлення. Круг може вискочити у напрямку до або від оператора, в залежності від напрямку обертання круга в точці защемлення. Абразивні круги можуть також ламатися в цих умовах.

Віддача є результатом неправильного використання інструменту та/або неправильних дій оператора і умов, яких можна уникнути шляхом вжиття належних заходів обережності, як зазначено нижче:

- a. **Міцно тримайте електроінструмент.** Положення вашого тіла і рук повинно дозволити вам протистояти впливу віддачі. Завжди використовуйте допоміжну рукоятку, якщо це передбачено, для максимального контролю над віддачею або реактивним крутним моментом під час запуску. Оператор може керувати реактивним крутним моментом або віддачею, якщо прийняті відповідні запобіжні заходи.
- b. **Ніколи не кладіть руки поблизу обертового аксесуара.** Аксесуар може дати віддачу по вашій руці.
- c. **Не стійте там, де буде рухатися електроінструмент якщо відбудеться випадок віддачі.** Віддача буде рухати інструмент в напрямку, протилежному руху кругів в точці зачеплення.
- d. **Використовуйте особливу обережність при обробці кутів, гострих кромки і т.д. Уникайте відскоку і зачеплення аксесуара.** Кути, гострі краї або відскоки, як правило, можуть призвести до втрати управління над обертовим аксесуаром або до віддачі.
- e. **Не приєднуйте лезо пиляльного ланцюга для різьблення по дереву або зубчасті пилки.** Такі леза створюють часту віддачу і втрату контролю.

Попередження з техніки безпеки, специфічні для операцій шліфування

- a) **Використовуйте тільки ті типи кругів, які рекомендовані для вашого електроінструменту і конкретного кожуха, призначеного для обраного круга.** Круги, не призначені для даного електроінструменту, використовувати небезпечно.
- b) **Кожух повинен бути надійно прикріплений до електроінструменту і розташований з урахуванням максимальної безпеки, так, щоб якомога менша частина круга була відкрита для оператора.** Кожух допомагає захистити оператора від зламаних фрагментів круга і випадкового контакту з ним, а також іскор, які можуть запалити одяг.
- c) **Круги мають бути використані лише для рекомендованих застосувань. Наприклад: не шліфувати бічною частиною відрізного круга.** Бічна сила, вживана до абразивних відрізних кругів, призначених для периферійного шліфування, може призвести до їх руйнування.
- d) **Завжди використовуйте неушкоджені кругові фланці, які мають правильний розмір і форму для обраного круга.** Власні кругові фланці підтримують круг, таким чином, зменшуючи можливість його поломки. Фланці для відрізних кругів можуть відрізнятися від фланців для шліфувальних кругів.
- e) **Не використовуйте зношені круги від більш великих електроінструментів.** Круги призначені для електроінструменту більшого розміру не личать для вищої швидкості меншого інструменту і можуть лопнути.

Залишкові ризики

Незважаючи на дотримання відповідних правил техніки безпеки та використання захисних пристроїв, деяких залишкових ризиків неможливо уникнути, а саме:

- Поганий слух
- Ризик здобуття травми від часток, що летять
- Ризик отримання опіків через те, що аксесуари під час експлуатації стають гарячими
- Ризик отримання травми через тривале використання.
- Ризик пилу від небезпечних речовин.

Етикетки на інструменті

Етикетки на вашому інструменті можуть включати такі символи:

	Читайте інструкції з експлуатації	Гц Герц		Конструкція класу II
	Використовуйте засоби захисту очей	Вт Ватт		Термінал заземлення
	Використовуйте засоби захисту органів слуху	мин хвилини		Символ попередження про небезпеку
			Змінний струм	обороти або зворотно-поступальний рух в хвилину
			Постійний струм	
V Вольт		хв..		
A Ампер	n ₀ Швидкість без навантаження			

Положення дати штрих-коду

Дата коду, який також включає рік виготовлення, друкується на корпусі.

Приклад:

2014 XX JN
Рік виготовлення

Зміст упаковки

Дана упаковка включає:

- 1 Кутову шліфувальну машину
 - 1 Кожух
 - 1 Набір фланців
 - 1 Гайковий ключ
 - 1 Ручку
 - 1 Посібник користувача
- Перевірте інструмент, запчастини та аксесуари, щоб зрозуміти чи не були вони пошкоджені під час транспортування.

- Витратьте кілька хвилин, щоб ознайомитися і зрозуміти цю інструкцію перед використанням інструменту.

Опис (мал. 1)



Попередження: Ніколи не робіть жодних модифікацій електроінструменту або який-небудь його частини, інакше це може привести до пошкодження інструменту або травми.

- a. Перемикач ВКЛ. / ВИКЛ.
- b. Блокування шпіндела
- c. Кожух

Мета дизайну

Дана кутова шліфувальна машина розроблена спеціально для шліфування.

Не використовуйте круги з наждачним папером і шліфувальні круги крім тих, які мають втопленний центр.

Не використовуйте інструмент у вологих умовах або умовах, де присутні легкозаймисті рідини або гази.

Дана кутова шліфувальна машина для важких умов експлуатації є професійним електроінструментом.

Не допускайте дітей до даного електроінструменту. Недосвідчені оператори зобов'язані використовувати цей інструмент під наглядом професіоналів.

Безпека електротехнічного обладнання

Для даного інструменту застосовується тільки одна напруга. Переконайтеся, що живлення відповідає напрузі, вказаній на табличці.



Ваш інструмент Stanley оснащений подвійною ізоляцією, отже, не вимагає заземлення.

Якщо шнур живлення пошкоджений, відправте його в сервісний центр Stanley для заміни спеціально підготовлених кабелів.

Використання подовжувачів

Якщо потрібний подовжувач, виберіть 3-фазний подовжувач, який був перевірений і відповідає вхідній потужності (див. Технічні дані) цього інструменту. Мінімальний розмір провідника складає 1,5 мм², максимальна довжина складає 30 метрів.

При використанні кабельного барабана, переконайтеся, що ви витягнули всі кабелі.

Монтаж і налагодження



Попередження: Щоб звести до мінімуму небезпеку отримання серйозної травми, будь ласка, вимкніть живлення

інструменту і відключіть усі вилки перед регулюванням або зняттям/установкою будь-якого аксесуара. Перед складанням інструменту натисніть і відпустіть курок вимикача, щоб переконатися, що інструмент вже вимкнений.

Установка і зняття захисного кожуха (мал. 2)

Попередження: Щоб звести до мінімуму небезпеку отримання серйозної травми, будь ласка, вимкніть живлення інструменту і відключіть усі вилки перед регулюванням або зняттям/установкою будь-якого аксесуара. Перед складанням інструменту натисніть і відпустіть курок вимикача, щоб переконатися, що інструмент вже вимкнений.

Установка кожуха

1. Встановіть кутову шліфувальну машину на робочий стіл пазом вгору.
2. Встановіть фланець коміра кожуха (с) через паз (і) корпусу зубчастої передачі.
3. Поверніть кожух (с) проти годинникової стрілки на 150 градусів.
4. Переконайтеся, що гвинти (к) затягнуті.

Зняття кожуха

1. Відкрутіть гвинти (к) на комірі кожуха.
2. Підніміть кожух (с).



Попередження: Не використовуйте інструмент, якщо захисний кожух не перебуває на місці.

Примітка: Ознайомтеся з шліфувальними аксесуарами в кінці цього розділу для аксесуарів, які можуть бути використані разом з цією кутовою шліфувальною машиною.

Установка і зняття шліфувальних кругів (мал. 3, 4)



Попередження: Не використовуйте пошкоджені шліфувальні круги.

1. Встановіть інструмент на робочий стіл пазом вгору.

2. Встановіть внутрішній фланець (d) правильно на вихідному валу (е) (мал. 3).
3. Встановіть шліфувальний круг (f) на внутрішній фланець (d). При установці шліфувального круга з піднятим центром, переконайтеся, що піднятий центр (g) дивиться на внутрішній фланець (d).
4. Затягніть зовнішній фланець (h) до вихідного валу (е) (мал. 4). При установці шліфувального круга, кільце поверх зовнішнього фланця (h) повинно дивитися на круг.
5. Натисніть на блокування шпінделя (b) і уникнете шпіндель (е) від обертання поки він не зафіксується в потрібному місці.
6. Використовуйте гайковий ключ, щоб затягнути зовнішній фланець (h).

Підготовка до використання

- Прикріпіть безпосередній кожух і відповідні абразивні або шліфувальні круги. Не використовуйте надмірно зношені абразивні або шліфувальні круги.
- Переконайтеся в тому, що внутрішні і зовнішні фланці закріплені правильно.
- Переконайтеся, що абразивні або шліфувальні круги обертаються в напрямку стрілок, вказаних на аксесуарах і інструменті.

Операція (мал. 5)

Інструкції



Попередження: Завжди дотримуйтесь інструкції з техніки безпеки та інших правил.



Попередження: Щоб звести до мінімуму небезпеку отримання серйозної травми, будь ласка, вимкніть живлення інструменту і відключіть усі вилки перед регулюванням або зняттям/установкою будь-якого аксесуара. Перед складанням інструменту натисніть і відпустіть курок вимикача, щоб переконатися, що інструмент вже вимкнений.



Попередження:

- Переконайтеся, що всі шліфовані матеріали закріплені в правильному положенні.
- Трохи натисніть на інструмент. Не використовуйте бічне натиснення на абразивний круг.

- Уникайте перевантаження. Якщо інструмент нагрівається, дайте йому пообертатися протягом декількох хвилин без навантаження.
1. Переконайтеся, що тримаєте інструмент щільно обома руками (однією рукою за корпус, другою за бокову ручку). Запустіть інструмент і проведіть шліфувальним кругом по заготівлі.
 2. Тримайте край круга під кутом від 15 до 30 градусів по відношенню до поверхні оброблюваної деталі.
 3. При використанні нового шліфувального круга, круг не повинен працювати в напрямку В, в іншому випадку, він може розрізати заготовку. Коли край круга був закруглений, ви можете використовувати шліфувальний верстат як у напрямку А, так і в напрямку В.

Запуск і зупинення (мал. 1)



Попередження: Перед використанням інструменту, перевірте, щоб ручка була надійно затягнута. Переконайтеся, що перемикач ВКЛ./ВИКЛ. працює нормально.

Перед включенням інструменту в джерело живлення, переконайтеся в тому, що перемикач знаходиться в положенні ВИКЛ. (о) при натисканні на задню частину перемикача.

Для запуску інструменту, натисніть на задню частину вимикача і посуňte його вперед. Потім натисніть на передню частину вимикача, щоб зафіксувати її. Натисніть на задню частину перемикача, щоб вимкнути інструмент.



Попередження: Не вмикайте та не вимикайте інструмент, коли він перебуває під навантаженням.

Правильне положення рук (рис. 6)



Попередження: Щоб зменшити ризик отримання серйозної травми, ЗАВЖДИ використовуйте правильне положення рук, як показано на малюнку.



Попередження: Щоб зменшити ризик отримання серйозної травми, ЗАВЖДИ міцно тримайте інструмент в очікуванні можливої раптової реакції.

Правильне положення рук під час роботи вимагає, щоб одна рука була на бічній рукоятці (мал. 1), тоді як інша на корпусі інструменту, як показано на малюнку 6.

Вимикачі



Застереження: Міцно тримайте корпус інструменту, зберігаючи контроль над інструментом при запуску і під час використання до тих пір, поки круг або аксесуар не перестане обертатися. Переконайтеся, що круг повністю зупинився, перш ніж покласти інструмент.

Примітка: Для зменшення несподіваного руху інструменту, не включайте і не вимикайте інструмент поки він знаходиться під навантаженням. Дайте шліфувальному верстату попрацювати на повну потужність, перш ніж доторкнутися їм до робочої поверхні. Підніміть інструмент від поверхні, перш ніж вимкнути його. Дайте інструменту зупинитися перш ніж покласти його.

Ковзний перемикач (мал. 1)

Попередження: Перед підключенням інструменту до джерела живлення, переконайтеся, що повзунок перемикача знаходиться у вимкненому положенні, натиснувши на задню частину перемикача і звільняючи його. Переконайтеся, що ковзний перемикач знаходиться у вимкненому положенні, як описано вище, після будь-якої перерви в подачі електроживлення на інструмент, наприклад, активації переривника замикання на землю, автоматичного виключення, випадкового відключення або збою живлення. Якщо положення перемикача заблоковано, коли підключено живлення, інструмент може включитися несподівано.

Для запуску інструменту посуňte ковзний перемикач (а) в напрямку передньої частини інструменту. Для зупинки інструменту, відпустіть повзунок перемикача. Для безперервної роботи, переведіть перемикач в бік передньої частини інструменту і натисніть на передню частину вимикача всередину. Для зупинки інструменту при роботі в безперервному режимі, натисніть на задню частину ковзного перемикача і відпустіть його.

Блокування шпинделя (мал. 1)

Блокування шпинделя (b) запобігає вихідному валу від обертання при установці або видаленні шліфувального круга. Використовуйте тільки блокування шпинделя, коли інструмент вимкнений, живлення відключено, і круг повністю зупинений.



Примітка: Для зменшення ушкоджень інструменту, не використовуйте блокування шпинделя, коли інструмент працює. В іншому випадку, це може призвести до пошкодження інструменту. Додаткові аксесуари можуть відірватися і нанести травму.

При використанні блокування шпинделя, натисніть кнопку блокування шпинделя і прокрутіть вихідний вал до упору.



Застосування на металах

При застосуванні інструменту на металах, переконайтеся, що пристрій захисного відключення (ПЗВ) вбудовано для запобігання небезпеки пошкодження металевою стружкою.

Якщо ПЗВ викликає відключення живлення, відправте інструмент для перевірки і ремонту в авторизований центр Stanley.



Попередження: При екстремальних умовах роботи, струмопровідна пил і пісок можуть накопичуватися всередині корпусу при роботі з металевими деталями. Це може створити небезпеку ураження електричним струмом, оскільки послаблює захисну ізоляцію шліфувального верстата.

Щоб уникнути накопичення металевої стружки всередині корпусу шліфувального верстата, ми рекомендуємо щодня очищати вентиляційні канали. Ознайомтеся з керівництвом з технічного обслуговування.

Використання шліфувальних кругів



Попередження: Металевий порошок накопичується. Надмірне використання шліфувального круга по металу може збільшити ризик ураження електричним струмом. Щоб зменшити ризик, вставте ПЗВ перед використанням і очищайте вентиляційні канали щодня. Дотримуйтесь інструкцій з технічного обслуговування для чищення вентиляційних каналів сухим стисненим повітрям.

Обслуговування

Електроінструменти Stanley були розроблені для роботи протягом тривалого періоду часу з мінімальним обслуговуванням. Термін служби і надійність забезпечуються правильним доглядом і регулярним чищенням.



Попередження: Щоб звести до мінімуму небезпеку отримання серйозної травми, будь ласка, вимкніть живлення інструменту і відключіть усі пробки перед регулюванням або зняттям/установкою будь-якого аксесуара. Перед складанням інструменту натисніть і відпустіть курок вимикач, щоб переконатися, що інструмент вже вимкнений.



Масило

Цей електроінструмент не вимагає окремого мастила.

Очищення



Попередження: Якщо ви можете бачити пил, що осів, на вентиляційних каналах і усередині корпусу, відразу ж використовуйте сухе повітря, щоб здути пил і пісок з внутрішньої частини корпусу. Використовуйте засоби захисту очей і обличчя при виконанні цього процесу.



Попередження: Ніколи не використовуйте розчинники або агресивні хімічні засоби для очищення неметалевих частин. Використовуйте тільки м'яке мило і вологу тканину, щоб очистити інструмент. Ніколи не допускайте попадання рідини всередину інструменту і ніколи не занурюйте будь-яку частину інструменту в рідину.

Аксесуари



Попередження: За винятком аксесуарів, що поставляються Stanley, всі інші аксесуари не були перевірені на сумісність з продуктом. Використання таких аксесуарів з даним інструментом може призвести до небезпечної ситуації. Щоб звести до мінімуму ризик отримання травми, ми рекомендуємо використовувати тільки аксесуари Stanley з цим продуктом.

Будь ласка, отримайте додаткову інформацію про відповідні аксесуари у свого дилера.

Повна гарантія терміном на два роки



Роздільний збір і утилізація. Цей продукт не слід утилізувати разом з побутовим сміттям.

Якщо ви зрозумієте, що ваш продукт Stanley потребує заміни, або якщо він не має ніякого подальшого застосування для вас, не викидайте його разом з побутовими відходами. Надайте цей продукт для роздільного збору/утилізації.



Роздільний збір продуктів і упаковок дозволяє здійснити їх переробку і використати їх повторно. Повторне використання

перероблених матеріалів допомагає захищати довкілля від забруднення і знижує витрату сировинних матеріалів.

Міське законодавство може забезпечити збір старих електроінструментів окремо від побутового сміття на муніципальних звалищах відходів або в торговому підприємстві при купівлі нового виробу. Stanley забезпечує можливість для збору і утилізації продуктів Stanley, як тільки вони досягли кінця свого терміну служби. Для того, щоб скористатися цією послугою, ви можете здати ваш виріб у будь-який авторизований сервісний центр, який збирає їх за нашим дорученням.

Ви можете упізнати місце знаходження вашого найближчого авторизованого сервісного центру, звернувшись в місцеве відділення Stanley за адресою, вказаною в цьому керівництві. Крім того, список авторизованих ремонтних агентів Stanley і повну інформацію про наше післяпродажне обслуговування і контакти ви можете знайти в Інтернеті: www.2helpu.com10

Два рік повної гарантії

Якщо ваш продукт STANLEY виходить з ладу із-за дефектних матеріалів або виготовлення впродовж 24 місяців з дати купівлі, STANLEY Europe гарантує заміну усіх несправних деталей безкоштовно або - на власний розсуд - заміну продукту безкоштовно за умови, що:

- Продукт використовувався правильно, його експлуатація проводилася строго відповідно до інструкції з експлуатації.
- Продукт піддавався звичайному зносу;
- Ремонт не проводився сторонніми особами;
- Представлені документи, що підтверджують купівлю.
- Продукт STANLEY повертається в повному комплекті з усіма оригінальними компонентами

Якщо ви хочете зробити заявку, зв'яжіться з продавцем або з'ясуйте місце знаходження вашого найближчого авторизованого сервісного агента Stanley в каталозі Stanley або зверніться в місцеве представництво Stanley за адресою, вказаною в цьому посібнику. Список авторизованих сервісних агентів Stanley і повну інформацію про наше післяпродажне обслуговування можна знайти в Інтернеті за адресою: www.stanleytools.com

STANLEY

Гарантійні умови

Шановний покупець!

1. Вітаємо Вас з покупкою високоякісного виробу STANLEY і висловлюємо вдячність за Ваш вибір.
2. При покупці виробу вимагайте перевірки його комплектності і справності у Вашій присутності, інструкцію з експлуатації та заповнений гарантійний талон українською мовою

В гарантійному талоні повинні бути внесені: модель, дата продажу, серійний номер, дата виробництва інструменту; назва, печатка і підпис торгової організації. За відсутності у Вас правильно заповненого гарантійного талону, а також при невідповідності зазначених у ньому даних ми будемо змушені відхилити Ваші претензії щодо якості даного виробу.

3. Щоб уникнути непорозумінь, переконливо просимо Вас перед початком роботи з виробом уважно ознайомитися з інструкцією з його експлуатації. Правовою основою справжніх гарантійних умов є чинне Законодавство. Гарантійний термін на даний виріб складає 24 місяці і обчислюється з дня продажу. У разі усунення недоліків виробу, гарантійний строк продовжується на період його перебування в ремонті. Термін служби виробу становить 5 років з дня продажу.
4. У разі виникнення будь-яких проблем у процесі експлуатації виробу рекомендуємо Вам звертатися тільки в уповноважені сервісні центри STANLEY, адреси та телефони яких Ви зможете знайти в гарантійному талоні, на сайті www.2helpU.com або дізнатися в магазині. Наші сервісні станції - це не тільки кваліфікований ремонт, але і широкий асортимент запчастин і аксесуарів.
5. Виробник рекомендує проводити періодичну перевірку і технічне обслуговування виробу в уповноважених сервісних центрах.
6. Наші гарантійні зобов'язання поширюються тільки на несправності, виявлені протягом гарантійного терміну і викликані дефектами виробництва та \ або матеріалів.
7. Гарантійні умови не поширюються на несправності виробу, що виникли в результаті:
 - 7.1 Недотримання користувачем приписів інструкції з експлуатації виробу, застосування виробу не за призначенням, неправильного зберігання, використання приладдя, витратних матеріалів і запчастин, що не передбачені виробником.
 - 7.2 Механічного пошкодження (відколи, тріщини і руйнування) внутрішніх і зовнішніх деталей виробу, основних і допоміжних рюкзоток, мережевого кабелю, що викликані зовнішнім ударним або будь-яким іншим впливом

- 7.3 Потрапляння у вентиляційні отвори та проникнення всередину виробу сторонніх предметів, матеріалів або речовин, що не є відходами, які супроводжують застосування виробу за призначенням, такими як: стружка, тирса, пісок, та ін.
- 7.4 Впливу на виріб несприятливих атмосферних і інших зовнішніх факторів, таких як дощ, сніг, підвищена вологість, нагрівання, агресивні середовища, невідповідність параметрів електромережі, що зазначені на інструменті.
- 7.5 Стихійного лиха. Пошкодження або втрати виробу, що пов'язані з непередбаченими лихами, стихійними явищами, у тому числі внаслідок дії непереборної сили (пожежа, блискавка, потоп і інші природні явища), а також внаслідок перепадів напруги в електромережі та іншими причинами, які знаходяться поза контролем виробника.
8. Гарантійні умови не поширюються:
 - 8.1. На інструменти, що піддавалися розкриттю, ремонту або модифікації поза уповноваженим сервісним центром.
 - 8.2. На деталі, вузли та матеріали, що мають сліди природного зносу, такі як: приводні ремені і колеса, вугільні щітки, мастило, підшипники, зубчасті зчеплення редукторів, гумові ущільнення, сальники, направляючі ролики, муфти, викикачі, бойки, штовхачі, стволи тощо.
 - 8.3. На змінні частини: патрони, цанги, затиски гайки і фланці, фільтри, акумуляторні батареї, ножі, шліфувальні підшви, ланцюги, зірочки, пильні шини, захисні кожухи, пилки, абразиви, пильні і абразивні диски, фрези, свердла, бури тощо
 - 8.4. На несправності, що виникли в результаті перевантаження інструменту (як механічного, так і електричного), що спричинили вихід з ладу одночасно двох і більше деталей і вузлів, таких як: ротора і статора, обох обмоток статора, веденої і ведучої шестерень редуктора або інших вузлів і деталей. До безумовних ознак перевантаження виробу відносяться, крім інших: поява кольорів мінливості, деформація або оплавлення деталей і вузлів виробу, потемніння або обуглювання ізоляції проводів електродвигуна під впливом високої температури.



Виробник:

"Stanley Black & Decker Deutschland GmbH" Black-&-Decker Str.40, D-65110 Idstein, Німеччина

ضمان شامل لعام اثنان

حماية البيئة

إذا وجد في منتج ستانلي عيوب تصنيع أو عيوب مواد في غضون ٢٤ شهراً من تاريخ الشراء، تضمن لك ستانلي يوروب استبدال كافة الأجزاء المعيبة دون مقابل أو - وفقاً لتقديرنا - استبدال الوحدة دون مقابل شريطة:

• عدم إساءة استخدام الجهاز وأن يكون الجهاز قد تم استخدامه وفقاً لدليل التعليمات:

• تعرض الجهاز للبلل العادي بالاستعمال:

• عدم القيام بأي إصلاحات بواسطة أشخاص غير معتمدين:

• تقديم إثبات للشراء:

• إعادة منتج ستانلي مكتملاً مع كافة مكوناته الأصلية

إذا كنت ترغب في إقامة دعوى، اتصل بالبائع أو تحقق من موقع أقرب وكيل إصلاح معتمد من ستانلي في دليل ستانلي أو اتصل بمكتب ستانلي المحلي على العنوان المشار إليه في الدليل. توجد قائمة بوكلاء الإصلاح المعتمدين من ستانلي وبياناتهم الكاملة لخدمات ما بعد البيع على موقع الإنترنت: www.stanleytools.com

فرز النفايات. يجب عدم وضع هذا المنتج مع النفايات المنزلية العادية.



إذا وجدت في يوم ما أنك بحاجة إلى استبدال منتج ستانلي، أو إذا لم تعد بحاجة إلى استخدامه، فلا تتخلص منه مع النفايات المنزلية. وقم بإتاحته للفرز.

يتيح فرز المنتجات المستخدمة وتغليفها بإعادة تدوير المواد واستخدامها مرة أخرى. حيث يساعد إعادة استخدام المواد المعاد تدويرها في منع التلوث البيئي ويقلل من الطلب على المواد الخام.



وقد تنص اللوائح المحلية على فرز المنتجات الكهربائية عن النفايات المنزلية في مواقع نفايات البلدية أو بواسطة بائع التجزئة عند شراء منتج جديد. وتوفر ستانلي مرافق لجمع وإعادة تدوير منتجات ستانلي حينما تصل إلى نهاية عمرها الافتراضي للعمل. للاستفادة من هذه الخدمة، برجاء إعادة المنتج إلى أي وكيل إصلاح معتمد يقوم بجمعها نيابة عنا.

يمكنك التحقق من موقع أقرب وكيل إصلاح معتمد من خلال الاتصال بمكتب ستانلي المحلي على العنوان المشار إليه في الدليل. وبدلاً من ذلك، توجد قائمة بوكلاء الإصلاح المعتمدين من ستانلي وبياناتهم الكاملة لخدمات ما بعد البيع وبيانات اتصالاتهم على موقع الإنترنت:

www.helpU.com

تحذير! لا تستخدم أي مذيبات أو كيماويات كاشطة مطلقاً في تنظيف الأجزاء غير المعدنية في هذا الجهاز، فقد تؤدي هذه الكيماويات إلى إضعاف المواد في هذه الأجزاء. استخدم فقط صابوناً مخففاً وقطعة قماش رطبة في تنظيف الجهاز. لا تسمح بدخول أي سائل إلى الأجزاء الداخلية للجهاز ولا تغمر أي جزء من أجزاء الجهاز في أي سائل.



تحذير! في حالات العمل المفرطة، قد يتجمع الغبار والأتربة الموصلة للتيار الكهربائي في الجزء الداخلي لغطاء المحرك أثناء العمل مع قطع العمل المعدنية. وقد يؤدي ذلك إلى زيادة مخاطر التعرض للصدمة الكهربائية حيث يضعف العزل الوقائي الموجود في الجلاخة.



الملحقات

تحذير! باستثناء الملحقات المقدمة من شركة ستانلي، لم يتم اختبار جميع الملحقات الأخرى للتحقق من توافقها مع المنتج. ومن ثم فقد يؤدي استخدام مثل هذه الملحقات مع الجهاز إلى حدوث مخاطر متعلقة بالسلامة. ولتقليل مخاطر التعرض لإصابات شخصية، نوصي باستخدام الملحقات المقدمة من شركة ستانلي فقط مع هذا المنتج.



لمزيد من المعلومات بخصوص الملحقات المناسبة للجهاز، يرجى مراجعة بائع التجزئة المحلي الخاص بكم.

لتفادي تراكم الشظايا المعدنية في الجزء الداخلي من الجلاخة، نوصي بتنظيف فتحات التهوية بشكل يومي. برجاء الاطلاع على قسم الصيانة في هذا الدليل.

استخدام عجلات التجليل

تحذير! يتراكم المسحوق المعدني. قد يؤدي الاستخدام المفرط لعجلة التجليل على المعادن إلى زيادة مخاطر التعرض للصدمة الكهربائية. ولتقليل هذه المخاطر، قم بتركيب قاطع الدورة قبل الاستخدام وقم بتنظيف فتحات التهوية بصفة يومية. اتبع تعليمات الصيانة الموضحة أدناه لنفخ الهواء الجاف المضغوط في فتحات التهوية.



الصيانة

صمم جهاز ستانلي للعمل لفترات طويلة بأقل صيانة ممكنة. ويعتمد التشغيل المقبول باستمرار على العناية المناسبة بالجهاز وتنظيفه باستمرار.

تحذير: لتقليل مخاطر التعرض للإصابات الشخصية الخطيرة، يرجى إيقاف تشغيل الجهاز الكهربائي وفصل جميع المقابس قبل تعديل أو إزالة / تركيب أي ملحق. وقبل إعادة تجميع الجهاز، اضغط على مفتاح التشغيل وحرره للتأكد من أن الجهاز لا يزال مفصلاً عن مصدر التيار الكهربائي.



التشحيم

لا يتطلب هذا الجهاز الكهربائي تشحيماً منفصلاً.



التنظيف

تحذير! بمجرد تراكم الغبار المرئي على فتحات التهوية والأجزاء المحيطة بها، استخدم الهواء الجاف فوراً لنفخ الغبار والأتربة بعيداً عن الجزء الداخلي للغطاء. ويجب عليك ارتداء واقي العينين وواقي حماية الوجه المناسبين عند تنفيذ هذه العملية.



ملحوظة: لتقليل الحركة غير المتوقعة للجهاز، لا تقم بتشغيل الجهاز أو إيقاف تشغيله أثناء التحميل عليه. وارك الجلاخة تصل إلى سرعتها الكاملة قبل ملامسة سطح العمل. وارفع الجهاز عن سطح العمل قبل إيقاف تشغيل الجهاز. وانتظر حتى يتوقف الجهاز تماماً عن الحركة قبل وضعه على الأرض.

المفتاح المنزلق (الشكل ١)

تحذيراً! قبل توصيل الجهاز بمصدر التيار الكهربائي، تأكد من أن المفتاح المنزلق في وضع إيقاف التشغيل عن طريق الضغط على مؤخرة المفتاح وتحريكها. وتأكد من أن المفتاح المنزلق في وضع إيقاف التشغيل كما هو موضح أعلاه بعد أي انقطاع في توصيل الطاقة إلى الجهاز، مثل تنشيط قاطع التيار الأرضي، أو تشغيل أحد قواطع الدارة، أو الفصل العارض للقياس أو انقطاع التيار الكهربائي. إذا كان المفتاح المنزلق مثبتاً على وضع التشغيل أثناء عودة التيار الكهربائي، فإن الجهاز سيعمل بشكل مفاجئ.

لتشغيل الجهاز، ادفع المفتاح المنزلق (أ) نحو مقدمة الجهاز. ولإيقاف تشغيل الجهاز، حرر المفتاح المنزلق. وللتشغيل المستمر، ادفع المفتاح نحو مقدمة الجهاز واضغط على مقدمة المفتاح. لإيقاف تشغيل الجهاز أثناء العمل في وضع التشغيل المستمر، اضغط على مؤخرة المفتاح المنزلق وحررها.

قفل محور الدوران (الشكل ١)

يعمل قفل محور الدوران على منع عمود الإخراج من الحركة أثناء تركيب أو إزالة عجلة التجليل. لا تستخدم قفل محور الدوران إلا إذا كان الجهاز في وضع إيقاف التشغيل ومفصولاً عن مصدر التيار الكهربائي والعجلة متوقفة تماماً.

ملحوظة: لتقليل تلفيات الجهاز إلى أدنى حد ممكن، لا تستخدم قفل محور الدوران إذا كان الجهاز في وضع التشغيل، وإلا فقد يؤدي ذلك إلى تلف الجهاز، حيث قد تنفصل الملحقات وتسبب إصابات شخصية.

عند استخدام قفل محور الدوران، اضغط على زر قفل محور الدوران وقم بلف عمود الإخراج إلى أن يتوقف.

استخدام الجهاز مع المعادن

عند استخدام الجهاز مع المعادن، تأكد من تركيب قاطع الدورة لمنع المخاطر الناجمة عن الشظايا المعدنية.

وإذا تسبب قاطع الدورة في فصل التيار الكهربائي، قم بإرسال الجهاز إلى إحدى المراكز التابعة لشركة ستانلي للصيانة.

٢. حافظ على ميلول سطح العجلة بزوايا من ١٥ إلى ٣٠ درجة على سطح قطعة العمل.

٣. عند استخدام عجلة تجليخ جديدة، لا تقم بتشغيل العجلة في الاتجاه (B)، وإلا فسوف تقوم بالقطع في قطعة العمل. عندما تصبح شفة العجلة مستديرة، تصبح لديك حرية تشغيل الجلاخة في أي من الاتجاهين (A) أو (B).

التشغيل وإيقاف التشغيل (الشكل ١)

تحذيراً! قبل استخدام الجهاز، تحقق من ربط المقبض الجانبي بإحكام، وتأكد مما إذا كان مفتاح التشغيل / إيقاف التشغيل يعمل بشكل طبيعي.



قبل توصيل الجهاز بمصدر التيار الكهربائي، تأكد من أن المفتاح في وضع إيقاف التشغيل (٠) عند الضغط على مؤخرة المفتاح.

لتشغيل الجهاز، اضغط على مؤخرة المفتاح وادفعه نحو الأمام، ثم اضغط على مقدمة المفتاح لتثبيته. ولإيقاف تشغيل الجهاز، اضغط على مؤخرة المفتاح.

تحذيراً! لا تقم بتشغيل الجهاز أو إيقاف تشغيله أثناء التحميل عليه.



الوضع الصحيح لليد (الشكل ٦)

تحذيراً! لتقليل مخاطر التعرض لإصابات شخصية خطيرة، استخدم دائماً الوضع الصحيح لليد كما هو موضح.



تحذيراً! لتقليل مخاطر التعرض لإصابات شخصية خطيرة، امسك الجهاز بشكل آمن وكن دائماً على استعداد لأي رد فعل مفاجئ.



يتطلب الوضع الصحيح لليد وضع إحدى يديك على المقبض الجانبي (الشكل ١) مع وضع اليد الأخرى على جسم الجهاز، كما هو موضح في الشكل ٦.

المفاتيح

تنبيه: احكم قبضتك على جسم الجهاز للحفاظ على تحكّمك في الجهاز عند التشغيل وخلال الاستخدام وحتى تتوقف العجلة أو الملحق الدوار عن الحركة تماماً. وتأكد من توقف العجلة عن الحركة تماماً قبل وضع الجهاز على الأرض.



تركيب الواقي

- الدوران حتى يثبت في مكانه.
٦. استخدم مفتاح الربط لإحكام ربط الشفة الخارجية (ح).

التجهيز قبل الاستخدام

- قم بتركيب واقي الحماية وعجلات السحج أو التجلخ المناسبة. لا تستخدم عجلات السحج أو التجلخ المتآكلة بشكل كبير.
- تأكد من أن الشفتين الداخلية والخارجية في وضعهما الصحيح.
- تأكد من أن عجلات السحج أو التجلخ يدوران في اتجاه الأسهم الموجودة على الملحقات أو الجهاز.

التشغيل (الشكل ٥)

التعليمات

تحذير! يُرجى دائماً مراعاة تعليمات السلامة والقواعد المنطبقة.



تحذير! لتقليل مخاطر التعرض للإصابات الشخصية الخطيرة، يُرجى إيقاف تشغيل الجهاز الكهربائي وفصل جميع المقابس قبل تعديل أو إزالة / تركيب أي ملحق. وقبل إعادة تجميع الجهاز، اضغط على مفتاح التشغيل وحرره للتأكد من أن الجهاز لا يزال مفصلاً عن مصدر التيار الكهربائي.

تحذير!

- تأكد من ربط جميع المواد المطلوب تجليخها بإحكام في مكانها الصحيح.
- اضغط برفق على الجهاز. لا تقم بالضغط الجانبي على قرص السحج.
- تجنب زيادة التحميل على الجهاز. في حالة ارتفاع درجة حرارة الجهاز، قم بتشغيله لعدة دقائق بدون حمل.
- ١. تأكد من الإمساك بالجهاز جيداً بكلتا يديك (إحدى يديك على الغطاء والأخرى على المقبض الجانبي). قم بتشغيل الجهاز وانزل بعجلة التجلخ على قطعة العمل.

تحذير! لا تقم بتشغيل الجهاز في حالة عدم وجود واقي الحماية في مكانه.



ملحوظة: يُرجى الاطلاع على مخطط ملحقات التجلخ الموجود في نهاية هذا القسم للتعرف على الملحقات التي يمكن استخدامها مع جلاخة الزوايا.

تركيب وإزالة عجلات التجلخ (الشكلان ٣ و ٤)

تحذير! لا تستخدم عجلات تجليخ تالفة.



١. ضع الجهاز على منضدة العمل على أن يكون اتجاه التجويف لأعلى.
٢. قم بتركيب الشفة الداخلية (د) بشكل صحيح على عمود الإخراج (هـ) (الشكل ٣).
٣. ضع عجلة التجلخ (و) على الشفة الداخلية (د). عند تركيب عجلة تجليخ ذات مركز مرتفع، يُرجى التأكد من أن المركز المرتفع (ز) يواجه الشفة الداخلية (د).
٤. احكم ربط الشفة الخارجية (ح) حتى عمود الإخراج (هـ) (الشكل ٤). عند تركيب عجلة التجلخ، ينبغي أن تكون الحلقة الموجودة أعلى الشفة الخارجية (ح) في اتجاه العجلة.
٥. اضغط على قفل محور الدوران (ب) وامنع عمود الدوران (هـ) من

لا تترك الجهاز في أيدي الأطفال، ولا يجوز للمشغلين غير الخبراء استخدام هذا الجهاز دون رقابة.

السلامة الكهربائية للجهاز

تم تصميم المحرك الكهربائي بحيث يتوافق مع جهد تيار كهربائي واحد فقط، لذا، ينبغي التأكد دائماً من توافق جهد التيار الكهربائي مع الجهد الموضح على لوحة التقنين.

إن جهاز ستانلي الخاص بك مزود بخاصية الغزل المزدوج، ومن ثم فإنه لا يحتاج إلى تأريض.



عند تلف الكبل الكهربائي، قم بإرسال الجهاز إلى أحد مراكز الخدمة التابعة لشركة ستانلي لاستبدال هذه الأسلاك.

استخدام كابلات تمديد

عند الحاجة إلى استخدام كابل تمديد، يُرجى اختيار كابل التمديد ثلاثي المراحل (3 فاز) الذي تم فحصه والتأكد من أنه يطابق الجهد الكهربائي الداخِل (انظر البيانات الفنية) لهذا الجهاز. وإن أدنى حجم للموصل هو ١,٥ ملم مربع وأقصى طول هو ٣٠ متر.

وعند استخدام بكرة كابل، تأكد من سحب الكابل بالكامل.

تجميع الجهاز وضبطه

تحذير: لتقليل مخاطر التعرض للإصابات الشخصية الخطيرة، يرجى إيقاف تشغيل الجهاز الكهربائي وفصل جميع المقابس قبل تعديل أو إزالة / تركيب أي ملحق. وقبل إعادة تجميع الجهاز، اضغط على مفتاح التشغيل وحرره للتأكد من أن الجهاز لا يزال مفصولاً عن مصدر التيار الكهربائي.



تركيب وإزالة واقي العجلة (الشكل ٢)

تحذير! لتقليل مخاطر التعرض للإصابات الشخصية الخطيرة، يُرجى إيقاف تشغيل الجهاز الكهربائي وفصل جميع المقابس قبل تعديل أو إزالة / تركيب أي ملحق. وقبل إعادة تجميع الجهاز، اضغط على مفتاح التشغيل وحرره للتأكد من أن الجهاز لا يزال مفصولاً عن مصدر التيار الكهربائي.

محتويات العبوة

تتضمن عبوة هذا المنتج ما يلي:

عدد ١ جلاخة زوايا

عدد ١ واقي

عدد ١ مجموعة شفاة

عدد ١ مفتاح براغي

عدد ١ مقبض

عدد ١ دليل تعليمات

- افحص الجهاز والأجزاء والملحقات للتأكد مما إذا لحقت بها أي أضرار أثناء النقل.
- خذ من وقتك وضع لحظات في قراءة هذا الدليل وافهمه جيداً قبل استخدام الجهاز.

الوصف (الشكل ١)

تحذير: لا تقم مطلقاً بتعديل الجهاز الكهربائي أو أي جزء منه، وإلا قد يؤدي ذلك إلى تلف الجهاز أو التعرض لإصابات شخصية.



١. مفتاح التشغيل / إيقاف التشغيل

٢. قفل عمود الدوران

٣. الواقي

الغرض من التصميم

تم تصميم جلاخة الزوايا هذه بشكل خاص لأغراض التجليخ.

لا تستخدم عجلات سفرة أو عجلات تجليخ أخرى بخلاف تلك التي لها مركز مضغوط.

لا تستخدم الجهاز في الظروف أو البيئات الرطبة في وجود سوائل أو غازات قابلة للاشتعال.

تم تصميم جلاخة الزوايا التي تعمل في ظروف شاقة هذه للاستخدام من قبل المتخصصين.

٥. لا تستخدم العجلات البالية التي تم استخدامها في أجهزة كهربائية أكبر، إذ أن العجلة المصممة لجهاز كهربائي أكبر لا تتناسب مع السرعة الأعلى للأجهزة الأصغر وقد تتحطم.
- المخاطر الكامنة**
- بالرغم من تطبيق قواعد السلامة ذات الصلة وتنفيذ جميع سبل السلامة، توجد بعض المخاطر الأخرى التي لا يمكن تفاديها، وتتضمن هذه المخاطر:
- ضعف السمع.
 - مخاطر التعرض لإصابات شخصية نتيجةً للشظايا المتطايرة.
 - مخاطر الحروق نتيجةً لارتفاع درجة حرارة الملحقات الناتجة عن التشغيل.
 - مخاطر التعرض لإصابات شخصية نتيجةً لاستخدام الجهاز لفترة طويلة.
 - مخاطر استنشاق الغبار الناتج عن المواد الخطرة.

الرموز الموجودة على الجهاز

قد تتضمن العلامات الموجودة على الأداة الرموز التالية:

عزل مزدوج من الفئة ٢		هرتز	Hz.....	اقرأ دليل التعليمات	
طرف أرضي		واط	W.....	استخدم واقي العين	
رمز تنبيه الأمان		دقيقة تيار متردد	min.....	استخدام واقي الأذن	
عدد الدورات أو الترددات في الدقيقة	.../min..	تيار مستمر	min.....	فولط	V
				مبير	A
				السرعة بدون حمل	N ₀

مكان رمز الباركود الخاص بالتاريخ

يوجد رمز الباركود الخاص بالتاريخ، بما في ذلك سنة الصنع، مطبوعاً على التبييئة.
على سبيل المثال:

XX JN ٢٠١٤
سنة الصنع

١. اقبض على الجهاز بقوة واجعل موضع جسمك وذراعك في وضع يتيح لك مقاومة قوى الارتداد. واستخدم دائماً المقبض الاحتياطي، إن كان متوفراً، للسيطرة المثلى على القوى الارتدادية أو ردة فعل العزم أثناء بداية التشغيل. ويمكن للمشغل السيطرة على القوى الارتدادية أو ردة فعل العزم باتخاذ الاحتياطات المناسبة.
- ب. لا تضع يدك بالقرب من الملحق الدوار إذ قد يرتد الملحق إلى يديك.
- ج. لا تركز جسمك في المنطقة التي سيتحرك إليها الجهاز عند حدوث الارتداد، حيث يدفع الارتداد الجهاز في الاتجاه المعاكس لحركة العجلة في وقت الضغط.
- د. توخ الحذر بشكل خاص عند التعامل مع الزوايا أو الحواف الحادة وغيرها. وتجنب ارتداد وضغط الملحق، حيث يمكن للزوايا أو الحواف الحادة أو الارتدادية أن تضغط الملحق الدوار وتتسبب في فقدان السيطرة على الجهاز أو ارتداده.
٥. لا تترك شفرة نحت الخشب بسلسلة المنشار أو شفرة المنشار المسننة إذ أن تلك الشفرات تتسبب في تكرار ارتداد الجهاز أو فقدان السيطرة عليه.

إرشادات السلامة الخاصة بعمليات التجليخ

١. لا تستخدم إلا أنواع العجلات الموصى بها لجهازك الكهربائي والواقي الخاص المصمم للعجلة المحددة. ويرجى العلم بأنه لا يتم حماية العجلات غير المصممة لاستخدامها مع الجهاز الكهربائي بالشكل المناسب، كما أنها تكون غير آمنة.
٢. يجب تركيب الواقي في الجهاز الكهربائي بإحكام ووضعه في المكان الذي يحقق السلامة القصوى للمشغل بحيث لا تنكشف العجلة تجاه المشغل إلا بأقل درجة ممكنة. ويساعد الواقي على حماية المشغل من شظايا العجلة المتطايرة ومن التلامس غير المقصود مع العجلة والشر الذي يؤدي إلى نشوب النار في الملابس.
٣. يجب عدم استخدام العجلات إلا في الاستخدامات الموصى بها. فمثلاً، لا تجليخ باستخدام جانب عجلة القطع إذ يتم تصميمه لأغراض التجليخ المحيطي، مع العلم بأن القوى الجانبية الواقعة على هذه العجلات قد تتسبب في تحطيمها.
٤. استخدم دائماً شفاه العجلة غير التالفة والتي يتوافق حجمها وشكلها مع العجلة المحددة، ويعمل اختيار شفاه العجلة المناسبة على دعم العجلة ومن ثم تقليل احتمالية تعرض العجلة للكسر. ويرجى العلم بأن شفاه عجلات القطع قد تختلف عن شفاه عجلات التجليخ.

مع الأسلاك المستترة أو الكابل الخاص بها. كما أن تلامس ملحق القطع بالكابلات "التي يسري بها التيار" قد يوصل التيار إلى الأجزاء المعدنية المكشوفة مما قد يعرض المشغل إلى مخاطر الإصابة بالصدمات الكهربائية.

ل. ابعاد الكابل عن الملحق الدوار لأنه في حالة فقدانك السيطرة على الجهاز، قد ينقطع السلك أو يتشابك ويؤدي إلى جذب يدك أو ذراعك إلى الملحق الدوار.

م. لا تضع الجهاز على الأرض مطلقاً إلا عند توقف الملحقات بالكامل، إذ أن الملحق الدوار قد يلتصق بالسطح ويفقدك السيطرة على الجهاز.

ن. لا تشغيل الجهاز أثناء حملك له بجانبك، إذ قد يؤدي التلامس غير المقصود مع الملحق الدوار إلى جذب ملابسك وشد الملحق إلى جسمك.

س. نظف فتحات الهواء بالجهاز بانتظام، حيث تجذب مروحة المحرك الغبار داخل المبيت ويؤدي تراكم الجسيمات المعدنية من خطورة التعرض للصدمات الكهربائية.

ص. لا تشغيل الجهاز بالقرب من المواد القابلة للاشتعال، إذ قد يتسبب الشرر المتطاير في اشتعال هذه المواد.

تعليمات السلامة الإضافية لجميع العمليات

أسباب الارتداد والتحذيرات المتعلقة بها

الارتداد هو رد فعل مفاجئ لضغط أو تمزق العجلة الدوارة أو وسادة الدعم أو الفرشاة أو أية ملحقات أخرى. ويؤدي الضغط أو التمزق إلى التوقف المفاجئ للملحق الدوار مما يؤدي بدوره إلى اندفاع الجهاز غير المتحكم به إلى الاتجاه المعاكس لدوران الملحقات في وقت التوقف المفاجئ.

فعل سبيل المثال، إذا تعرضت عجلة التجليخ للضغط أو التمزق بسبب قطعة العمل التي يتم جلبها، عندئذ تخترق شفة العجلة التي تدخل في نقطة الضغط سطح المادة مما يتسبب في ارتفاع أو ارتداد العجلة، وقد تتطاير العجلة نحو المشغل أو بعيداً عنه حسب اتجاه حركة العجلة في نقطة الضغط.

كما قد تنكسر عجلات التجليخ تحت هذه الظروف. ويحدث الارتداد نتيجة

إساءة استخدام الجهاز و/أو تطبيق إجراءات أو ظروف التشغيل غير

المناسبة، ويمكن تفاديه باتخاذ الاحتياطات المناسبة المبيّنة أدناه:

هـ. يشترط أن يكون القطر الخارجي للملحقات وسمكها في حدود السعة المقننة لجهازك، إذ لا يمكن حماية الملحقات ذات الأحجام غير المتطابقة أو التحكم بها بالشكل المناسب.

و. يجب أن يتوافق حجم تعريشة العجلات أو الشفاه أو وسائد الدعم أو أية ملحقات أخرى توافقاً تاماً مع عمود دوران الجهاز. وستعمل الملحقات ذات فتحات التعريشة غير المتوافقة مع عمود التركيب بالجهاز بشكل غير متوازن ودرجة اهتزاز كبيرة ويمكن أن تتسبب في فقدان السيطرة على الجهاز.

ز. لا تستخدم الملحقات التالفة وقم قبل كل عملية استخدام للجهاز بفحص الملحقات مثل عجلات التجليخ للتحقق من عدم وجود شظايا أو شقوق، إلى جانب فحص وسائد الدعم للتحقق من عدم وجود شقوق أو بلي أو استهلاك شديد، وفحص الفرشاة السلكية للتأكد من خلوها من أية تليفات أو شقوق أو أسلاك سائبة، وافحص الجهاز أو الملحقات في حالة سقوطها للتأكد من خلوها من التليفات أو قم بتركيب ملحقات أخرى غير تالفة. وقم عند فحص الملحقات وتركيبها بتشغيل الجهاز بأقصى سرعة بدون حمل لمدة دقيقة واحدة، بعد التأكد من الوقوف أنت ومن حولك بعيداً عن نطاق الملحقات الدوارة، إذ عادة ما تتفكك الملحقات التالفة خلال فترة الاختبار المذكورة.

ح. ارتد معدات الحماية الشخصية، ووفقاً لاستخدام الجهاز، استخدم واقي الوجه أو النوع المناسب من نظارات الحماية. وحيثما أمكن، ارتد قناع الوقاية من الغبار وواقي الأذن والقفازات وسترة الورشة المخصصة للحماية من الشظايا الناجمة عن التجليخ أو العمل، على أن تكون واقية العينين مصممة لمنع التعرض للشرر المتطاير من مختلف العمليات، وأن يكون قناع الوقاية من الغبار أو قناع التنفس مصمماً لترشيح الجسيمات الناتجة عن العمل. واعلم بأن التعرض لضوضاء عالية لفترات طويلة قد يتسبب في فقدان السمع.

د. احرص على وجود الأشخاص المتواجدين في منطقة العمل على مسافة مناسبة، ويجب على أي شخص يدخل منطقة العمل ارتداء معدات الحماية الشخصية، إذ قد تتطاير الشظايا الناتجة عن العمل أو كسر الملحقات وتصيب الأشخاص المتواجدين أبعد من نطاق العمل المباشر.

هـ. امسك الجهاز بواسطة الأسطح المعزولة المخصصة للإمساك بالجهاز فقط عند العمل بالجهاز، حيث من الممكن أن يتلامس ملحق القطع

- ج. تجنب التشغيل العرضي. احرص على أن يكون مفتاح التشغيل في وضع الإيقاف قبل توصيله بمصدر الطاقة و/أو غلبة البطارية أو قبل التقاط الجهاز أو حملة. قد تقع حوادث نتيجة حمل الأجهزة الكهربائية مع وضع الأصبع على مفتاح التشغيل أو توصيل الأدوات الكهربائية بالمقبس حينما يكون مفتاح التشغيل على وضع التشغيل.
- د. قم بإزالة أي مفتاح ضبط أو مفتاح ربط قبل تشغيل الجهاز فقد يؤدي ترك مفتاح الربط أو المفتاح عالقاً في الجزء الدوار بالجهاز إلى وقوع إصابات شخصية.
- هـ. لا تمد يدك بالجهاز لمسافة بعيدة. ضع قدميك في موضع مناسب واحتفظ بالتوازن المناسب في جميع الأوقات. حيث يتيح لك ذلك إمكانية التحكم بشكل أفضل في الجهاز في المواقف غير المتوقعة.
- و. ارتد ملابس مناسبة. لا ترتد الملابس الفضفاضة أو الحلي. احرص على إبقاء شعرك وملابسك وقفازاتك بعيدة عن الأجزاء المتحركة. فقد تسحب الأجزاء الدوارة الملابس الفضفاضة أو الحلي أو الشعر الطويل.
- ز. إذا كانت الأجهزة معدة للتوصيل بوسائل إزالة أو تجميع الأتربة، فاحرص على توصيلها واستخدامها بشكل مناسب. حيث إن استخدام وسائل جمع الأتربة قد يقلل من المخاطر المرتبطة بها.
- ح. ارتد ملابس مناسبة. لا ترتد الملابس الفضفاضة أو الحلي. احرص على إبقاء شعرك وملابسك وقفازاتك بعيدة عن الأجزاء المتحركة. فقد تسحب الأجزاء الدوارة الملابس الفضفاضة أو الحلي أو الشعر الطويل.
- ط. إذا كانت الأجهزة معدة للتوصيل بوسائل إزالة أو تجميع الأتربة، فاحرص على توصيلها واستخدامها بشكل مناسب. حيث إن استخدام وسائل جمع الأتربة قد يقلل من المخاطر المرتبطة بها.
- ث. لا تضع على الجهاز الكهربائي. استخدم الجهاز الكهربائي المناسب لاستعمالك. حيث إن استخدام الجهاز الكهربائي يؤدي المهمة بشكل أفضل وأكثر أماناً بالسرعة التي تم تصميمه من أجلها.
- ج. لا تستخدم الجهاز الكهربائي إذا كان المفتاح لا يقر بالتشغيل أو الإيقاف. حيث إن أي جهاز كهربائي لا يمكن التحكم فيه باستخدام مفتاح التشغيل/الإيقاف يكون خطيراً ويجب إصلاحه.
- د. أفضل المقبس من مصدر الطاقة و/أو غلبة البطارية من الجهاز الكهربائي قبل إجراء أي تعديلات أو تغيير أي ملحقات أو تخزين الجهاز الكهربائي. حيث تقلل تدابير السلامة الوقائية هذه من خطر تشغيل الجهاز دون قصد.
- هـ. قم بتخزين الأجهزة غير المستخدمة بعيداً عن متناول الأطفال ولا تسمح للأشخاص غير المتعاملين مع الأجهزة الكهربائية أو غير المطعنين على هذه التعليمات بتشغيل الجهاز الكهربائي. حيث يمثل وجود الأجهزة الكهربائية في أيدي المستخدمين غير المدربين خطراً عليهم.
- و. قم بصيانة الأجهزة الكهربائية. تحقق من أي اختلاف أو عائق في الأجزاء المتحركة أو كسر في الأجزاء أو أي حالة أخرى قد تؤثر على تشغيل الأجهزة. في حالة تعرض الأجهزة للتلف، قم بإصلاح الأجهزة قبل استخدامها. حيث تقع العديد من الحوادث بسبب الصيانة الرديئة للأجهزة.
- ز. احرص على حدة ونظافة أدوات القطع. من النادر أن تسبب أدوات القطع المحفوظة بشكل مناسب، مع الحفاظ على حدة حواف القطع، في إعاقة الحركة فضلاً عن سهولة التحكم فيها.
- ح. احرص على استخدام الجهاز الكهربائي والملحقات ولقم الجهاز وما إلى ذلك وفقاً لهذه التعليمات، مع الأخذ في الاعتبار ظروف العمل والعمل المطلوب تنفيذه. قد يؤدي استخدام الجهاز الكهربائي في عمليات غير المخصص من أجلها إلى وقوع مخاطر.
- ط. الصيانة
- ث. أ. قم بإصلاح وصيانة الجهاز بواسطة شخص مؤهل باستخدام الأجزاء البديلة المطابقة فقط. وسوف يضمن ذلك الحفاظ على سلامة الجهاز الكهربائي.
- ج. قواعد السلامة الإضافية الخاصة
- د. تعليمات السلامة لجميع العمليات
- هـ. تحذيرات السلامة العامة للتجليخ
- و. أ. هذا الجهاز مصمم للعمل بلاخ. يجب قراءة كافة تحذيرات وإرشادات وإيضاحات السلامة والمواصفات المتوفرة مع هذا الجهاز الكهربائي. قد يؤدي الإخفاق في اتباع كافة التعليمات المدرجة أدناه إلى التعرض لصدمة كهربائية و/أو نشوب حريق و/أو وقوع إصابات خطيرة.
- ب. لا يوصى بتنفيذ عمليات القطع أو السفر أو التنظيف بالفرشاة السلكية أو التلميع باستخدام هذا الجهاز الكهربائي. قد يؤدي استخدام الجهاز لتنفيذ عمليات غير التي تم تصميمه لأجلها إلى التعرض للخطر أو التسبب في وقوع إصابات شخصية.
- ج. لا تستخدم الملحقات غير المصممة بوجه خاص للجهاز أو التي لم يوص بها المصنّع. إذ أن قابلية تركيب الملحقات في الجهاز لا تضمن بالضرورة سلامة العمل بها.
- د. يجب ألا نقل السرعة المقننة للملحقات عن أقصى سرعة مقننة للجهاز ويؤدي تشغيل الملحقات بسرعة أكبر من السرعة المقننة إلى تفككها أو تطايرها.

احفظ كافة التحذيرات والتعليمات للرجوع إليها في المستقبل

البيانات الفنية

STGS9125	
جهد الدخل	واط 900
الجهد الكهربائي	فولط 220-240
التردد	هرتز 50/60
السرعة بدون حمل / السرعة المقننة	دقيقة ¹ 11.000
قطر العجلة	ملم 125
سمك عجلات التوجيه	ملم 6
نوع العجلة	27
قطر محور الدوران	M14
الوزن	كجم 2.2

التعريفات: إرشادات السلامة

توضح التعريفات المذكورة أدناه مستوى الخطورة الذي تنطوي عليه كل كلمة إشارية. يُرجى قراءة هذا الدليل والانتباه إلى تلك الرموز:

خطراً! يشير إلى موقف ينطوي على خطر وشيك والذي قد يؤدي، في حالة عدم تجنبه، إلى الوفاة أو إلى وقوع إصابة خطيرة.



تحذيراً! يشير إلى موقف ينطوي على خطر محتمل والذي قد يؤدي، في حالة عدم تجنبه، إلى الوفاة أو إلى وقوع إصابة خطيرة.



تنبيه! يشير إلى موقف ينطوي على خطر محتمل والذي قد يؤدي، في حالة عدم تجنبه، إلى إصابة بسيطة أو عادية.



إنذار! يُشير إلى سلوك ليست له علاقة بالإصابة الشخصية والذي قد يؤدي، في حالة عدم تجنبه، إلى تلف الممتلكات.

يُشير إلى خطر التعرض لصدمة كهربائية.



يُشير إلى مخاطر الحريق.



تحذير: لتقليل مخاطر التعرض للإصابة، يُرجى قراءة دليل التعليمات.



تحذيرات عامة عند استخدام الأجهزة الكهربائية

تحذير! اقرأ كافة التعليمات وكافة تحذيرات السلامة. قد يؤدي عدم اتباع التعليمات والتحذيرات الواردة أدناه إلى حدوث صدمة كهربائية أو حرق و/أو إصابة شخصية خطيرة.



تشير كلمة " الجهاز الكهربائي " في كافة التحذيرات الواردة أدناه إلى الجهاز الكهربائي الذي يعمل (بواسطة أسلاك) بواسطة الموصلات الرئيسية أو الجهاز الكهربائي الذي يعمل بواسطة بطارية (بدون أسلاك).

١. سلامة منطقة العمل

- أ. احرص على نظافة وإضاءة منطقة العمل بشكل جيد حيث تؤدي المناطق غير المنظمة والمظلمة إلى وقوع حوادث.
- ب. لا تشغيل الجهاز في أجواء قابلة للانفجار، مثلاً عند وجود سوائل أو غازات أو غبار قابل للاشتعال. فالأجهزة الكهربائية تطلق شرراً قد يؤدي إلى اشتعال الغبار أو الدخان.
- ج. احرص على إبعاد الأطفال والمتواجدين في منطقة العمل عن الجهاز الكهربائي. فقد يتسبب الإلهاء في فقدانك للسيطرة.

٢. السلامة الكهربائية

- أ. يجب أن تتطابق مقاييس الجهاز الكهربائي مع المنفذ. لا تقم بتعديل المقبس بأي حال. لا تستخدم أي مقاييس مهايئات مع أجهزة كهربائية (مؤرضة) سوف تؤدي المقابس غير المعدلة والمتنافذ المطابقة إلى تقليل خطر حدوث صدمة كهربائية.
- ب. تجنب ملامسة الجسد للأسطح المؤرضة مثل الأنابيب والمشعاع والثلاجات. فإذا تلامس الجسد بسطح مؤرض، فسوف يزداد خطر حدوث صدمة كهربائية.
- ج. لا تعرض الأجهزة الكهربائية للمطر أو لظروف رطبة. فإن دخول الماء إلى الجهاز الكهربائي يؤدي إلى زيادة خطر حدوث صدمة كهربائية.
- د. لا تسيء استخدام السلك. لا تستخدم السلك في حمل أو سحب الجهاز الكهربائي أو نزعه من المقبس. احرص على إبعاد السلك عن الحرارة والنفط والحواف الحادة أو الأجزاء المتحركة. حيث إن الأسلاك التالفة أو المتشابكة تزيد من خطر حدوث صدمة كهربائية.

هـ. عند تشغيل الجهاز في الخارج، استخدم سلك تمديد مناسب للاستخدام الخارجي حيث إن استخدام سلك مناسب للاستخدام الخارجي يقلل من خطر حدوث صدمة كهربائية.

و. إذا كان يجب تشغيل الجهاز الكهربائي في مكان رطب، فاستخدم موصل محمي لقاطع الدائرة (RCD). إن استخدام قاطع الدائرة يقلل من خطر حدوث صدمة كهربائية.

٣. السلامة الشخصية

أ. توخ الحذر وراقب ما تقوم به واستخدم حسك العام عند تشغيل جهاز كهربائي. لا تستخدم أي جهاز كهربائي حينما تكون مرهقاً أو تحت تأثير المخدرات أو الكحول أو الدواء. قد تؤدي لحظة عدم انتباه واحدة أثناء تشغيل الأجهزة الكهربائية إلى وقوع إصابة شخصية خطيرة.

ب. استخدم معدات الحماية الشخصية. احرص دوماً على ارتداء واقي العينين. إن استخدام معدات الحماية مثل قناع الأتربة وأحذية السلامة المقاومة للانزلاق والوذعة الصلبة وواقي الأذن في الظروف المناسبة يقلل من وقوع الإصابات الشخصية.

Figure 4

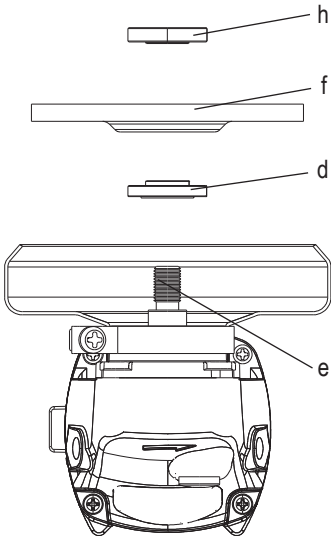


Figure 5

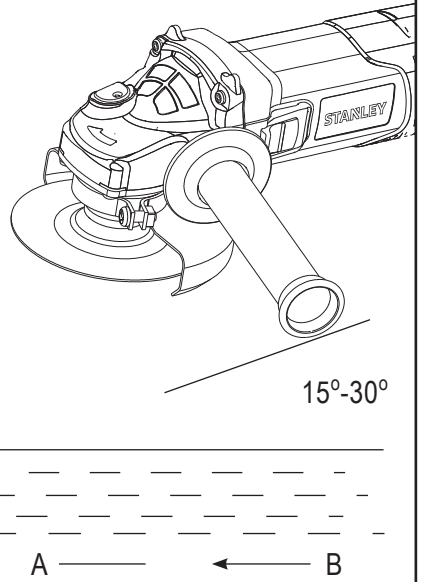


Figure 6

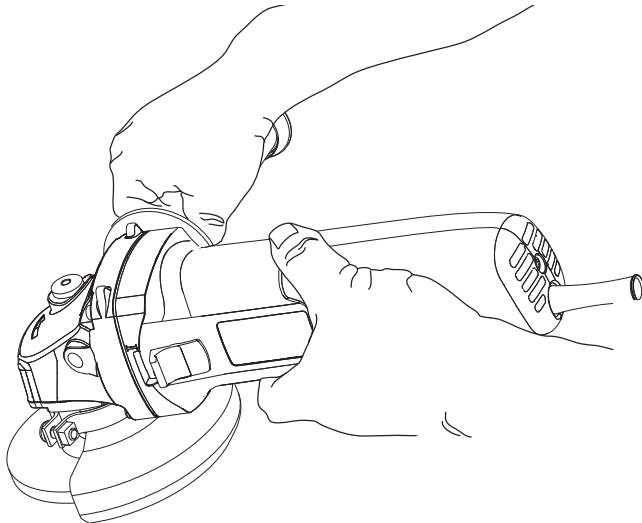


Figure 1

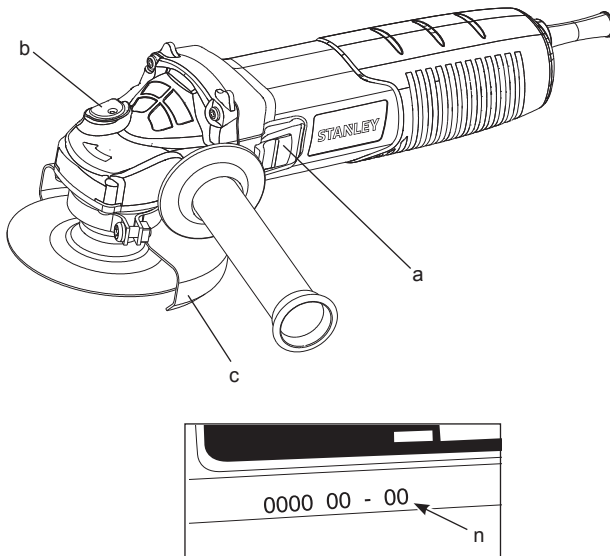


Figure 2

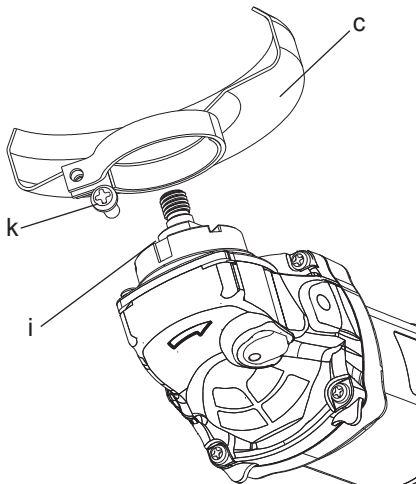
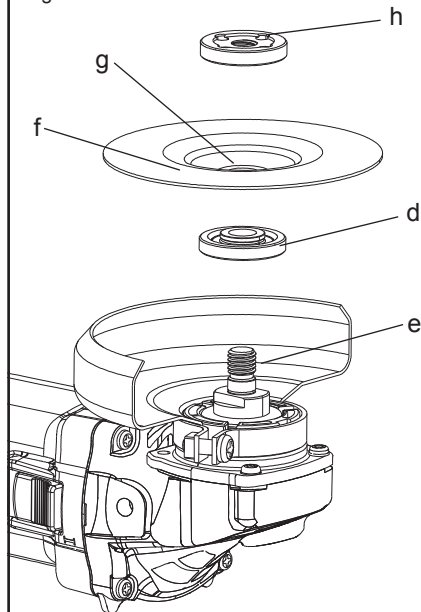


Figure 3



Names & Addresses for STANLEY Service Concessionaries - MIDDLE EAST & AFRICA

ALGERIA: Sari Outillage Corporation, 08 Rue Med Boudiaf - Cheraga - Algiers, Algeria. Tel: (213-21) 375130, Fax: (213-21) 369667. **ANGOLA:** Angoferraria, Lda., Rua Robert Shields, No. 61, Luanda, Angola. Tel: 00244-222-395837 / 222-395034, Fax: 00244-222-394790. **AZERBAIJAN:** Royalton Holdings Ltd. 41 Khagani St. Apt. 47 AZ 1001, Baku. Tel: (994-12) 4935544, Fax: (994-12) 5980378. **BAHRAIN:** Kavalani & Sons W.L.L., P.O. Box 71, Sitra, Manama, Tel: (973) 17732888, Fax: (973) 17737379. **Alfouz Services Co. W.L.L.,** P.O. Box 26562, Tubli, Manama, Tel: (973) 17783562, Fax: (973) 17783479. **Egypt:** El Farab S.A.E., 15-Nabil El Wakkad Street, Dokki, Giza, Egypt, Tel: 00202-37603946 / 002-010-2582544, Fax: 00202-33352796. **ETHIOPIA:** Seif Tewfik Sherif, Arada Sub-City, Kebele 01/02, Global Insurance Building, 2nd Floor, Room 43, P.O. Box 2525, Addis Ababa, Ethiopia. Tel: (251-11) 1563968 / 1563969, Fax: (251-11) 1558009. **IRAQ:** Financial Links, Kazzaz Building Ararat Al-Hindia Block No: 629 Street: 31Building No: 1 Baghdad - Iraq. Tel: 00964 (0)780 195 2223 / 00964 (0)781 3763044, Al Sard Co. for General Trading Ltd. Jbara Bldg, 3Flr, Al Rasheed St. Bagdad, Tel: (964) 18184102. Sakhar Group, Arrasat al-hindya Al Masbah, Bagdad. (964) 7400144446. **JORDAN:** Palestine Bldg. Matl. (Bashiti Hardware), 93 King Abdullah 2nd Street, Opp. ELBA House, P.O. Box 3005, Amman 11953, Tel: (962-6) 5349098, Fax: (962-6) 5330731. **KENYA:** Dextron Tools Ltd., P.O. Box 20121-00200, Shariff House, Kimathi Street, Nairobi. Tel: (254-20) 6950000 / 2358021, Fax: (254-20) 6905111 / 6905112. **KUWAIT:** Al Omar Technical Co., P.O. Box 4062, 13041 Safat, Kuwait, Tel: (965) 24848595 / 24840039, Fax: (965) 24845652. **Fawaz Al Zayani Establishment, P.O. Box 42426, Shop No. 18, Al Humaizi Commercial Complex, Khalifa Al Jassim, Shuwaikh, Kuwait. Tel: (965) 24828710, Fax: (965) 24828716. Fawaz Al Zayani Establishment, P.O. Box 42426, Shop No.18, Al Humaizi Commercial Complex, Khalifa Al Jassim, Shuwaikh, Kuwait, Tel: (965) 24828710, Fax: (965) 24828716. Fawaz Al Zayani Establishment, Fahaeel Industrial Area, Main St., Sanaya, Kuwait, Tel: (965) 23925830, Fax: (965) 24828716. **LEBANON:** Est. Shaya & Azar S.A.R.L., Boulevard Jdeideh - Mar Takla - Bouchrieh .P.O. Box 90545 Jdeideh.Beirut - Lebanon, Tel: 00961 1 872305 / 306 , Fax: 00961 1 872303. **LIBYA:** North Africa Trading (El Ghoul Brothers), AlHilal Service Center Tawergha St. Misurata, Tel: 00218-091-3221408. (**Benghazi**) Sniydel st., Amr Ibn EL-Aas Rd. Tel: (+218) 92 5771120. (**Tripoli**) Al Barniq Service Center, Mokhazin elsukar st., ElFallah, Tel: (+218) 21 48808019. (**Misrata**) Al Hilal Service Center, Tawergha st. Tel: (+218) 51 2626743. **MAURITIUS:** Robert Le Marie Limited, Old Moka Road, Bell Village, P.O. Box 161, Port Louis, Tel: 00230-212 1865 / 212 2847, Fax: 00230-2080843. **MOROCCO:** Ets Louis Guillaud & Cie, 149, Quartier Industriel, Moulay Rachid, Casablanca, Postal Code 20450, Morocco, Tel: 00212-522729233, Fax: 00212-522729096. **NIGERIA:** Meridian Power Tools Ltd., Gr.Floor, #1 Alhaji Masha Rd, Next to Teslim Balogun Stadium, Near National Stadium Surulere, Lagos, Nigeria, Tel: 00234-17740341 / 7740410, Fax: 00234-17913798. **OMAN:** Al Jizzi Company LLC, P.O. Box 1704, PC 112 Ruwi, Oman, Tel: (968) 24832618 / 24835153, Fax: (968) 24831334/24836460. Al Hassan Technical & Construction Supplies Co. LLC, P.O. Box 1948, P.C. 112, Ruwi, Tel: (968) 24810575 / 24837054, Fax: (968) 24810287/24833080. Oman Hardware Co. LLC, P.O. Box 635, Ruwi Postal Code 112, Tel: (968) 24815131, Fax: (968) 24816491. Khimji Ramdas, P.O. Box 19, Post Office No. 0, Ghala, Muscat, Oman. Tel: (968) 24595906 / 907, Fax: (968) 24852752. Oman Marketing & Service Co. (Omasco), P.O. Box 2734, Behind Honda Showroom, Wattayah, Oman. Tel: (968) 24560232 / 24560255, Fax: (968) 24560993. Oman Marketing & Service Co. (Omasco), Al Ohi, Sohar, Oman. Tel: (968) 26846379, Fax: (968) 26846379. Oman Marketing & Service Co. (Omasco), Sanaya, Salalah, Oman, Tel: (968) 23212290, Fax: (968) 23210936. **PAKISTAN:** ZIT Co - Nasir & Bros., 2nd Floor, Qadri Center, Chokwal Dalgran Railway Road, Lahore, Pakistan, Tel: 0092 42 37670839, Fax: 0092 42 37652989. Ammar Service & Spares, 60-Bank Arcade, Serai Road, Karachi, Pakistan. Tel: (92-21) 32426905, Fax: (92-21) 32427214. **QATAR:** Teyseer Industrial Supplies & Services Co. W.L.L, 55, Al Wakalat St. (Between St. 18 & 19) Salwa Industrial Area. P.O. Box 40523 Doha, Qatar. Tel: (974) 4460230 / 44605156, Fax: (974) 44682024. Shaheen Electrical Works & Trading Co. W.L.L, Gate 34, St. 44 Industrial Area P.O. Box 9756, Doha, Tel: (974) 44600230 / 44600525, Fax: (974) 44601338. Al Muftah Service Centre, Al Wakrah Road, P.O. Box 875, Doha, Qatar, Tel: (974) 44650880 / 44650110 / 44446868, Fax: (974) 44441415 / 44662599. **SAUDI ARABIA: (Al Bahr)** Mohamed Ahmed Bin Aff Est., P.O. Box 530, Yanbu, Al Bahr. Tel: (966-4) 3222626 / 3228867, Fax: (966-4) 3222210. (**Al Khobar**) Fawaz Ebrahim Al Zayani Trading Est., P.O. Box 76026, Al Khobar # 31952, Tel: (966-3) 8140914, Fax: (966-3) 8140824. MSS (Al-Mojil Supply & Services) P.O. Box 450, Jubail 31951, Opp. Gulf Bridge Library & Riyadh House, Tel: (966-3) 3612850 / 3624487 / 3621729, Fax: (966-3) 3623589 / 3620783. (**Dammam**) MSS (Al-Mojil Supply & Services), P.O. Box 450, Jubail 31951, Opp-Gulf Bridge Library & Riyadh House, Tel: (966-3) 3612850 / 3624487 / 3621729, Fax: (966-3) 3623589 / 3620783. Al Bawardi Tools & Hardware, P.O. Box 112, Dammam, Tel: (966-3) 8330780 Ext.24 / 8348585 Ext. 24 / +966-3-8335555, Fax: (966-3) 8336303. (**Al Hassa**) Mutawa Trading & Gen. Services, Maliki road Hafuf city, Al Hassa, KSA. Tel: (966) 502846275 (**Jeddah**) Al Bawardi Tools & Hardware, P.O. Box 16905, Jeddah 21474, Tel: (966-2) 6444547 / 6439035 / 64560095, Fax: (966-2) 6439024. EAC (Al Yousef Contg. & Trdg. Est.), P.O. Box 30377, Jeddah -21477, Tel: (966-2) 6519912, Fax: (966-2) 6511153. (**Madina**) Garziz Trading for Bldg Mat & Decoration, P.O. Box 3364, Madina, Tel: (966-4) 826 14 90 / 8227636, Fax: (966-4) 8265741. (**Riyadh**) Industrial Material Organization (IMO), P.O. Box 623, 1st Street, Riyadh, Tel: (966-1) 4028010 Ext 26 / 8001245757, Fax: (966-1) 4037970. Sultan Garment Factory (RSC), P.O. Box 29912, Riyadh 11467, KSA, Tel: (966-1) 4055148 / 4042889, Fax: (966-1) 4055148. Al Bawardi Tools & Hardware, P.O. Box 68, Riyadh 11411, Tel: (966-1) 4484999, Fax: (966-1) 4487877. (**Yanbu**) Fawaz Ebrahim Al Zayani, Opposite to Al Fouzan, Jeddah highway or King Abdul Aziz road, Yanbu. Tel: (966-4) 3960980, Fax: (966-4) 3961980. Mohamed Ahmed Bin Aff Est., P.O. Box 530, Yanbu, Al Bahr, Tel: (966-4) 3222626 / 3228867, Fax: (966-4) 3222210. **SOUTH AFRICA:** Stanley Black & Decker - RSA, 199 Winze Drive Stormil Exit 9 Rooodepoort, Tel: (2711) 472 0454, Fax: (2711) 472 0482. Trecco Power Tool Service 14 Steenbok Street, Koedoespoort, 0186, Pretoria, South Africa. Tel: (27-86) 1873826, Fax: (27-86) 5001771. **TANZANIA:** General Motors investment Ltd., P.O. Box 16541, 14 Nyerere Road, Vingunguti, Dar-es-Salaam. Tel: (255 22) 2862661 / 2865022, Fax: (255 22) 2862667. **TUNISIA:** Societe Tunisienne De Maintenance (STM), Rue de la Physique, Nouvelle Zone Industrielle Ben Arous, 2013 Ben Arous, Tunisia. Tel: (+216) 79 389687, Fax: (+216) 71 385154. **UAE: (Abu Dhabi)** Light House Electrical, P.O. Box 120, Abu Dhabi, Tel: (971-2) 6726131, Fax: (971-2) 6720667. Galaxy Equipment Trading, Madinat Zayed (Baada Zaid), Abu Dhabi P.C. 58910, Tel: (971-2) 8844279, Fax: (971-2) 8844297 (**Ajman**) Al Sukoon Gen. Trdg. Co. LLC, P.O. Box 2975, Ajman, Tel: (971-6) 7435725 / 7438317, Fax: (971-6) 7437350, Al Sukoon Gen. Trdg. Co. LLC, P.O. Box 2975, Ajman, Tel: (971-6) 7435725 / 7438317, Fax: (971-6) 7437350 (**Al Ain**) Zillion Equipment and Spare Parts Trading LLC, P.O. Box 19740, Opp. Bin Sadal/ Trimix Redymix Sanaiya, Al Ain, Tel: (971-3) 7216690, Fax: (971-3) 7216103. (**Dubai**) Black & Decker (Overseas) GmbH, P.O. Box 5420, Dubai, Tel: (971-4) 8127400 / 8127406, Fax: (971-4) 81272765. Ideal Star Workshop Eqpt.Trading LLC, P.O. Box 37116, Al Quoz, Dubai, Tel: (971-4) 3474160, Fax: (971-4) 3474157, Fine Tools, P.O.Box 30139 , Al Quoz, Dubai, Tel: (971-4) 3385240, Fax: (971-4) 3385239, Alebrah Engineering Service, P.O. Box 78954, Al Qusais , Dubai, Tel: (971-4) 2850044, Fax: (971-4) 2848402. (**Musaffah**) Light House Electrical, P.O. Box 120, Abu Dhabi, Tel: (971-2) 5548315, Fax: (971-2) 5540461. (**Sharjah**) Mc Coy Middle East LLC, P.O. Box 25793, Sharjah, Tel: (971-6) 5395931, Fax: (971-6) 5395932. Burj Al Madeena, Industrial Area No.1, Opp. Pakistani Masjid, P.O. Box 37635, Sharjah, Tel: (971-6) 5337747, Fax: (971-6) 5337719. Burj Al Madeena , Industrial Area No 1, opp Pakistani Masjid P.O. Box 37635, Sharjah, Tel: (971-6) 5337747, Fax: (971-6) 5337719 (**Ras Al Khaimah**) Mc Coy Middle East LLC, P.O. Box 10584, Ras Al Khaimah, Tel: (971-7) 2277095, Fax: (971-7) 2277096. **UGANDA:** The Building Center (U) Ltd., 52 Station Road, Kitgum House, P.O. Box 7436, Kampala, Uganda, Tel: (256-41) 4234567 / 4259754, Fax: (256-41) 4236413. **YEMEN: (Aden)** Middle East Trd. Co. Ltd. (METCO), Mualla Dakka, Aden, Yemen. Tel: (967-2) 222670, Fax: (967-2) 222670. (**Sana'a**) Middle East Trd. Co. Ltd. (METCO), Hayel St., Sana'a, Yemen. Tel: (967-1) 204201, Fax: (967-1) 204204. (**Taiz**) Middle East Trading Co. (METCO), P.O. Box 12363, 5th Flr, Hayel Saeed Anam Bldg, Al-Mugamma St. Taiz, Yemen. Tel: (967-4) 213455, Fax: (967-4) 219869.**